

6200V - PANIC & 6200VF - FIRE LABELED SVR EXIT DEVICE MODELS FOR 2-1/4" BACKSET FROM STOP

6200 SERIES EXIT DEVICES (BACKSET MATCHES RIM DEVICES WITH 629036 STRIKE)

TEMPLATE: 629311

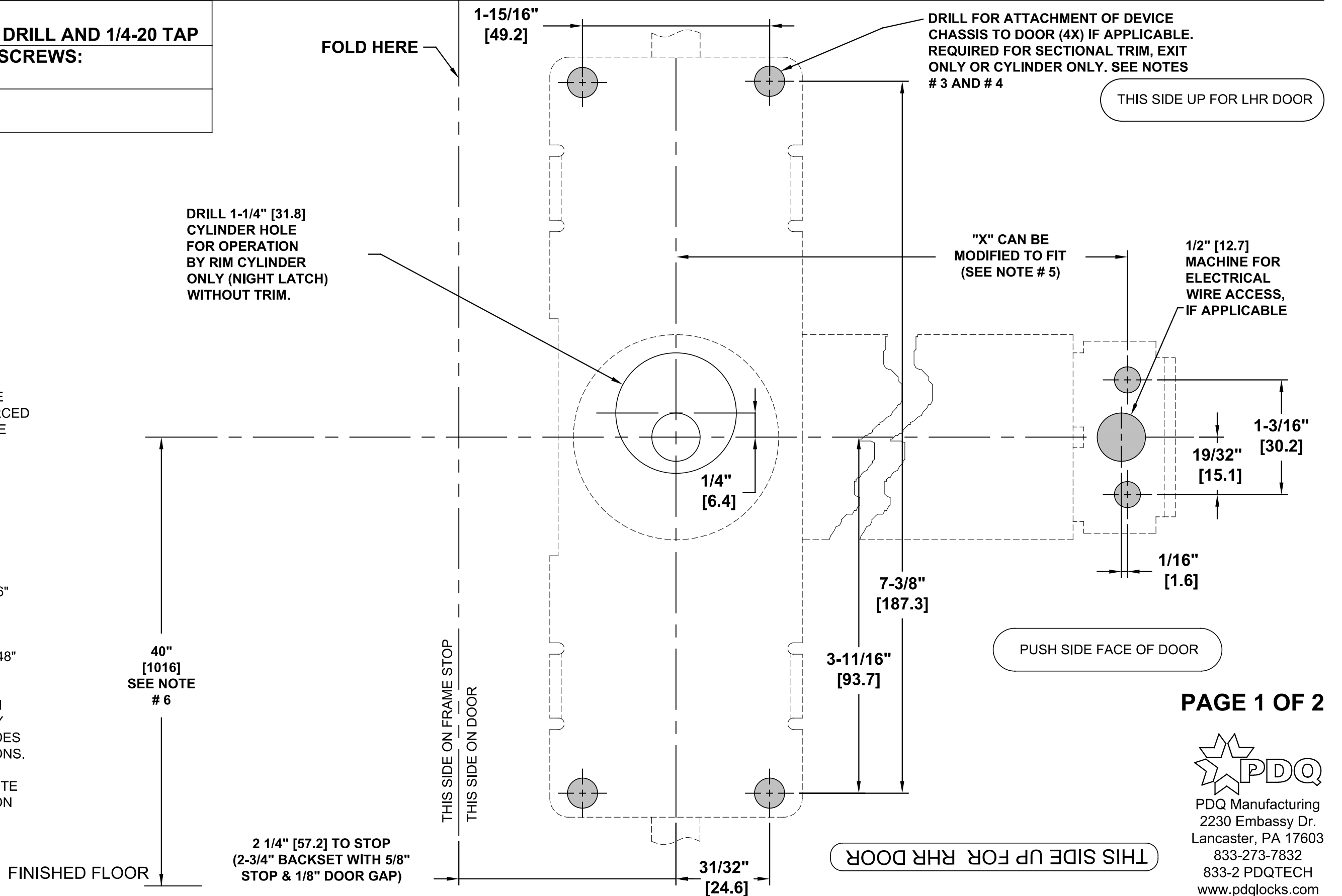
REV. 4 1-29-18

MACHINE SCREWS: USE #7 OR 13/64" [5.1] DRILL AND 1/4-20 TAP
WOOD DOOR/FRAME SCREWS: USE 5/32" [4.0] DRILL
SEX NUTS: USE 3/8" [9.5] DRILL

NOTES:

1. VERIFY PRINTED TO SCALE.
2. DIMENSIONS IN **INCHES** [MM].
3. CAUTION: SEX NUTS MAY BE REQUIRED FOR UNREINFORCED DOORS OR COMPOSITE FIRE DOORS. CONSULT DOOR MANUFACTURER'S RECOMMENDATIONS.
4. SEE TRIM TEMPLATE (IF APPLICABLE) FOR RELATED MACHINING DETAILS.
5. DIMENSION "X" MEASURES 31-1/4" [793.8] UNCUT FOR 36" [914.4] DOORS.

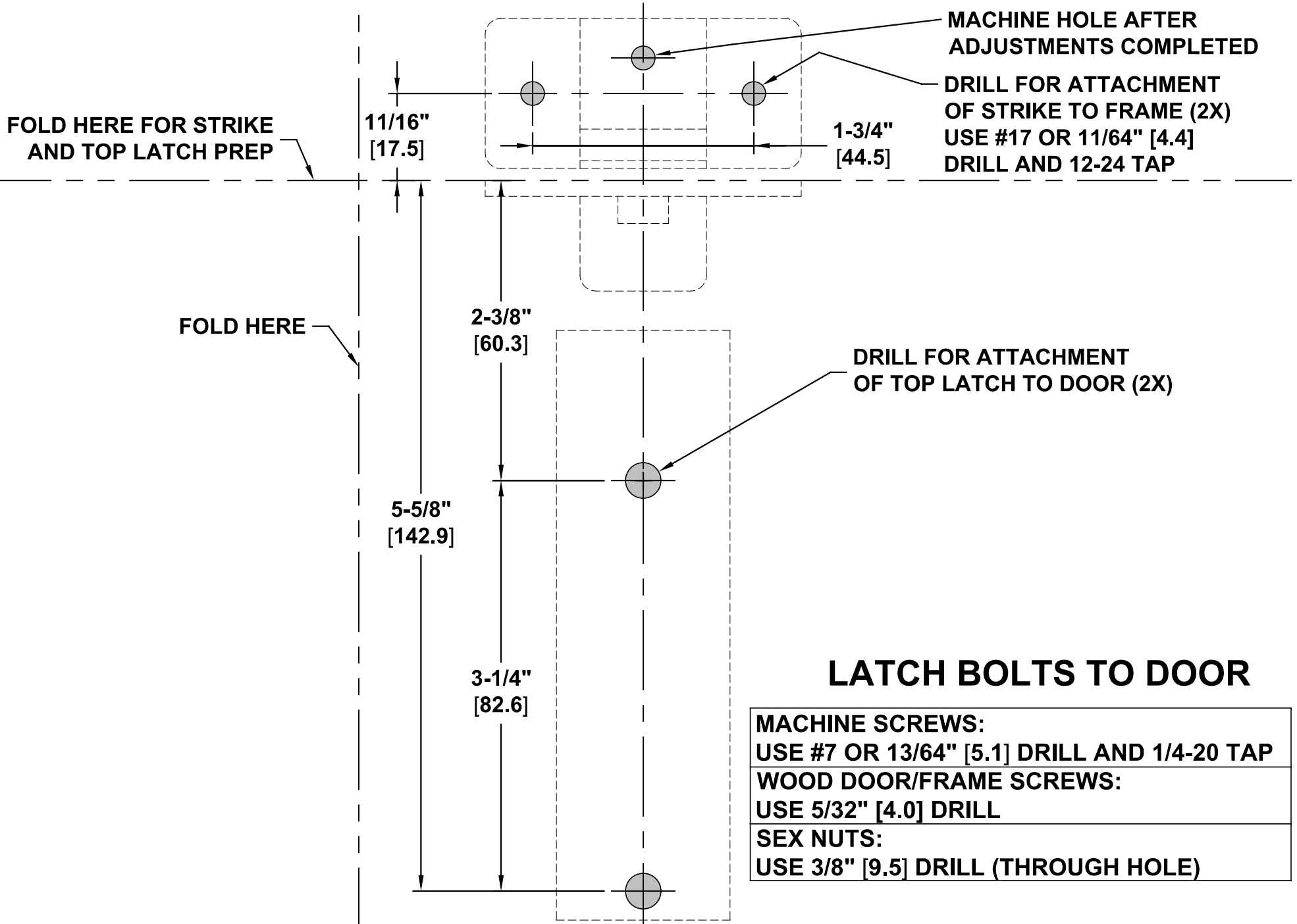
DIMENSION "X" MEASURES 43-1/4" [1098.6] UNCUT FOR 48" [1219.2] DOORS.
6. RECOMMENDED DIMENSION FROM FINISHED FLOOR MAY VARY BY APPLICATION, CODES OR BUILDING SPECIFICATIONS.
7. ALWAYS CHECK PDQ WEBSITE FOR MOST RECENT REVISION AT WWW.PDQLOCKS.COM



PAGE 1 OF 2



PDQ Manufacturing
2230 Embassy Dr.
Lancaster, PA 17603
833-273-7832
833-2 PDQTECH
www.pdqlocks.com



LATCH BOLTS TO DOOR

MACHINE SCREWS: USE #7 OR 13/64" [5.1] DRILL AND 1/4-20 TAP
WOOD DOOR/FRAME SCREWS: USE 5/32" [4.0] DRILL
SEX NUTS: USE 3/8" [9.5] DRILL (THROUGH HOLE)

