

6202R/RA - NARROW STILE PANIC RIM EXIT DEVICE MODELS 1 5/8" BACKSET FROM MULLION

6202 SERIES EXIT DEVICES WITH 629036 STRIKE

TEMPLATE: 629332

REV. 0 12-5-18

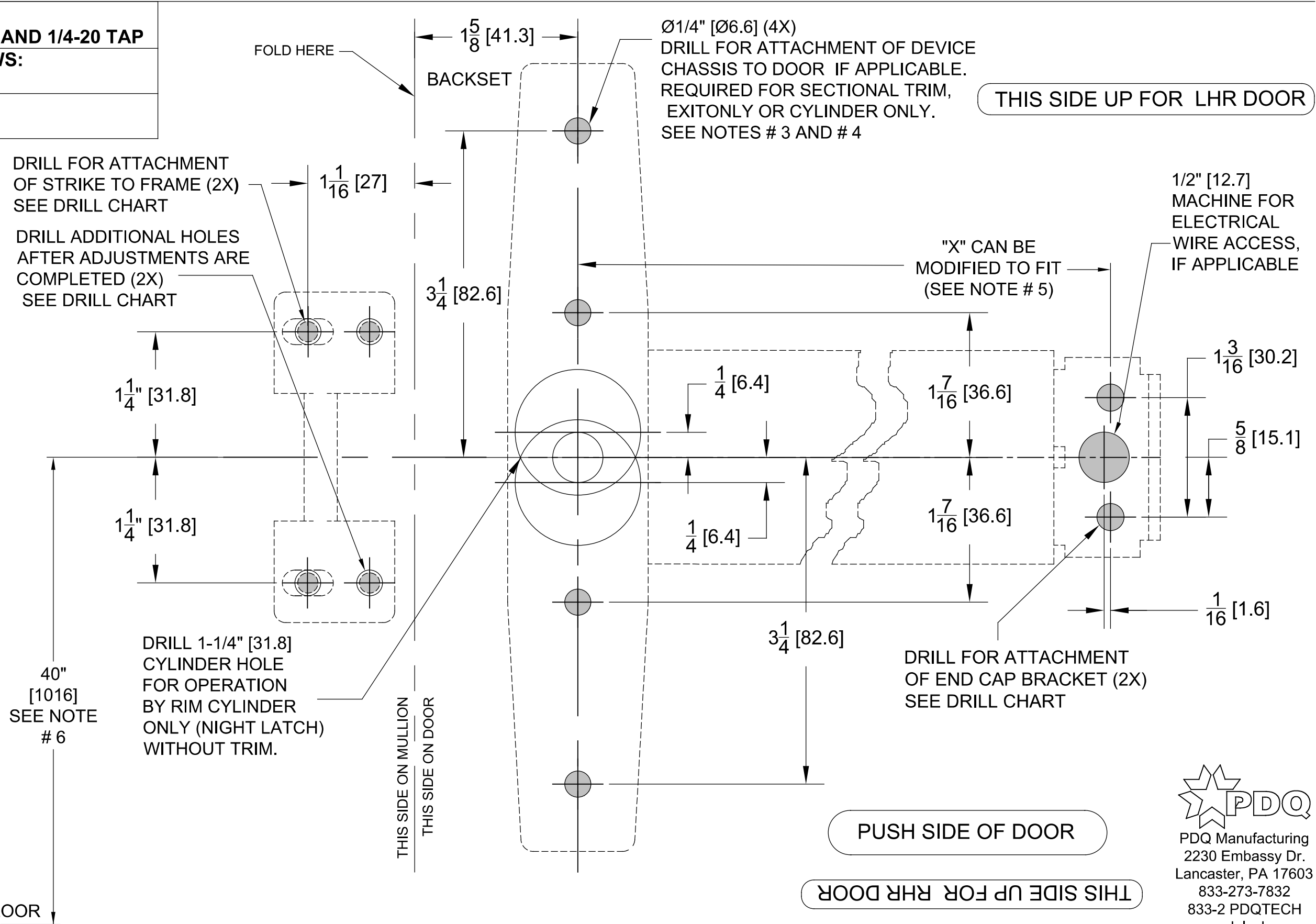
PAGE 1 OF 2

MACHINE SCREWS: USE #7 OR 13/64" [5.1] DRILL AND 1/4-20 TAP
WOOD DOOR/FRAME SCREWS: USE 5/32" [4.0] DRILL
SEX NUTS: USE 3/8" [9.5] DRILL

NOTES:

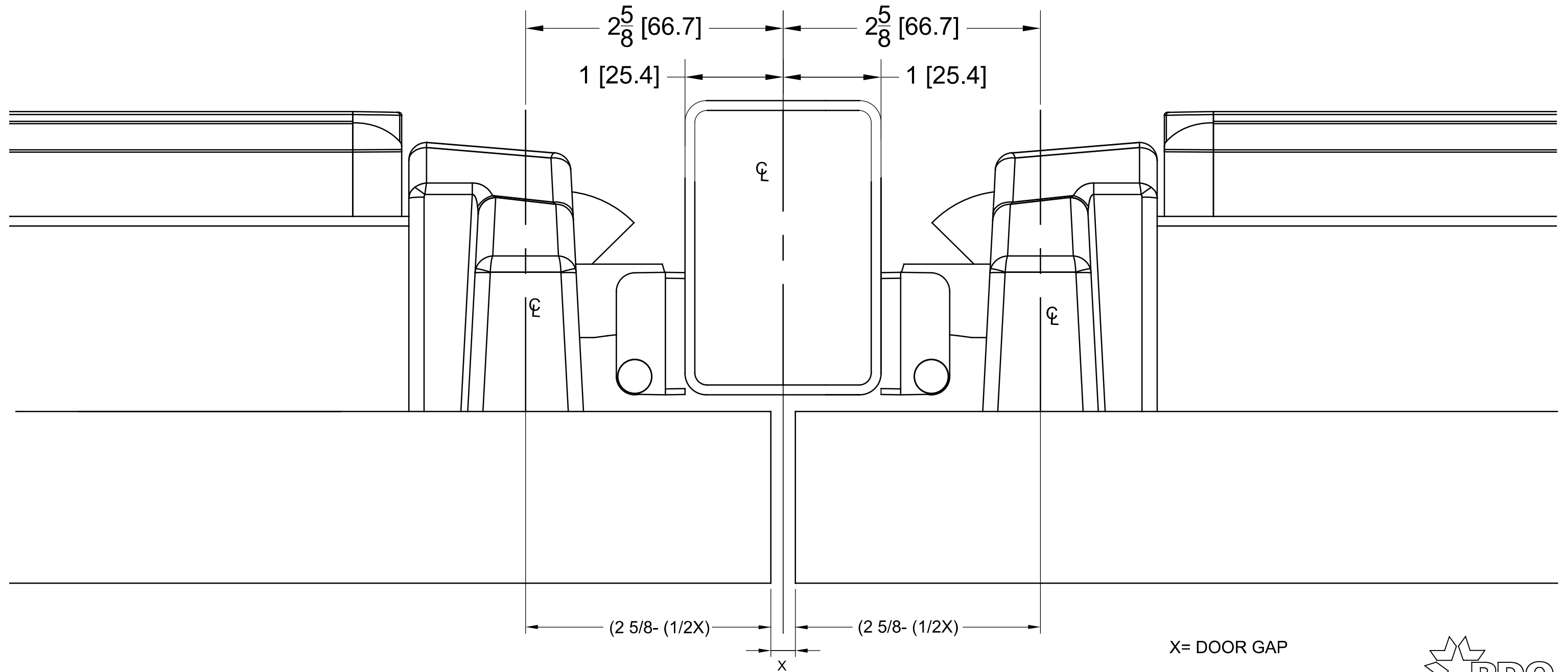
1. VERIFY PRINTED TO SCALE.
2. DIMENSIONS IN **INCHES** [MM].
3. CAUTION: SEX NUTS MAY BE REQUIRED FOR UNREINFORCED DOORS OR COMPOSITE FIRE DOORS. CONSULT DOOR MANUFACTURER'S RECOMMENDATIONS.
4. SEE TRIM TEMPLATE (IF APPLICABLE) FOR RELATED MACHINING DETAILS.
5. DIMENSION "X" MEASURES 31-1/4" [793.8] UNCUT FOR 36" [914.4] DOORS.

DIMENSION "X" MEASURES 43-1/4" [1098.6] UNCUT FOR 48" [1219.2] DOORS.
6. RECOMMENDED DIMENSION FROM FINISHED FLOOR MAY VARY BY APPLICATION, CODES OR BUILDING SPECIFICATIONS.
7. ALWAYS CHECK PDQ WEBSITE FOR MOST RECENT REVISION AT WWW.PDQLOCKS.COM



**6202R - PANIC LABELED
RIM EXIT DEVICE MODELS WITH PANIC MULLION**
6202 SERIES EXIT DEVICES WITH STRIKE 629036

TEMPLATE: 629332
REV. 0 12-5-2018
PAGE 2 OF 2



Top View