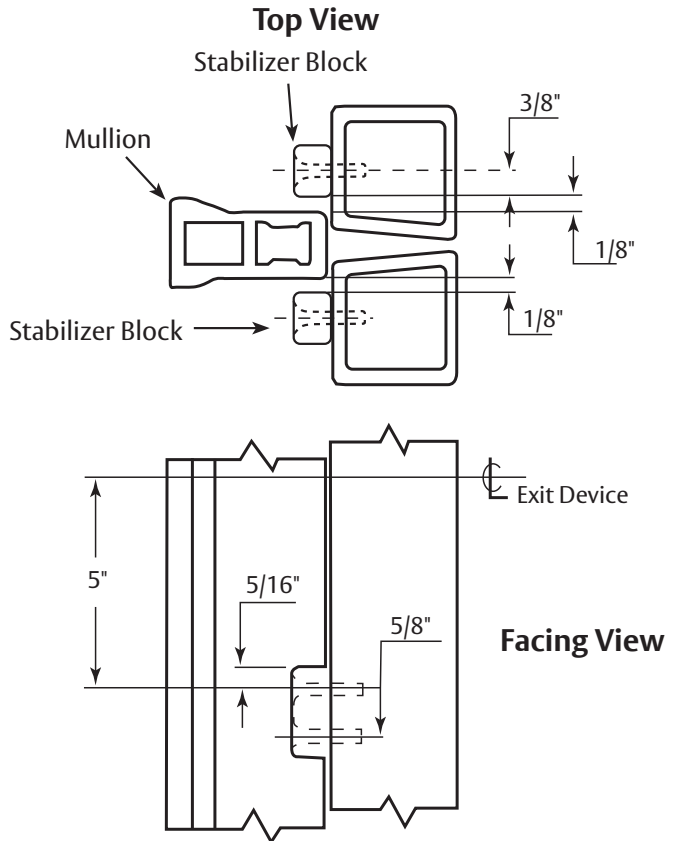
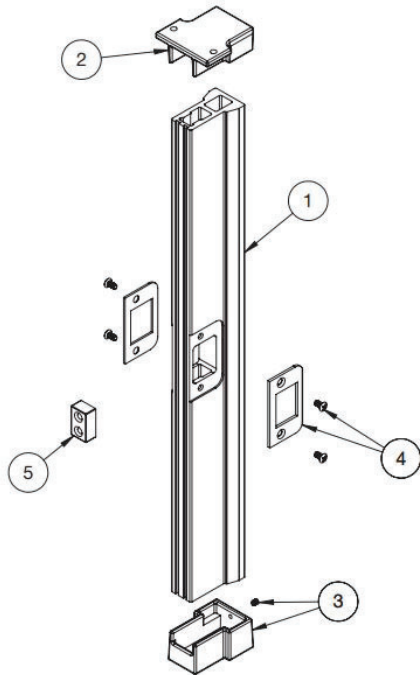


651 Stabilizers



1. On the inside door face, mark screw hole locations as shown.
2. Metal door: Drill and tap (2) #10-24 holes per stabilizer block.
Wood door: Pre-drill for (2) #10 wood screws per stabilizer block.
3. Metal door: Attach each stabilizer block using (2) #10-24 x 3/4" Oval Head machine screws provided.
Wood Door: Attach each stabilizer block using (2) #10 x 1" Oval Head wood screws provided.

Item	Part No.	Description	Qty	Sellable
1	98-2555	Mullion, 8'	1	No
	98-2566	Mullion, 10'		No
2	94-2050	Top Retainer Pack ^{1,2}	1	Yes
3	94-2051	Bottom Retainer Pack ^{1,2}	1	Yes
4	658	Strike Pack	1	Yes
5	651	Stabilizer Block ³	1	Yes

1. Retainer packs contain mounting fasteners.
2. Specify finish.
3. Mounts to the door.

⚠ WARNING

This product can expose you to lead which is known to the state of California to cause cancer and birth defects or other reproductive harm. For more information go to www.P65warnings.ca.gov.

A6581B 09/22

1-800-727-5477 • www.sargentlock.com

Copyright © 2019, 2022 SARGENT Manufacturing Company. All rights reserved. Reproduction in whole or in part without the express written permission of SARGENT Manufacturing Company is prohibited.

Experience a safer
and more open world