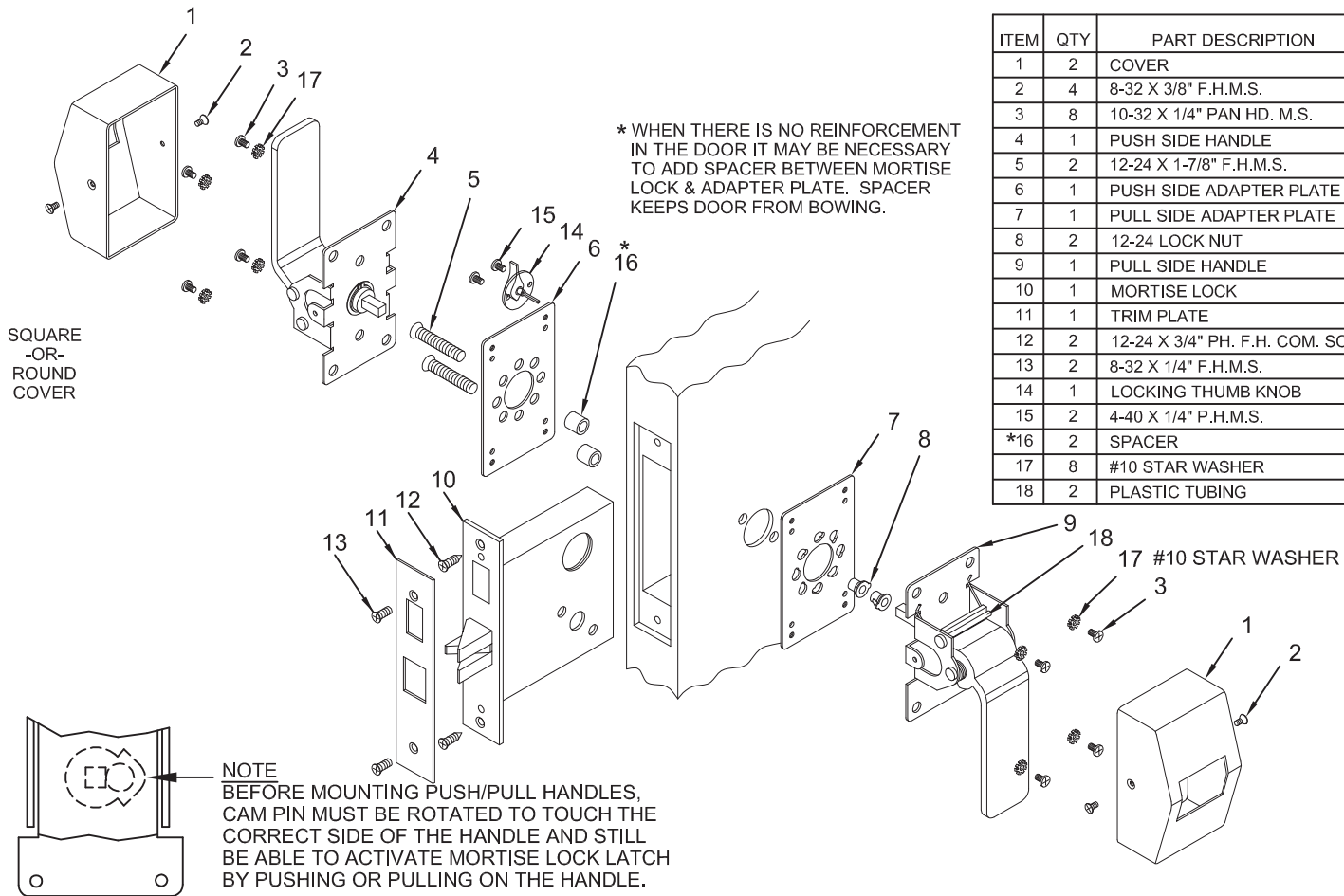


6600 SERIES INSTALLATION FOR MORTISE LOCK



ITEM	QTY	PART DESCRIPTION
1	2	COVER
2	4	8-32 X 3/8" F.H.M.S.
3	8	10-32 X 1/4" PAN HD. M.S.
4	1	PUSH SIDE HANDLE
5	2	12-24 X 1-7/8" F.H.M.S.
6	1	PUSH SIDE ADAPTER PLATE
7	1	PULL SIDE ADAPTER PLATE
8	2	12-24 LOCK NUT
9	1	PULL SIDE HANDLE
10	1	MORTISE LOCK
11	1	TRIM PLATE
12	2	12-24 X 3/4" PH. F.H. COM. SCW.
13	2	8-32 X 1/4" F.H.M.S.
14	1	LOCKING THUMB KNOB
15	2	4-40 X 1/4" P.H.M.S.
*16	2	SPACER
17	8	#10 STAR WASHER
18	2	PLASTIC TUBING

* WHEN THERE IS NO REINFORCEMENT IN THE DOOR IT MAY BE NECESSARY TO ADD SPACER BETWEEN MORTISE LOCK & ADAPTER PLATE. SPACER KEEPS DOOR FROM BOWING.

SQUARE
-OR-
ROUND
COVER

NOTE
BEFORE MOUNTING PUSH/PULL HANDLES,
CAM PIN MUST BE ROTATED TO TOUCH THE
CORRECT SIDE OF THE HANDLE AND STILL
BE ABLE TO ACTIVATE MORTISE LOCK LATCH
BY PUSHING OR PULLING ON THE HANDLE.

DETAIL "A"

NOTES

1. TRIM CAN BE MOUNTED UP, DOWN, HORIZONTALLY OR IN ANY COMBINATION.
2. USES 6600 SERIES MORTISE LOCK DOOR PREP.
3. CYLINDER LOCK NOT PROVIDED.

INSTALLATION INSTRUCTIONS:

1. INSTALL MORTISE LOCK (item 10) USING (2) FLAT HEAD COMBINATION SCREWS (item 12). THEN MOUNT THE TRIM PLATE (item 11) USING (2) FLAT HEAD SCREWS (item 13).

2. INSTALL MOUNTING PLATES: DETERMINE IF TRIM IS TO BE MOUNTED HORIZONTAL OR VERTICAL. INSERT (2) LOCKNUTS (item 8) THRU PULL SIDE ADAPTER PLATE (item 7) TO MATCH HOLES ON DOOR FACE. THEN PLACE PUSH SIDE ADAPTER PLATE (item 6) ON OUTSIDE OF DOOR AND ATTACH WITH (2) FLAT HEAD SCREWS (item 5). DO NOT OVER TIGHTEN.

3. ASSEMBLE TRIM:

- A) TEST BOTH HANDLES TO DETERMINE WHICH IS THE PUSH OR PULL TYPE.
- B) SELECT THE PULL TRIM FIRST. WITH TRIM IN HAND, ROTATE THE CAM ASSEMBLY UNTIL THE CAM PIN STOPS ON THE APPROPRIATE SIDE (SEE DETAIL "A").
- C) PLACE PULL SIDE HANDLE ON PULL SIDE OF THE DOOR SO THAT SPINDLE ENGAGES WITH THE MORTISE LOCK AND FASTEN WITH (4) PAN HEAD SCREWS (item 3) WITH (4) STAR WASHER (item 17). TEST PULL SIDE HANDLE (item 9) FOR LATCH RETRACTION. IF LATCH DOES NOT EXTEND. LOOSEN BOTH FLAT HEAD SCREWS (item 5) TO ADJUST ALIGNMENT.
- D) MOUNT THE PUSH SIDE HANDLE (item 4) USING THE SAME METHOD.
- E) TEST LOCK FOR PROPER OPERATION.
- F) PLACE COVER (item 1) OVER PUSH/PULL TRIMS AND SECURE WITH (2) FLAT HEAD SCREWS (item 2) ON EACH SIDE.

4. IF PROVIDED INSTALL LOCKING THUMB KNOB (item 14) USING (2) PAN HEAD SCREWS (item 15).

PATENT No. 6,196,599 & 5,730,478

6600-INSTALLATION-05,DWVG



www.intldoorclosers.com

East: 800-225-6737

West: 800-544-4422

6600

REVISED 05-17-11