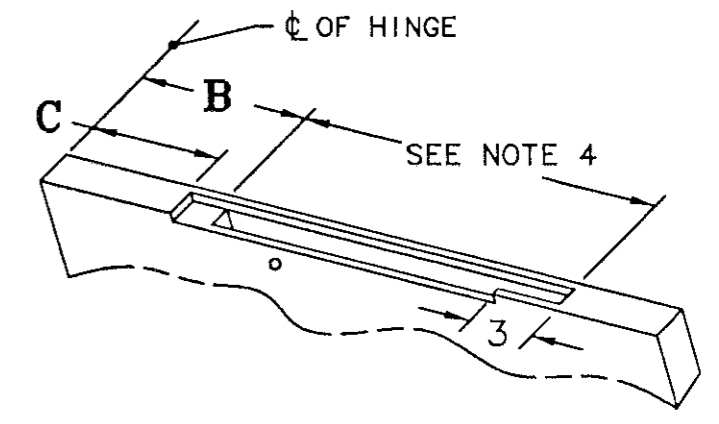
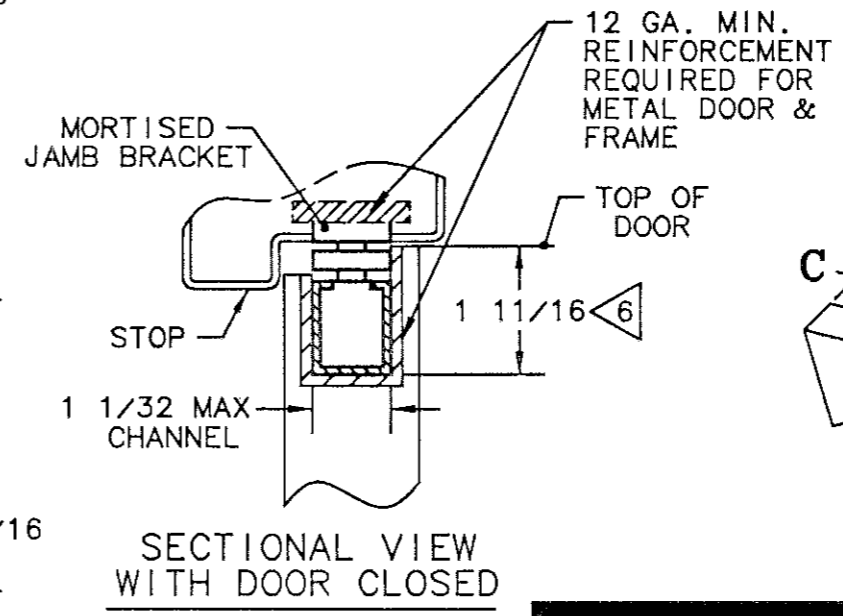
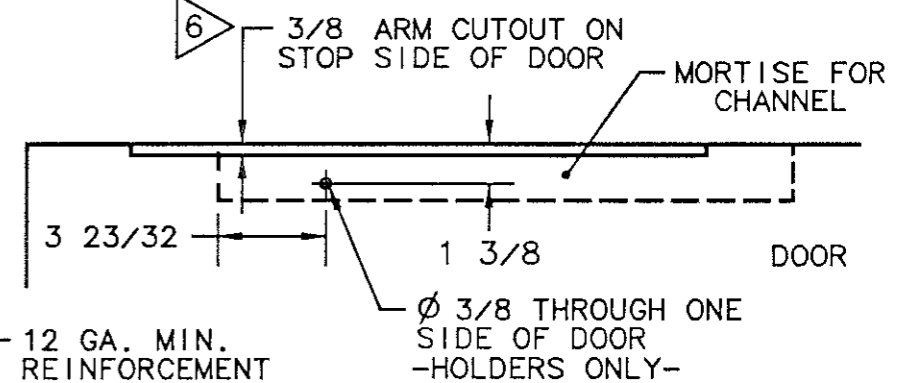
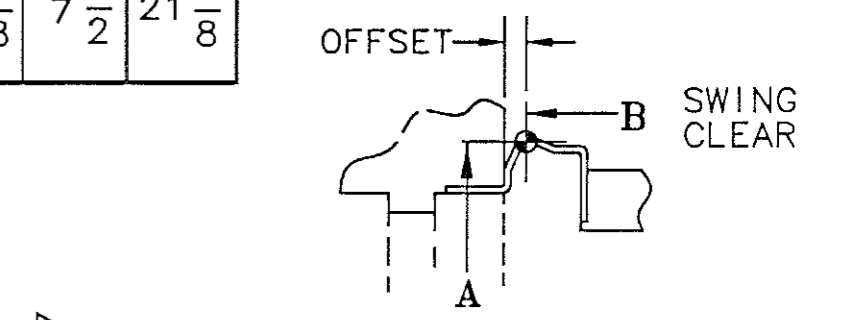
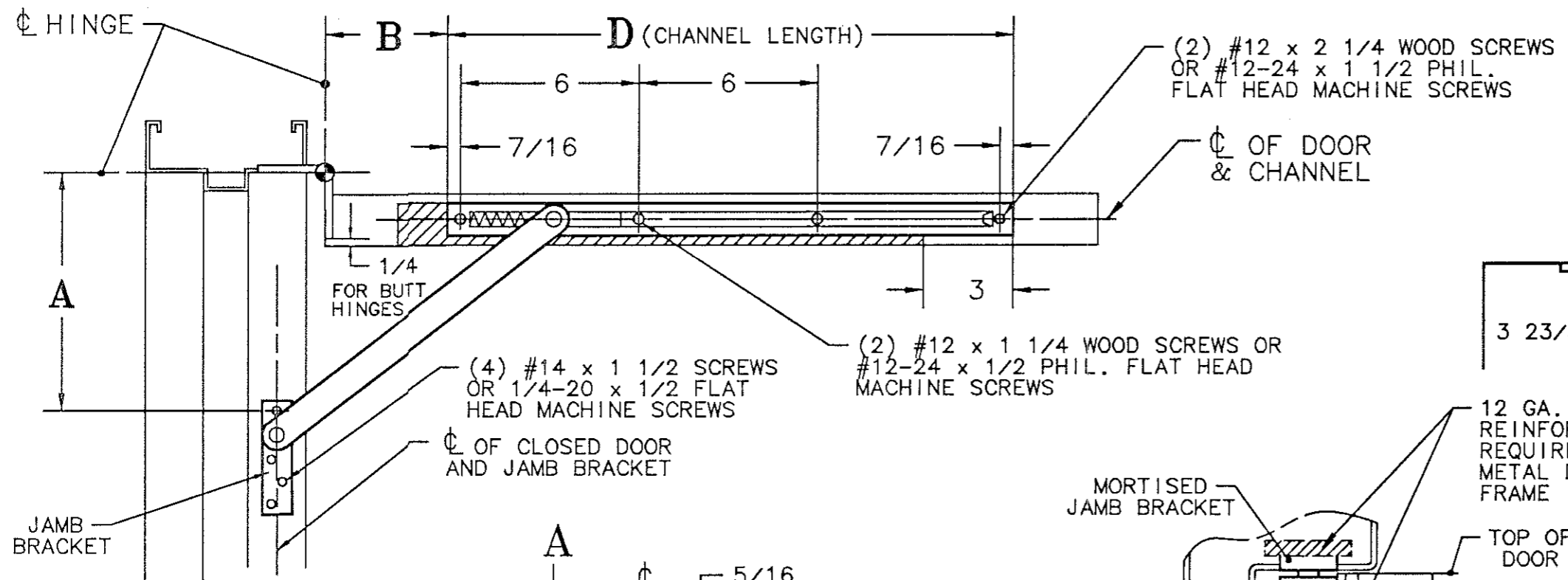
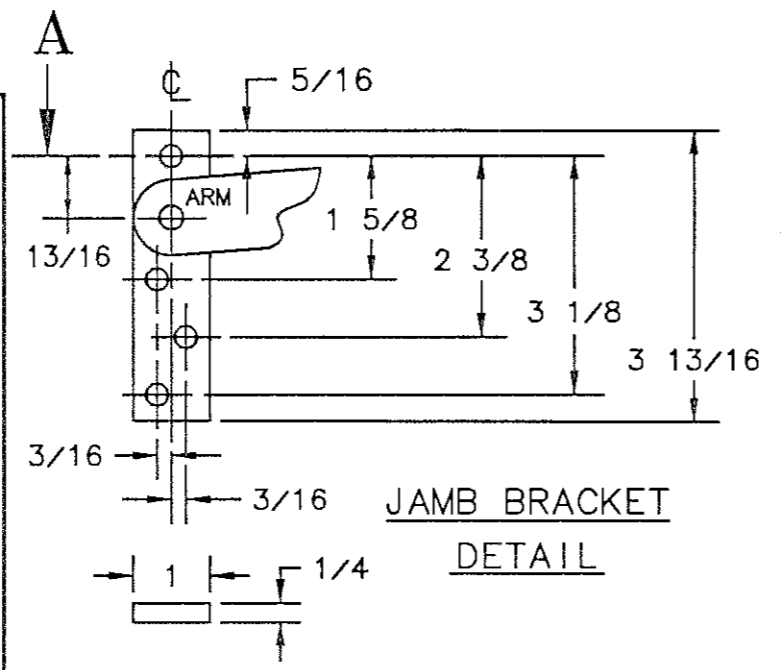


MODEL NO.	OVERALL DOOR WIDTH	DEGREE OF OPENING AT HOLD OPEN OR STOP (FOR DEAD STOP SEE NOTE 2)																		D	690 MOUNTING GROUP 1		
		85°			90°			95°			100°			105°			110°				HINGE TYPE	BUTT WIDTH OR OFFSET	DOOR THICKNESS
		A	B	C	A	B	C	A	B	C	A	B	C	A	B	C	A	B	C				
697H & 697S	24 - 32 $\frac{1}{2}$	7 $\frac{5}{8}$	4 $\frac{7}{8}$	4 $\frac{1}{2}$	7 $\frac{1}{4}$	4 $\frac{3}{4}$	4	6 $\frac{7}{8}$	4 $\frac{1}{2}$	3 $\frac{1}{2}$	6 $\frac{1}{2}$	4 $\frac{1}{4}$	3	6 $\frac{1}{4}$	4	2	6	3 $\frac{3}{4}$	1	18 $\frac{3}{4}$	BUTT HINGE	4 - 4 $\frac{1}{2}$	1 $\frac{3}{8}$ - 2 $\frac{1}{4}$
698H & 698S	32 $\frac{5}{8}$ - 39 $\frac{1}{8}$	9	8 $\frac{7}{8}$	8	8 $\frac{5}{8}$	8 $\frac{1}{2}$	7 $\frac{1}{8}$	8 $\frac{1}{8}$	8	6 $\frac{3}{4}$	7 $\frac{1}{2}$	7 $\frac{3}{4}$	5 $\frac{3}{4}$	7 $\frac{1}{8}$	7 $\frac{1}{2}$	5	6 $\frac{3}{4}$	7 $\frac{1}{4}$	4 $\frac{1}{4}$	19 $\frac{7}{8}$	OFFSET PIVOT	$\frac{5}{8}$ - $\frac{3}{4}$	1 $\frac{3}{4}$ - 2 $\frac{1}{4}$
699H & 699S	39 $\frac{1}{4}$ AND OVER	10 $\frac{3}{4}$	13 $\frac{1}{4}$	10 $\frac{3}{4}$	10 $\frac{1}{8}$	12 $\frac{3}{4}$	10 $\frac{1}{8}$	9 $\frac{5}{8}$	12 $\frac{1}{8}$	9 $\frac{5}{8}$	9	11 $\frac{3}{4}$	9	8 $\frac{3}{4}$	11 $\frac{1}{4}$	8 $\frac{1}{2}$	8 $\frac{3}{8}$	10 $\frac{7}{8}$	7 $\frac{1}{2}$	21 $\frac{7}{8}$	SWING CLEAR HINGE	$\frac{3}{8}$ - $\frac{5}{8}$	1 $\frac{3}{4}$ - 2



NOTES:

- DIMENSIONS GIVEN ARE FOR THE HOLD OPEN POSITION. DEAD STOP OCCURS 5°-9° AFTER HOLD OPEN.
- FOR DEAD STOP TEMPLATING, ADD 3/8 TO DIM. A AND 3/8 TO DIM B.
- LEFT HAND DOOR SHOWN, RIGHT HAND OPPOSITE.
- PROVIDE 1/16 OF CLEARANCE ON EACH END OF CHANNEL.
- FOR CONTINUOUS HINGES, USE SIMILAR BUTT HINGE VALUES.



6 MORTISE MAY BE REDUCED TO 1 5/8 & ARM CUTOUT TO 5/16 FOR SPECIAL APPLICATIONS

SARGENT[®] Manufacturing Company
100 Sargent Drive New Haven, CT 06511

DATA SHEET: 697-699 SERIES DOOR HOLDERS AND STOPS - MOUNTING GROUP 1 -	EFFECTIVE DATE MAY 03 TEMPLATE NO. A7482 E
---	---