

7300 Series

Multi-Point Locks



⚠ WARNING

This product can expose you to lead which is known to the state of California to cause cancer and birth defects or other reproductive harm. For more information go to www.P65warnings.ca.gov.

1-800-727-5477 • www.sargentlock.com

Copyright © 2018, 2019, 2020 SARGENT Manufacturing Company. All rights reserved. Reproduction in whole or in part without the express written permission of SARGENT Manufacturing Company is prohibited.

A8271:B 08/20

Experience a safer
and more open world

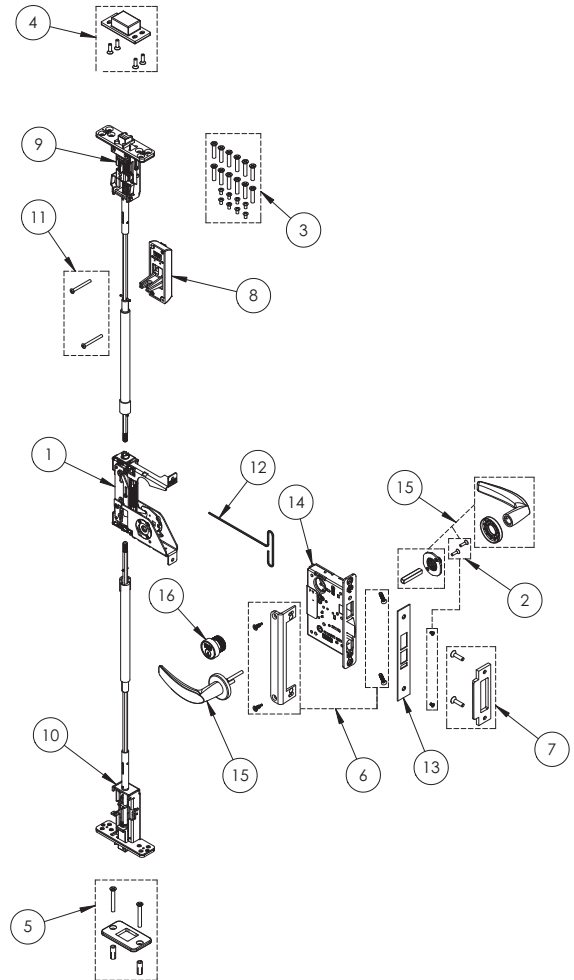
The ASSA ABLOY Group is the global leader in access solutions. Every day we help people feel safe, secure and experience a more open world.

SARGENT
ASSA ABLOY

Item	Part No.	Description	Sellable
1	82-5342	Multipoint Cassette	Yes
2	82-5345	Trim Mounting Screw Pack	Yes
3	82-5346	Top/Bottom Case Mounting Screw Pack	Yes
4	82-5347	Top Strike Pack	Yes
5	82-5348	Bottom Strike Pack	Yes
6	82-5349	Mortise Mounting/Reinforcement Pack	Yes
7	82-5350	Center Strike Pack	Yes
8	188	Dogging Indicator ¹ (Includes Item 11)	Yes

Item	Part No.	Description	Sellable
9	680T ²	Top Case And Rod Assembly ²	Yes
10	82-5387	Bottom Case And Rod Assembly ²	Yes
11	82-5400	Dogging Indicator Screw Pack ¹	Yes
12	01-4597	T-Wrench, 3/32" Adjustment	Yes
13	Consult Factory	O/S Front	Yes
14	Consult Factory	Mortise Lock	Yes
15	Consult Factory	Mortise Trim	Yes
16	Consult Factory	Cylinder	Yes

- 1. Specify finish
- 2. Specify door size



SARGENT Manufacturing Company
100 Sargent Drive
New Haven, CT 06511 USA
800-727-5477
www.sargentlock.com

1-800-727-5477 • www.sargentlock.com

Copyright © 2018, 2019, 2020 SARGENT Manufacturing Company. All rights reserved. Reproduction in whole or in part without the express written permission of SARGENT Manufacturing Company is prohibited.

A8271-B 08/20

Experience a safer
and more open world