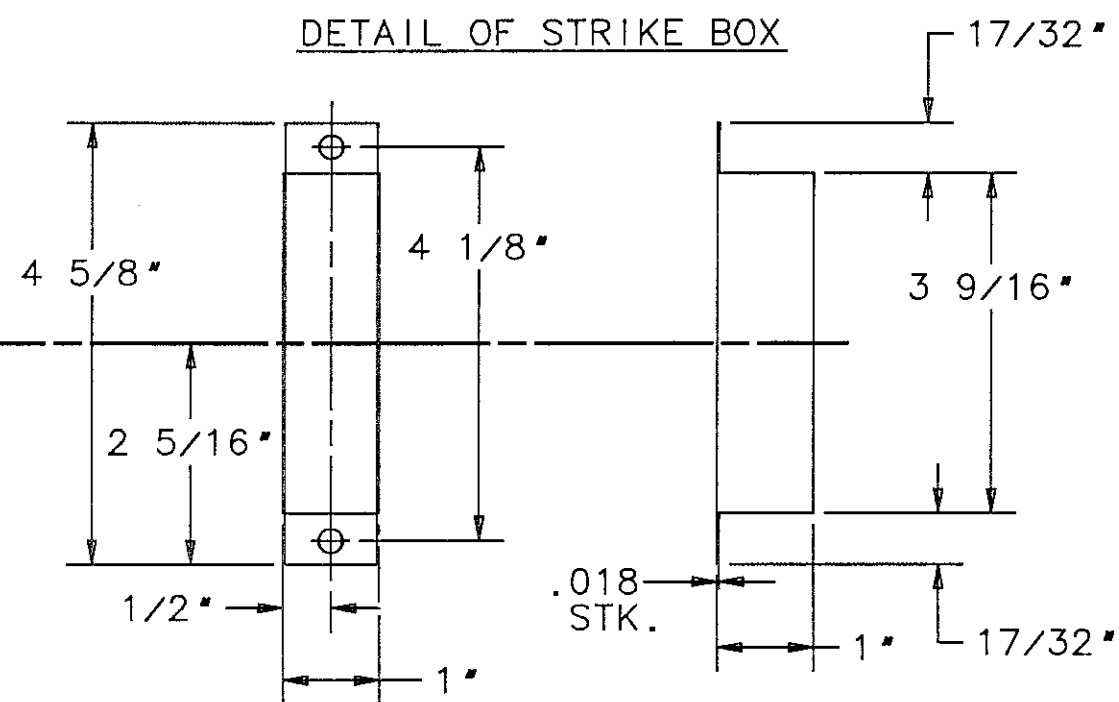


DETAIL OF STRIKE BOX



STRIKE BOX FURNISHED

②— WHEN DOOR SILENCERS ARE USED ON DOOR FRAME, LOCATE CENTERLINE OF STRIKE FROM SURFACE OF DOOR SILENCER AS SHOWN.

①— DIMENSIONS SHOWN ARE MAXIMUM PART DIMENSIONS.

SARGENT MFG. COMPANY

NEW HAVEN, CONN. 06511

TEMPLATE: 8200, 9200 & M9200
 SERIES MORTISE LOCK
 NO. 78-0034 DEAD BOLT STRIKE
 FOR 03, 20, 21, 22 & 23 FUNCTIONS

RELEASE DATE
 3 SEPT 99
 TEMPLT NO. 7064 C