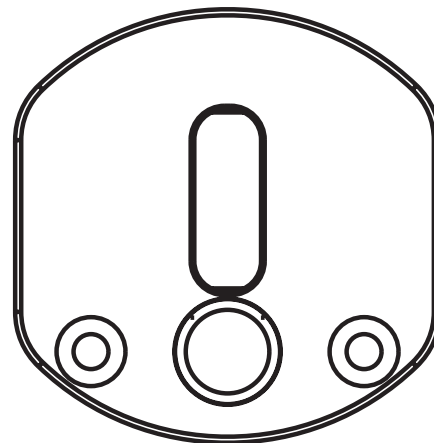
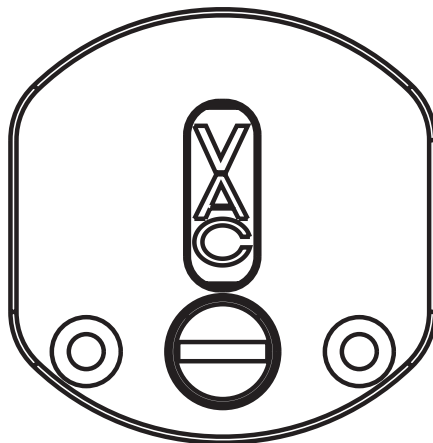


# 7800/8200 Series Mortise Lock

## Visual Occupancy Indicators for Sectional Trim

(185C, 185P, and 49- Option)



### **WARNING**

This product can expose you to lead which is known to the state of California to cause cancer and birth defects or other reproductive harm. For more information go to [www.P65warnings.ca.gov](http://www.P65warnings.ca.gov).

# 7800/8200 Series Mortise Lock

## Visual Occupancy Indicators for Sectional Trim

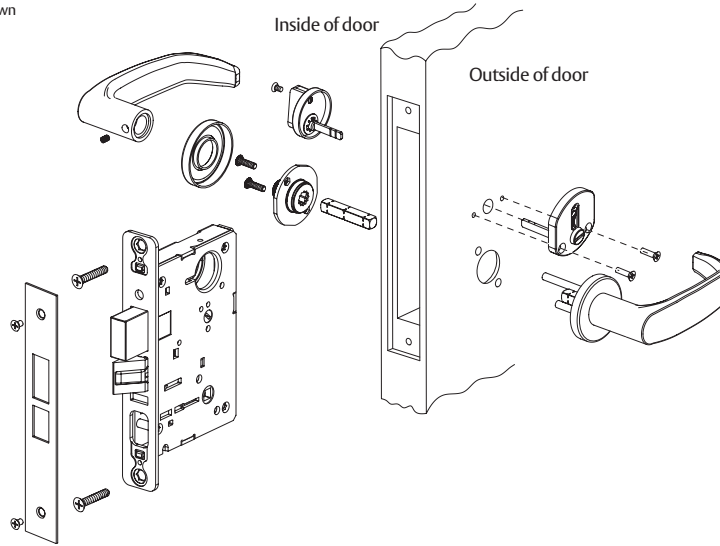
### (185C, 185P, and 49- Option)

### Installation Instructions

## 1

### Lock and Indicator

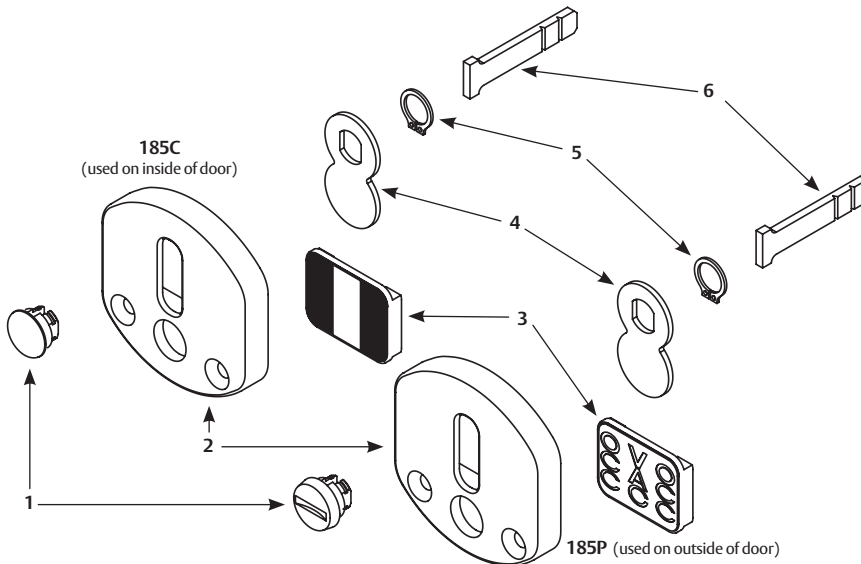
185P Occupancy Indicator shown



## 2

### Indicator Components

Item	Description	Quantity	Part Number
1	Indicator Button	1	82-0592
	Indicator Button—Emergency Release	1	82-0591
2	Housing Plate	1	82-0589
3	Red/White Slide	1	82-4050
	VAC/OCC Slide	1	82-4051
4	Rotation Plate	1	82-0590
5	Snap Ring	1	01-4552
6	Spindle	1	77-1195
7	#6 x 5/8" Wood Screw (not shown)	2	01-2036
8	#6-32 x 1/2" MS (not shown)	2	01-1020



# 7800/8200 Series Mortise Lock Visual Occupancy Indicators for Sectional Trim (185C, 185P, and 49- Option) Installation Instructions

## 3 Changing the Indicator Slides

### a Remove part 1.

Gently remove the snap ring (1) from above the rotation plate (2) using a small screwdriver to pry the ring upward.

### b Remove parts 2 and 3 and part 4 or 5 (as applicable).

Lift off the rotation plate (2) and spindle (3). Remove the applicable indicator slide (4 or 5).

### c Place the new part 4 or 5.

Place the new slide (4 or 5) into the indicator base.

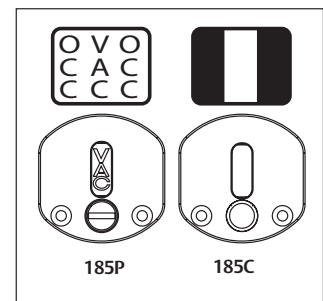
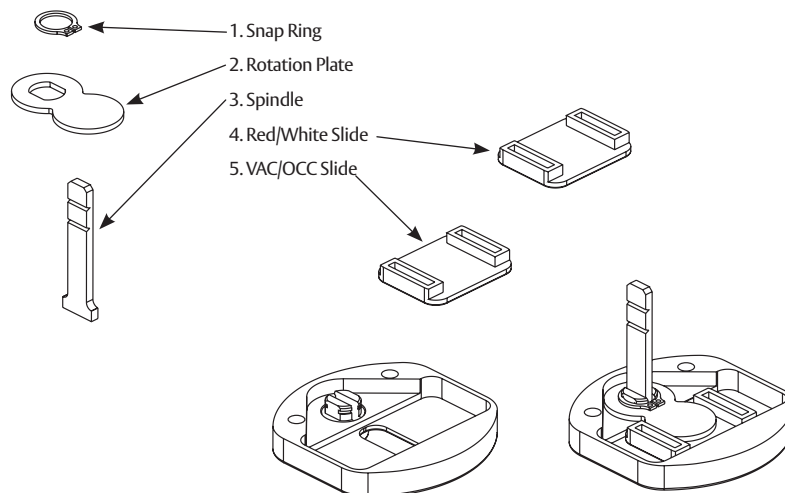
### d Reassemble parts 2 and 3.

Place the spindle (3) into the indicator base. Slide the rotation plate (2) over the spindle (3).

#### Note

BE SURE THAT THE TEXT ON THE VAC/OCC SLIDE IS IN THE PROPER ORIENTATION BEFORE PROCEEDING WITH STEP E.

### e Place the snap ring (1) into the button groove on the rotation plate (2).

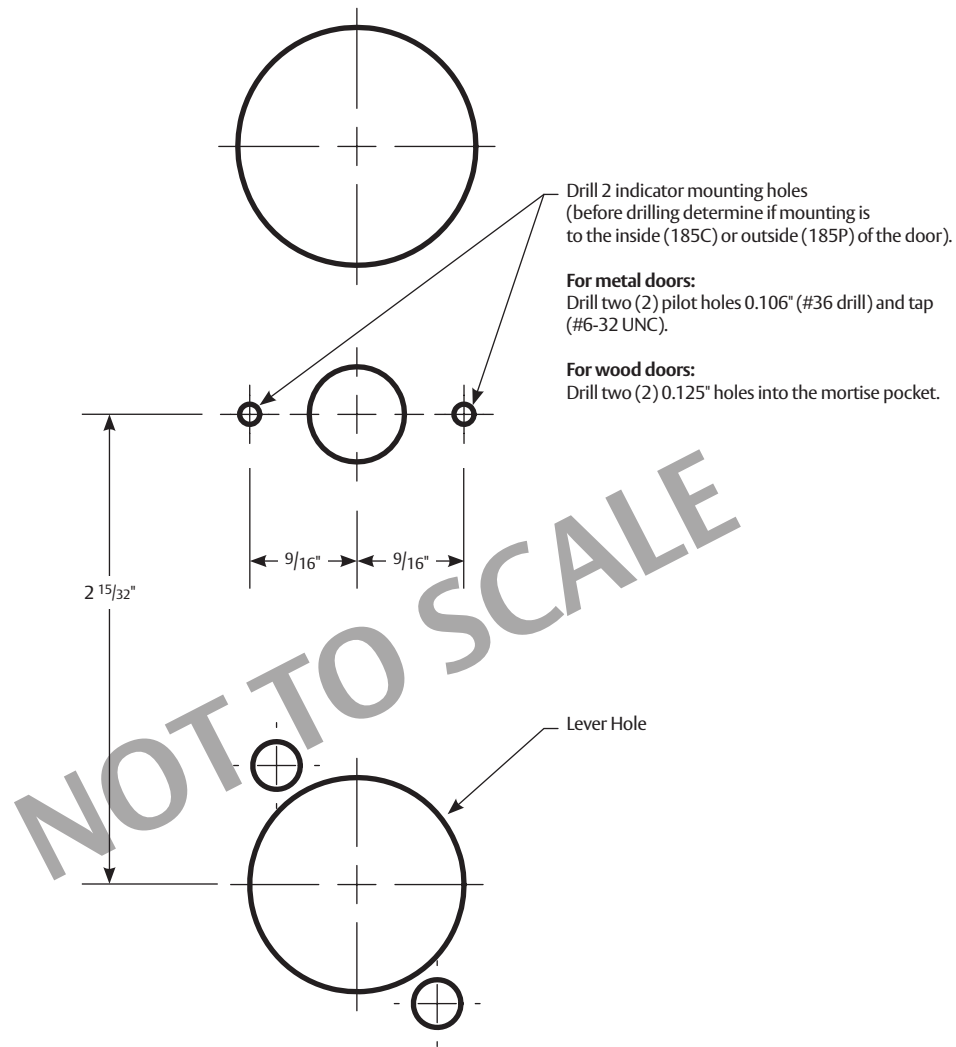


7800/8200 Series Mortise Lock  
Visual Occupancy Indicators for Sectional Trim  
(185C, 185P, and 49- Option)  
Installation Instructions

**SARGENT**  
**ASSA ABLOY**

4

Door Drilling Template



SARGENT Manufacturing Company  
100 Sargent Drive  
New Haven, CT 06511 USA  
800-727-5477  
www.sargentlock.com

ASSA ABLOY is the global  
leader in door opening solutions,  
dedicated to satisfying  
end-users needs for security,  
safety, and convenience

Founded in the early 1800s, SARGENT® is a market leader in locksets, cylinders, door closers, exit devices, electro-mechanical products and access control systems for new construction, renovation, and replacement applications. The company's customer base includes commercial construction, institutional, and industrial markets.

Copyright © 2018, SARGENT Manufacturing Company. All rights reserved. Reproduction in whole or in part without the express written permission of SARGENT Manufacturing Company is prohibited.

A7623C  
12/18