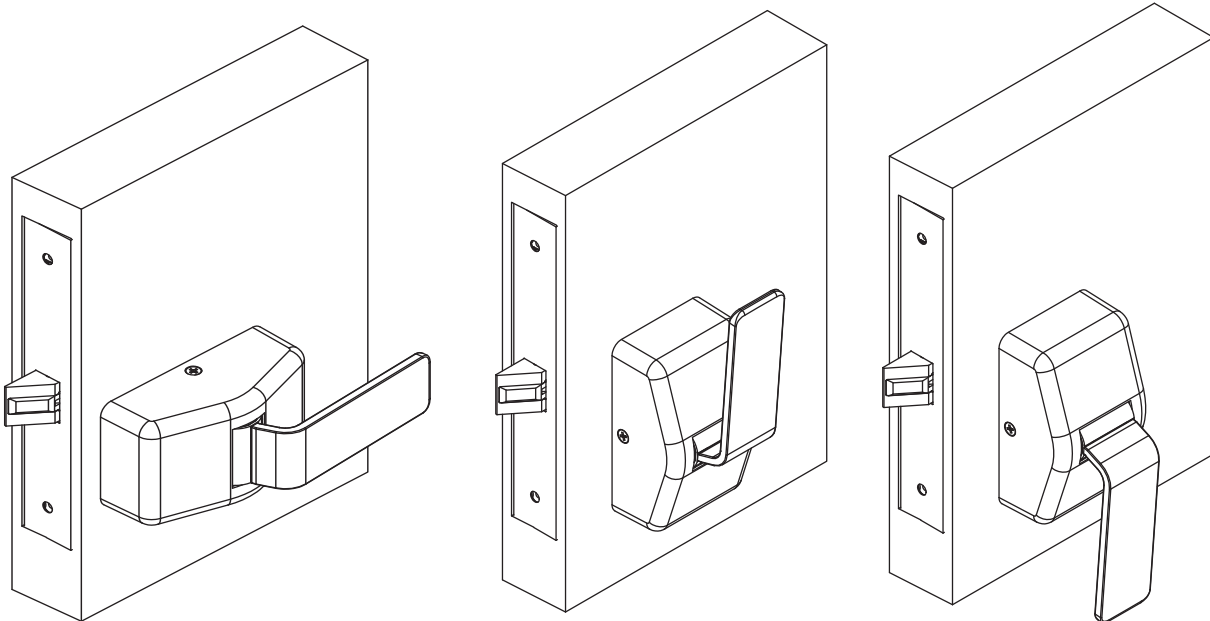


# 7800 Series

with PT Paddle Trim

Mortise Lock



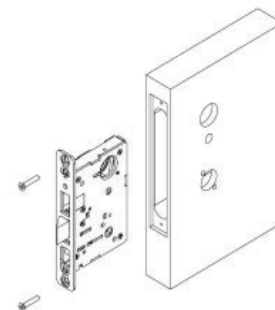
## WARNING

This product can expose you to lead which is known to the state of California to cause cancer and birth defects or other reproductive harm. For more information go to [www.P65warnings.ca.gov](http://www.P65warnings.ca.gov).

<b>TOC</b>	<b>Table of Contents</b>
<b>1</b>	<b>Tools Required .....2</b>
<b>2</b>	<b>Installation of Lock .....2</b>
<b>3</b>	<b>Installation of Cylinder.....3</b>
<b>4</b>	<b>Determine Orientation and Handing of Trim .....3</b>
<b>5</b>	<b>Installation of Chassis.....4</b>
<b>6</b>	<b>Installation of Paddles and Covers .....4</b>
<b>7</b>	<b>7800 PT Multi Function Lock Instructions.....5</b>
<b>a</b>	<b>How to Change Function of Lock.....5</b>
<b>b</b>	<b>Item Chart.....5</b>
<b>c</b>	<b>How to Change Hand of Lock .....6</b>

- ### 1 Tools Required
- Phillips Screwdriver #2
  - Drill
  - 7/46" Drill Bit (Wood Door)
  - #8-32 Tap (Metal Door)
  - 0.136 (#18) Tap Drill
  - Screw Pack with screws for lockbody, fronts & strike screws (part #77-4236)
  - T15 Torx Bit
  - 1/8" Allen Key

- ### 2 Installation of Lock
- Slide Lock into the door.
  - Secure lock in door with (2) wood screws #12 x 1-1/4" or machine screw #12-24 x 1/2".
  - Do not tighten screws fully at this point.

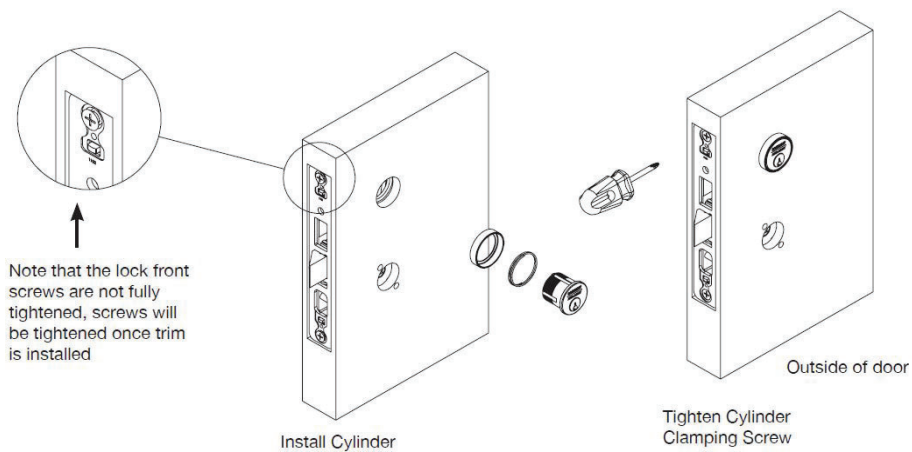


### 3

### Installation of Cylinder

For non-cylinder functions, proceed to STEP 4

- Thread the cylinder into the lockbody.
- Verify the cylinder is flush with the collar and the logo is horizontal.
- Secure cylinder with cylinder clamping screw located above the deadbolt opening.
- Verify the cylinder functions correctly.



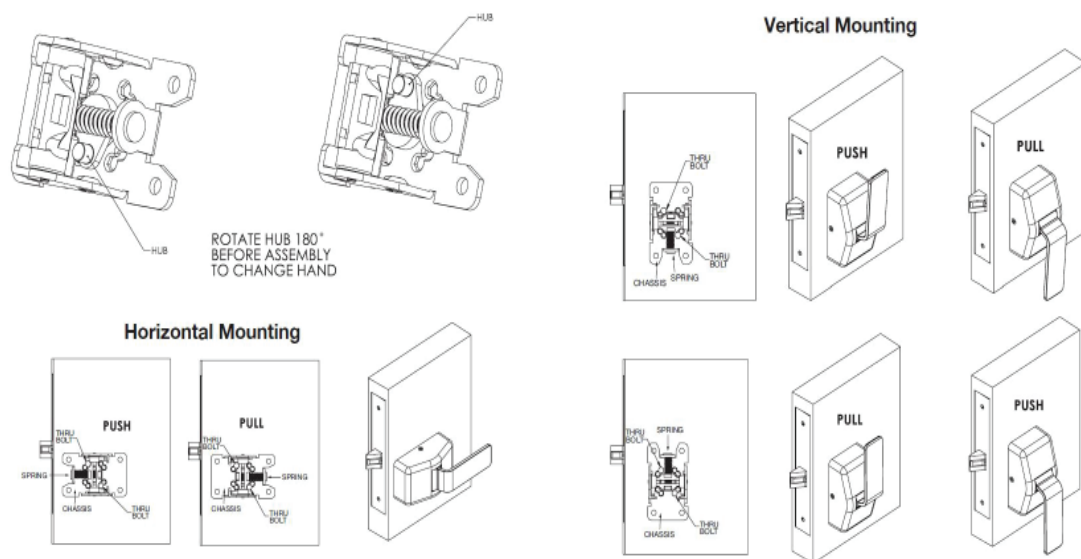
### 4

### Determine Orientation and Handing of Trim

The trim can be mounted vertically or horizontally.

- Down or horizontal paddle orientation is required for cylinder side of door.
- Horizontal paddle orientation is required if thumb turn or an emergency release is used.
- To change from PUSH to PULL orientation, chassis will need to be turned 180° and paddle installed in the correct direction.

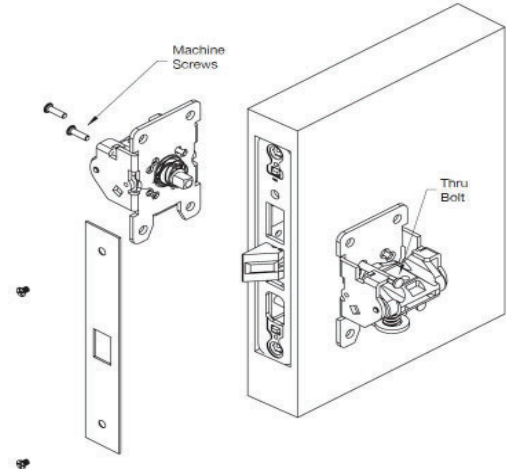
**NOTE: Chassis is packed with the paddle attached. Remove paddle before installing. Before installing chassis to door, confirm the spring orientation is correct.**



## 5

### Installation of Chassis

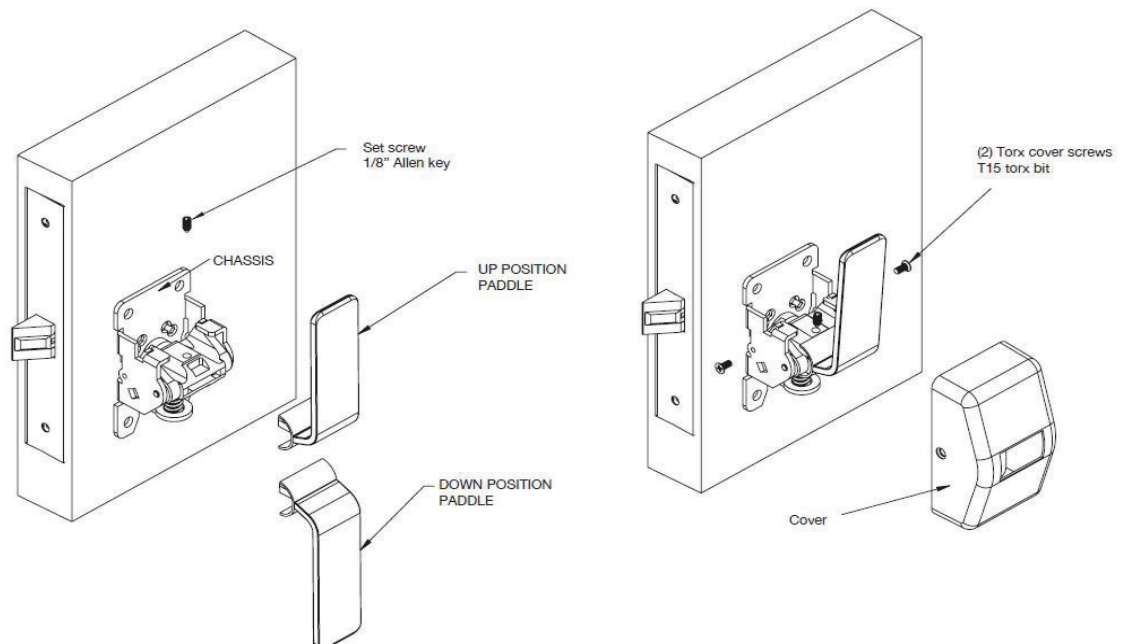
- Check handing of chassis before installing mounting screws.
- Insert the (2) mounting posts through the outside chassis, then secure with (2) #8-32 x 5/8" machine screws through the inside chassis. Do not tighten fully at this point.
- Lockbody screws on edge of door are to be securely fastened at this point.
- Level chassis.
- Tighten thru bolt screws.
- Attach the outside front plate to lock front with (2) #8-32 x 1/4" flat head screws.
- Tighten all screws firmly. Do not over tighten.



## 6

### Installation of Paddles and Covers

- Insert paddle in slot.
- Install set screw.
- Slide cover over paddle and align with mounting holes.
- Install cover screws.



## 7

### 7800 PT Multi Function Lock Instructions

#### a

#### How to Change Function of Lock

The green catch screw must be located as designated on lock case to create desired function.

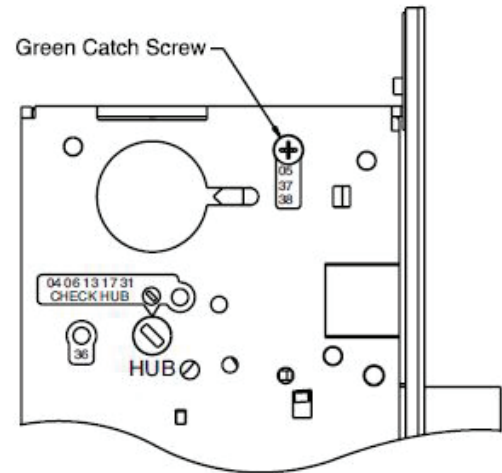
3 locations:

- One for 05, 37 & 38 functions  
(15 function in unlocked position)
- One for 04, 06, 13, 17 & 31 functions
- One for 36 function

**NOTE:** When moving green catch screw to 04, 06, 13, 17 & 31 functions, hub position must be at 45° as shown on lockcase.

**NOTE:** 17 function requires both levers to be rigid. Rotate red locking piece 90°, so red surface of slide faces back of lockbody.

7800PT lockbody is required when using PT paddle trim, 8200 lever lockbody will not function properly with the PT trim



#### b

#### Items Needed to Create Each of the Following Functions

Function	Outside Lever	Inside Lever	Trim One Side Kit	Outside Cylinder	Inside Cylinder	Thumb Turn
04	X	X		X		
05	X	X		X		X***
06		X	X	X		
13		X	X			
17	X	X		X	X	
31		X	X	X		
36		X	X	X		
37	X	X		X		
38	X	X		X	X	

#41 Cylinder is standard for both single & double cylinder functions for 1-3/4" thick door

**NOTE:** Trim-one-side functions always require an inside trim assembly which can be used on the inside or outside of the door

7

## 7800 PT Multi Function Lock Instruction (continued)

### c How to Change Hand of Lock

**NOTE:** Red surface of locking piece must face secure (keyed/locked) side of door.

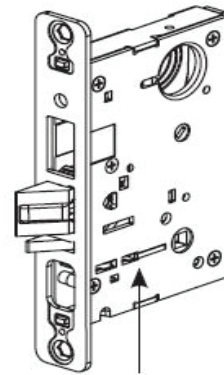
To rotate locking piece:

1. Position lockbody with red surface of locking piece visible.
2. Insert blade type screwdriver into locking piece slot to rotate locking piece.
3. Push locking piece toward back of lock body and rotate 180° until RED surface shows on opposite side.

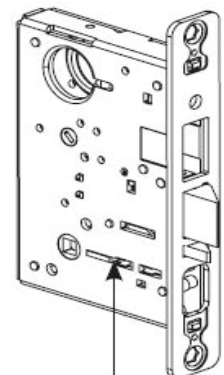
**NOTE:** 04, 06, 13, 17 and 31 Functions require:

- (a) Green catch screw to be removed.
- (b) Rotate hub 45° to vertical position.
- (c) Rotate locking piece for required hand.
- (d) Red surface faces locked side of door.
- (e) Rotate hub to the original 45° position as shown on lock-case.
- (f) Green catch screw is then reinstalled.

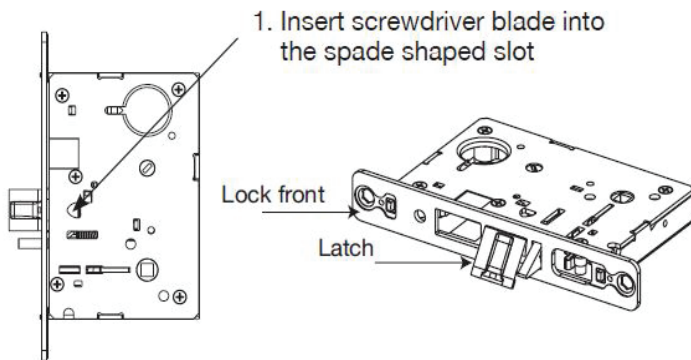
**NOTE:** Beveled surface of latch must face strike. The deadlatch is self adjusting. To change hand of latch:



Locking piece slot



Red color indicates locked side of door or hold back side (91 and 92 Functions)

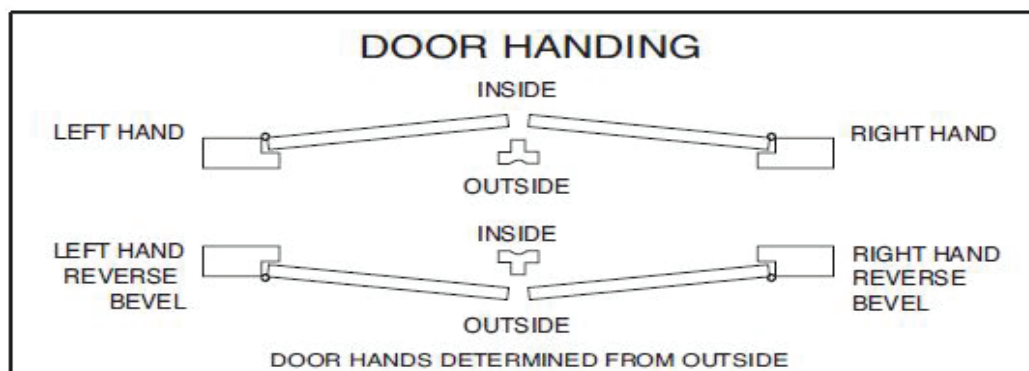


1. Insert screwdriver blade into the spade shaped slot

Lock front

Latch

2. Rotate screwdriver 90° to push latch out until back of latch clears lock front. Then rotate latch 180°. Latch will then re-enter lockbody. (Note: Latch can not be unscrewed)



# 7800 Series

## Mortise Lock with PT Paddle Trim

### Installation Instructions

**SARGENT**<sup>®</sup>

**ASSA ABLOY**

The ASSA ABLOY Group is the global leader in access solutions. Every day, we help billions of people experience a more open world.

ASSA ABLOY Opening Solutions leads the development within door openings and products for access solutions in homes, businesses and institutions. Our offering includes doors, frames, door and window hardware, locks, perimeter fencing, access control and service.

**SARGENT®**

**ASSA ABLOY**

SARGENT Manufacturing Company  
100 Sargent Drive  
New Haven, CT 06511 USA  
800-727-5477  
[www.sargentlock.com](http://www.sargentlock.com)

Founded in the early 1800s, SARGENT® is a market leader in locksets, cylinders, door closers, exit devices, electro-mechanical products and access control systems for new construction, renovation, and replacement applications. The company's customer base includes commercial construction, institutional, and industrial markets.

Copyright © 2011, 2020 SARGENT Manufacturing Company. All rights reserved. Reproduction in whole or in part without the express written permission of SARGENT Manufacturing Company is prohibited.

A8130D  
02/20