

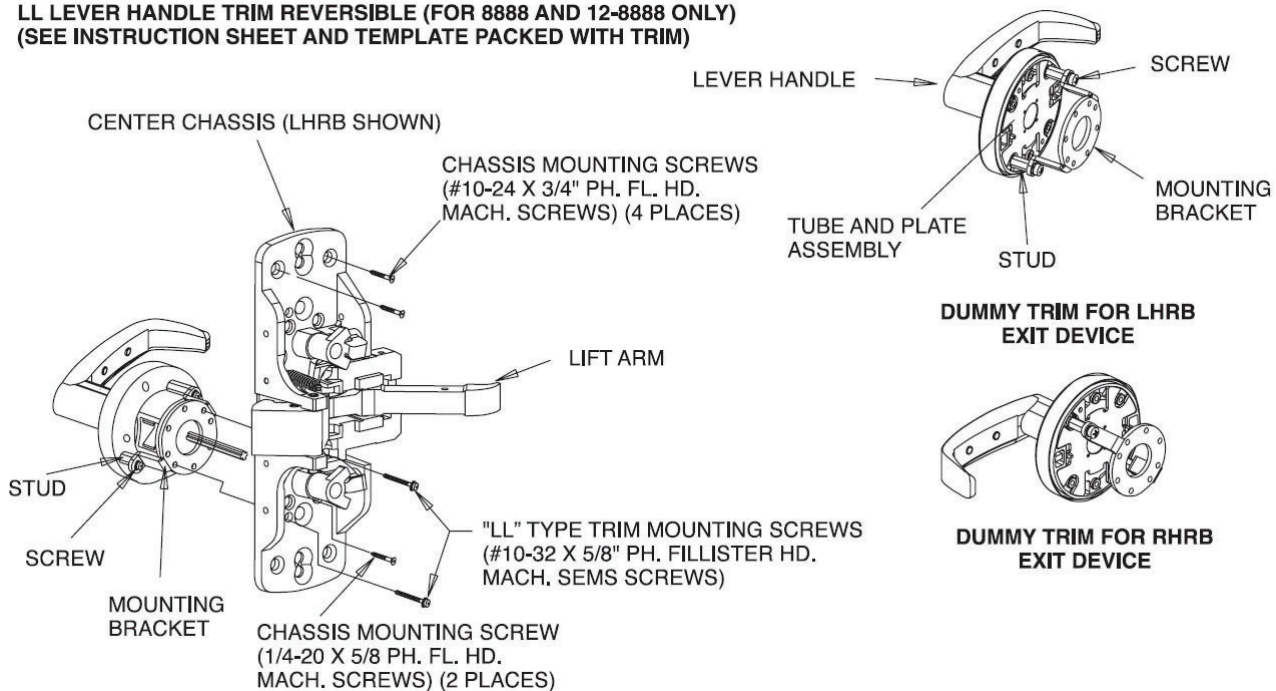
LL Handle Trim

For use with 8810/8888

To Install the Trim:

1. Attach chassis to door with (4) chassis mounting screws (#10-24 x 3/4" Phillips Flat Head Machine Screws).
2. Attach LL trim with (2) mounting screws (#10-32 x 5/8" Phillips Fillister Head Machine SEMS Screws).

LL LEVER HANDLE TRIM REVERSIBLE (FOR 8888 AND 12-8888 ONLY)
(SEE INSTRUCTION SHEET AND TEMPLATE PACKED WITH TRIM)



WARNING

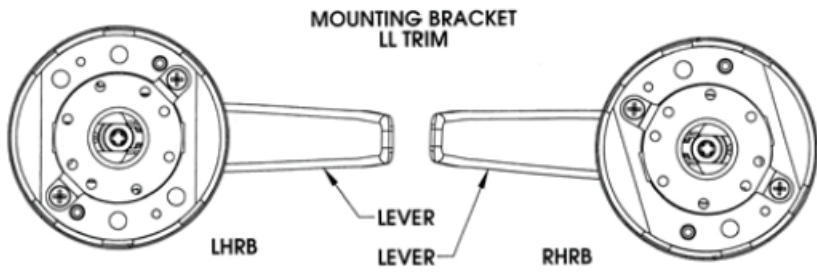
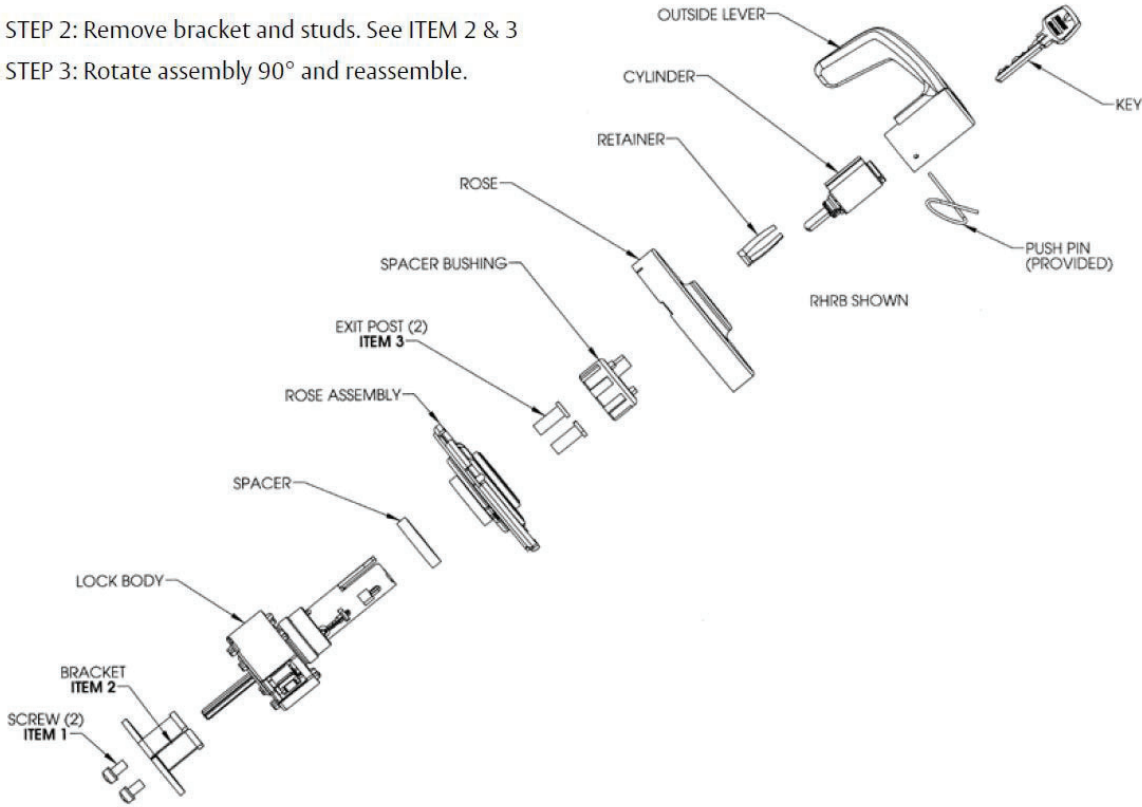
This product can expose you to lead which is known to the state of California to cause cancer and birth defects or other reproductive harm. For more information go to www.P65warnings.ca.gov.

The ASSA ABLOY Group is the global leader in access solutions. Every day we help people feel safe, secure and experience a more open world.



To Change Hand:

- STEP 1: Remove screws. See ITEM 1
- STEP 2: Remove bracket and studs. See ITEM 2 & 3
- STEP 3: Rotate assembly 90° and reassemble.



SARGENT Manufacturing Company
 100 Sargent Drive
 New Haven, CT 06511 USA
 800-727-5477
www.sargentlock.com

1-800-727-5477 • www.sargentlock.com

Copyright © 2013, 2020 SARGENT Manufacturing Company. All rights reserved. Reproduction in whole or in part without the express written permission of SARGENT Manufacturing Company is prohibited.

A7190E 12/20

Experience a safer and more open world