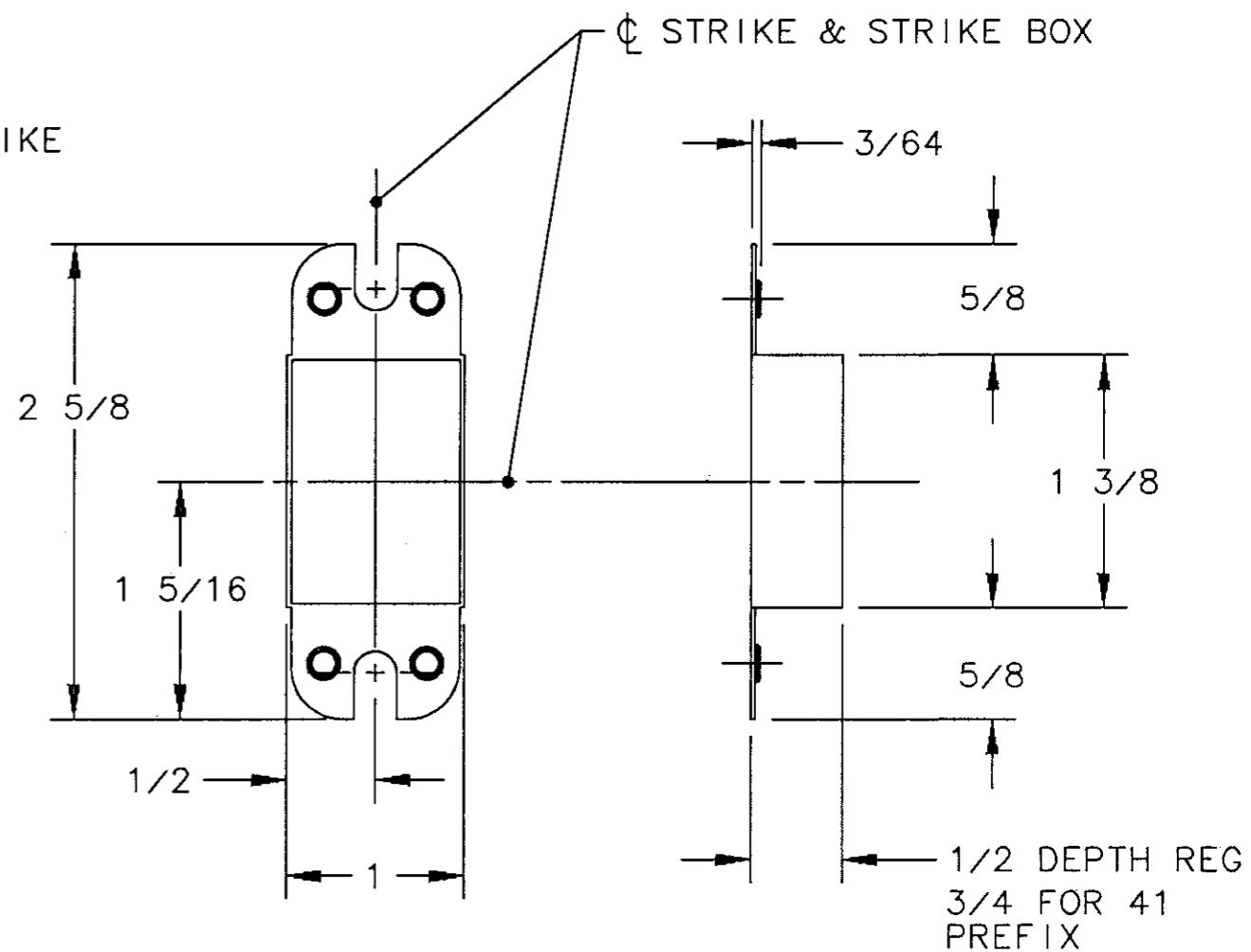
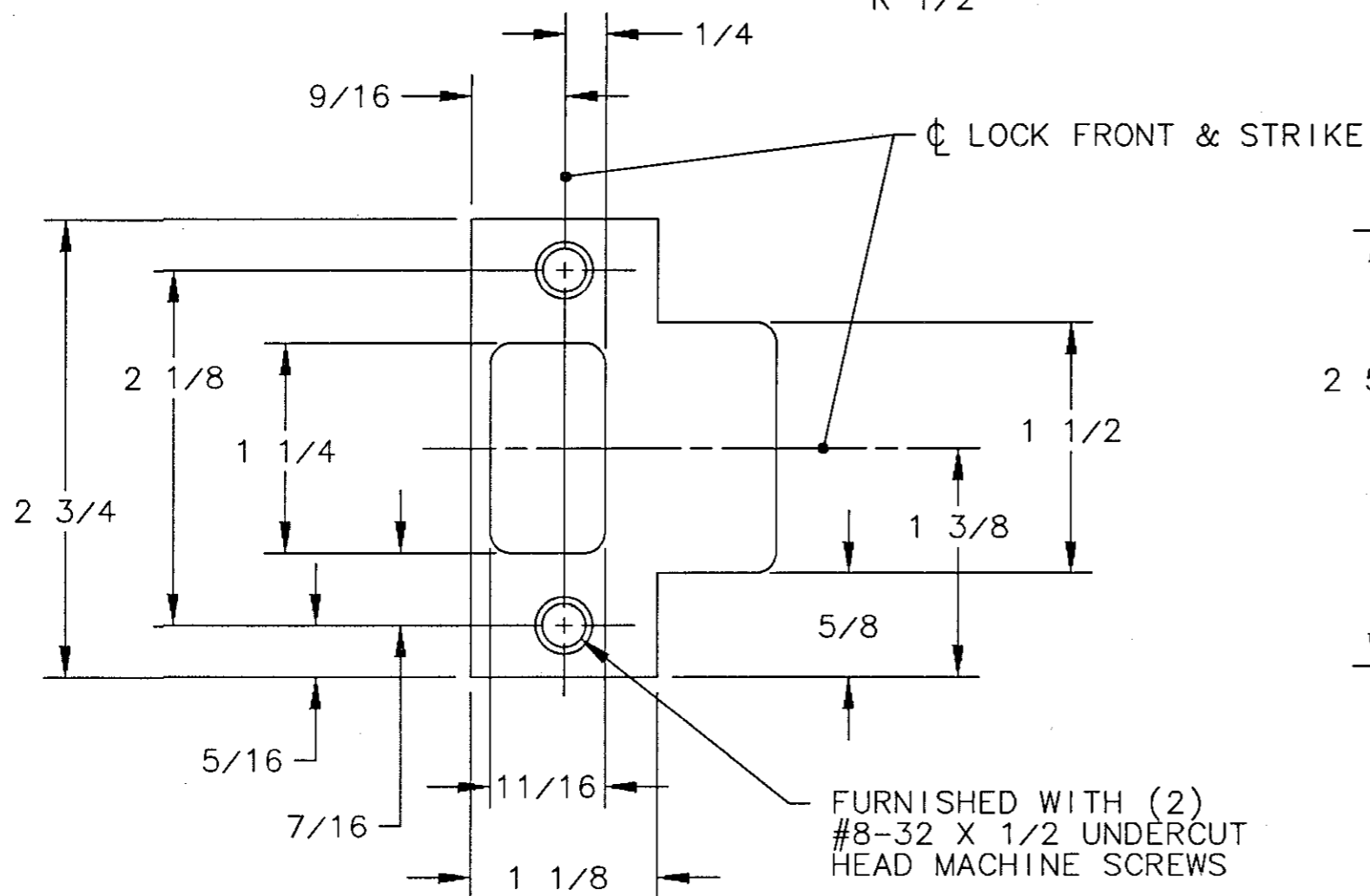
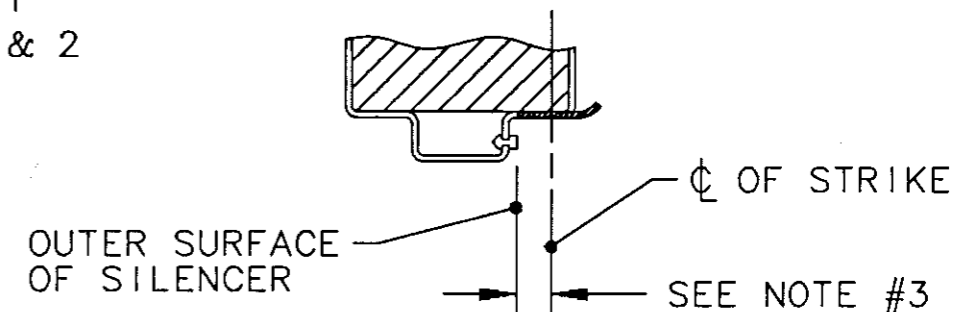
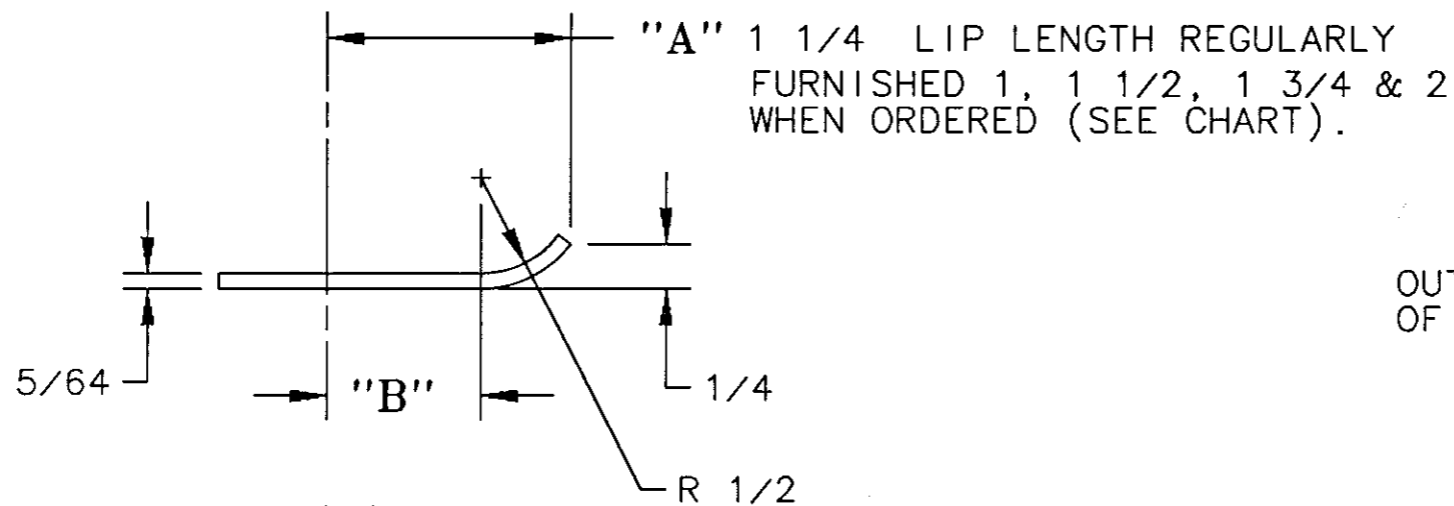


"A" LIP LENGTH	"B" START OF RAD
1	17/32
1 1/4 REG	25/32
1 1/2	1 1/32
1 3/4	1 9/32
2	1 17/32



DETAIL OF STRIKE BOX

NOTES:

- FOR LOCKS SEE VARIOUS LOCK TEMPLATES.
- DIMENSIONS SHOWN ARE MAXIMUM PART DIMENSIONS.
- WHEN DOOR SILENCERS ARE USED ON DOOR FRAMES, LOCATE CENTERLINE OF STRIKE FROM SURFACE OF DOOR SILENCER AS SHOWN.
- FRAME MANUFACTURER TO PROVIDE SUFFICIENT REINFORCEMENT.
- STRIKE OUTLINE FOR FRAME FITS CURRENT ANSI A115.2 STANDARD. 3/32 MORTISE DEPTH PERMISSIBLE FOR STRIKE OR STRIKE AND STRIKE BOX.

**SARGENT<sup>®</sup> Manufacturing Company**  
100 Sargent Drive New Haven, CT 06511

BORED LOCK STRIKE 800

RELEASE DATE  
MARCH 01  
TEMPLATE NO.  
4131N