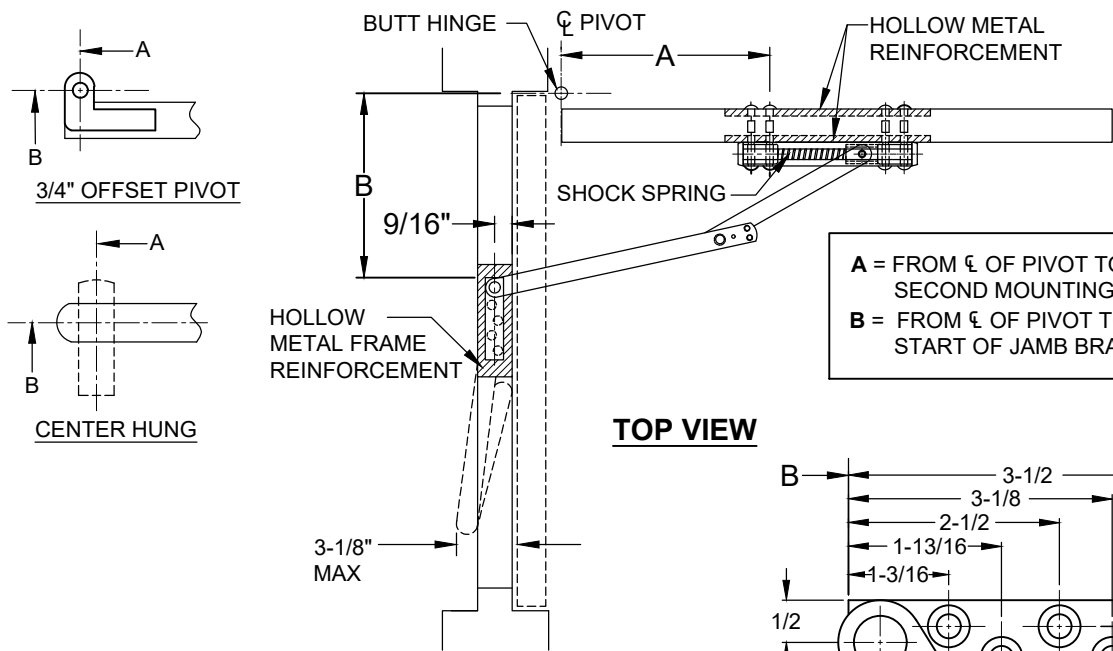
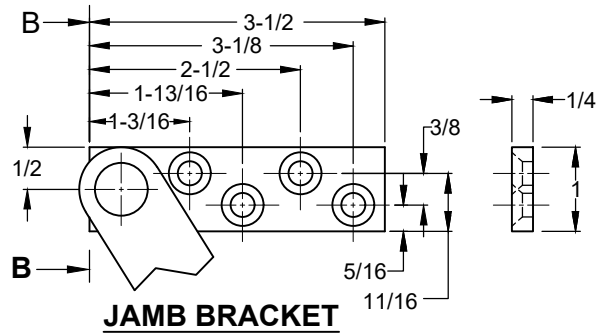


# 8000 SERIES HOLDER & STOP, SURFACE MOUNT

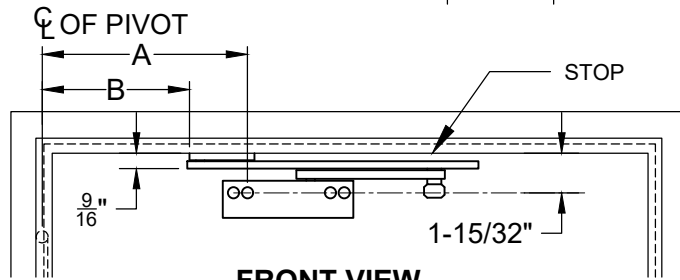


**A** = FROM  $\epsilon$  OF PIVOT TO  $\epsilon$  OF SECOND MOUNTING HOLE.  
**B** = FROM  $\epsilon$  OF PIVOT TO START OF JAMB BRACKET

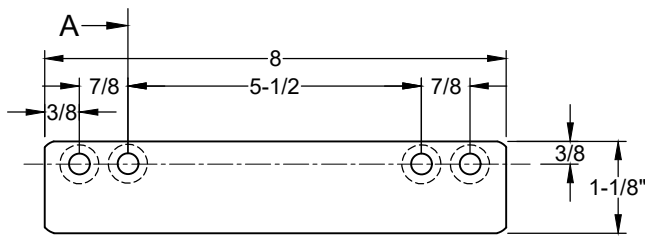
**TOP VIEW**



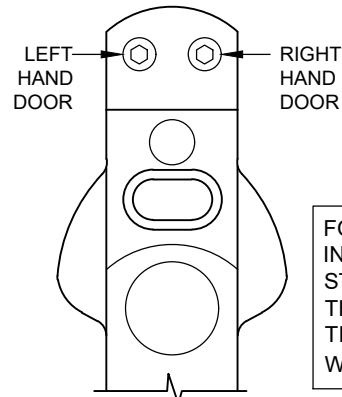
**JAMB BRACKET**



**FRONT VIEW**



**CHANNEL**



**HANDING INFO**

FOR LEFT & RIGHT HAND INSTALLATION, INSERT STOP PIN IN APPROPRIATE THREADED HOLE. TIGHTEN STOP PIN WITH  $\frac{1}{8}$ " ALLEN WRENCH.

SCREW DETAIL		
	QTY	
		WOOD
JAMB	4	● #14 x 1-1/2" FLAT HEAD WOOD SCREW
		METAL
		● 1/4-20 x 3/4" FLAT HEAD MACHINE SCREW
DOOR	4	● 1/4-20 x 2" ROUND HEAD MACHINE SCREW
	4	● 1/4-20 SEX BOLTS

**NOTES:**

1. REVERSIBLE/ NON - HANDED
2. FOR SINGLE ACTING DOORS ONLY
3. ALL DRILLING & TAPPING TO BE DONE IN FIELD.
4. ALWAYS REQUEST LATEST TEMPLATE/ DRAWING FOR NEW INSTALLATIONS.
5. ALL DIMENSIONS ARE IN INCHES.
6. DRAWING IS NOT TO SCALE.

8000-1-07.DWG



www.abhmfg.com  
 E-mail: abhinfo@abhmfg.com  
 Architectural Builders Hardware Mfg., Inc.  
 1222 Ardmore Ave., Itasca, IL 60143  
 630.875.9900; FAX 800.9FAXABH (932.9224)

©2019 ABH Mfg., Inc.  
 printed in USA

**8000**

PAGE 1 OF 2  
 REVISED 04-13-20

# 8000 SERIES HOLDERS & STOPS, SURFACE MOUNT

- 8010 HOLDER • 8020 STOP

1. FOR DEAD STOP ADD 15/16" TO "A" DIMENSION
2. ALL DIMENSIONS ARE IN INCHES.

DOOR THICK NESS	DEGREE		85° H.O.		90° H.O.		95° H.O.		100° H.O.		105° H.O.		110° H.O.	
	MODEL NO.	DOOR OPENING	A	B	A	B	A	B	A	B	A	B	A	B
1-3/4 TO 2-3/8	• 8010 • 8020	27 TO 32-7/16	10-7/8	8-9/16	10-5/16	8	9-13/16	7-1/2	9-7/16	7-1/8	9-1/16	6-7/8	8-3/4	6-7/16
	• 8011 • 8021	32-1/2 TO 38-11/16	15	11-3/16	14-5/16	10-1/2	13-11/16	9-7/8	13-3/16	9-3/8	12-3/4	8-15/16	12-3/8	8-9/16
BUTT & 3/4" OFFSET PIVOT	• 8012 • 8022	38-3/4 TO 42-7/16	19-5/8	14	18-13/16	13-3/16	18-1/16	12-7/16	17-7/16	11-13/16	16-15/16	11-5/16	16-7/16	10-13/16
	• 8013 • 8023	42-1/2 TO 54	22-1/4	15-11/16	21-5/16	14-3/4	20-9/16	14	19-13/16	13-1/4	19-3/16	12-5/8	18-3/4	12-3/16

DOOR THICK NESS	DEGREE		85° H.O.		90° H.O.		95° H.O.		100° H.O.		105° H.O.		110° H.O.	
	MODEL NO.	DOOR OPENING	A	B	A	B	A	B	A	B	A	B	A	B
1-1/4 TO 1-5/8	• 8010 • 8020	27 TO 32-7/16	11-1/8	8-13/16	10-1/2	8-5/16	10-1/8	7-13/16	9-3/4	7-7/16	9-3/8	7-1/16	9-1/16	6-3/4
	• 8011 • 8021	32-1/2 TO 38-11/16	15-3/16	11-3/8	14-7/16	10-5/8	13-7/8	10-1/16	13-3/8	9-9/16	12-7/8	9-1/16	12-1/2	8-11/16
BUTT & 3/4" OFFSET PIVOT	• 8012 • 8022	38-3/4 TO 42-7/16	19-13/16	14-3/16	18-15/16	13-5/16	18-1/4	12-5/8	17-5/8	12	17-1/16	11-7/16	16-9/16	10-15/16
	• 8013 • 8023	42-1/2 TO 54	22-7/16	15-7/8	21-1/2	14-15/16	20-3/4	14-3/16	20-1/16	13-1/2	19-7/16	12-7/8	18-15/16	12-3/8

DOOR THICK NESS	DEGREE		85° H.O.		90° H.O.		95° H.O.		100° H.O.		105° H.O.		110° H.O.	
	MODEL NO.	DOOR OPENING	A	B	A	B	A	B	A	B	A	B	A	B
1-3/4 TO 2-3/8	• 8010 • 8020	29 TO 34-15/16	11-5/8	9-5/16	11-1/16	9-11/16	10-1/2	8-5/16	10-3/16	7-7/8	9-13/16	7-1/2	9-1/2	7-3/16
	• 8011 • 8021	35 TO 41-7/16	15-11/16	11-7/8	14-15/16	11-1/8	14-1/4	10-7/16	13-7/8	10-1/16	13-7/16	9-5/8	13-1/16	9-1/4
CENTER HUNG	• 8012 • 8022	41-1/2 TO 44-15/16	20-5/16	14-11/16	19-7/16	13-13/16	18-3/4	13-1/8	18-1/16	12-7/16	17-7/16	11-13/16	17-1/16	11-7/16
	• 8013 • 8023	45 TO 56	22-7/8	16-5/16	21-15/16	15-3/8	21-1/8	14-9/16	20-7/16	13-7/8	19-13/16	13-1/4	19-1/4	12-11/16

8000-2-07.DWG



[www.abhmfg.com](http://www.abhmfg.com)  
 E-mail: [abhinfo@abhmfg.com](mailto:abhinfo@abhmfg.com)  
 Architectural Builders Hardware Mfg., Inc.  
 1222 Ardmore Ave., Itasca, IL 60143  
 630.875.9900; FAX 800.9FAXABH (932.9224)

©2019 ABH Mfg., Inc.  
printed in USA

# 8000

PAGE 2 OF 2  
REVISED 04-13-20