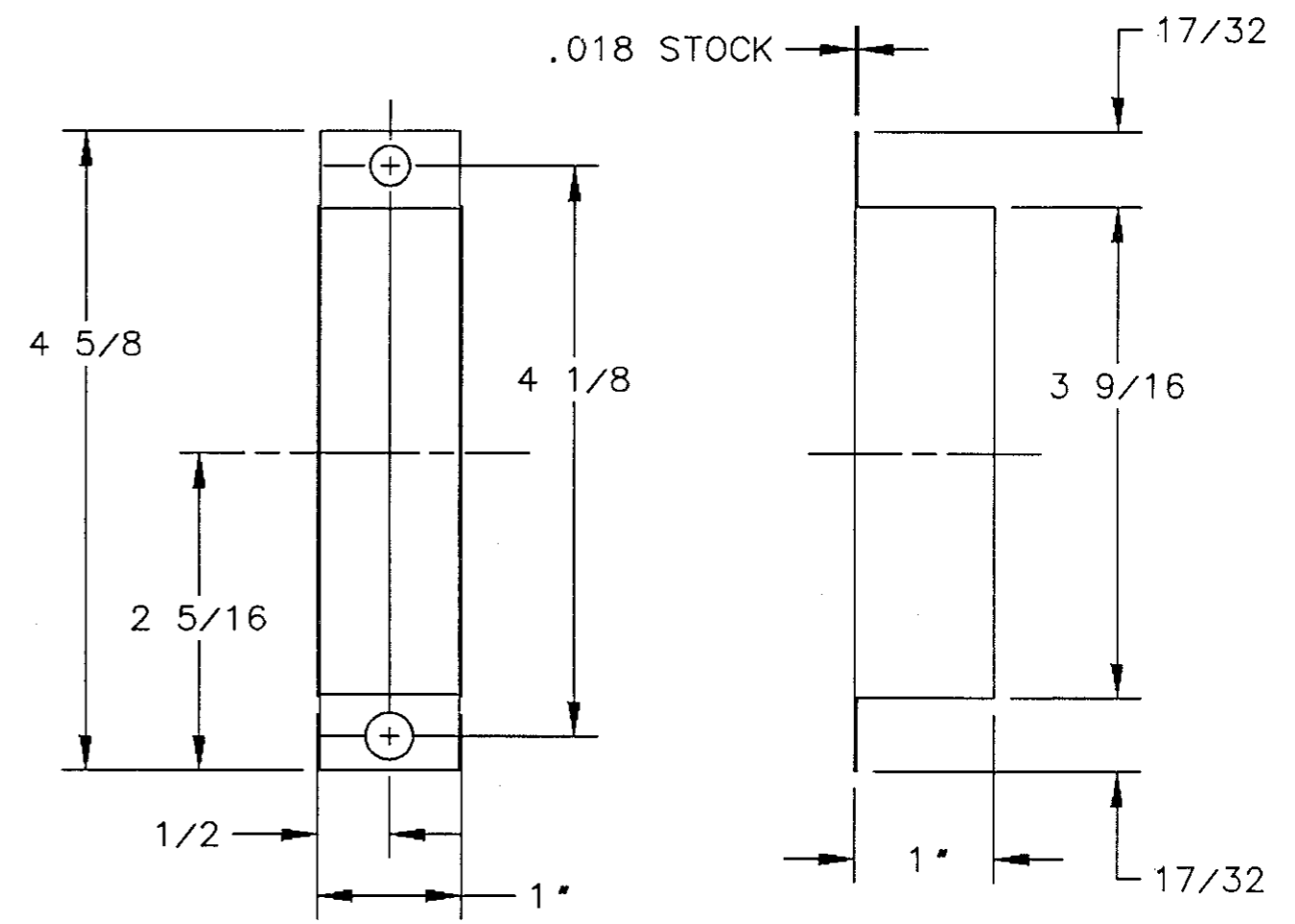
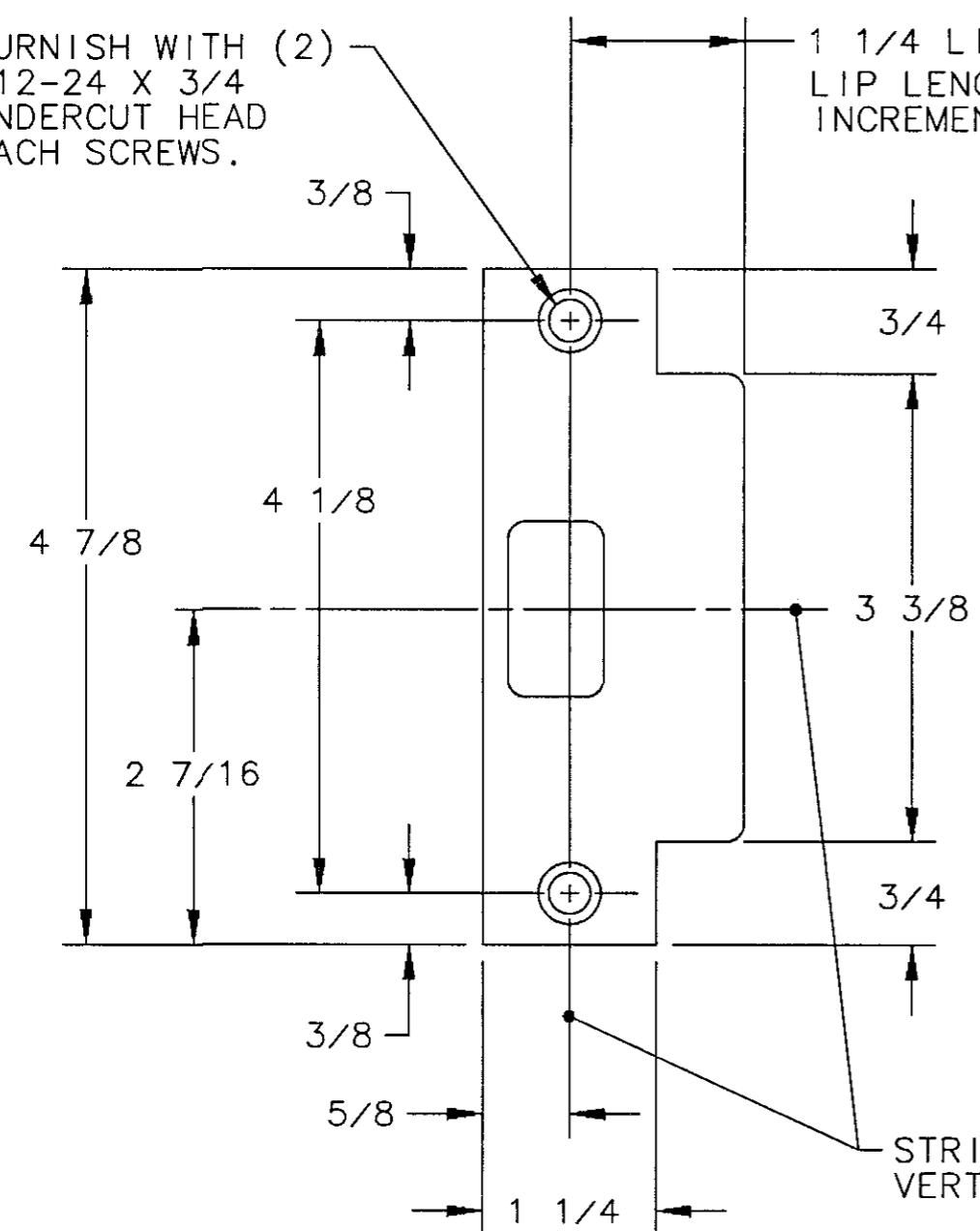


FURNISH WITH (2)
#12-24 X 3/4
UNDERCUT HEAD
MACH SCREWS.

1 1/4 LIP LENGTH REGULARLY FURNISHED.
LIP LENGTHS 1 1/8 & 1 3/8 THRU 2 7/8 IN
INCREMENTS OF 1/4 WHEN ORDERED.



STRIKE & LATCH FRONT ON SAME
VERTICAL & HORIZONTAL CENTERS.

DETAIL OF STRIKE BOX

NOTES:

1. STRIKE OUTLINE FOR FRAME FITS CURRENT ANSI A115.2 STANDARD.
2. WHEN DOOR SILENCERS ARE USED ON DOOR FRAME LOCATE CENTERLINE OF STRIKE FROM SURFACE OF DOOR SILENCER AS SHOWN.
3. DIMENSIONS SHOWN ARE MAXIMUM PART DIMENSIONS.
4. STRIKE BOX FURNISHED ONLY WHEN SO ORDERED.
5. FRAME MANUFACTURER TO PROVIDE SUFFICIENT REINFORCEMENT.

SARGENT[®] Manufacturing Company 100 Sargent Drive New Haven, CT 06511	
808 CURVED LIP STRIKE	RELEASE DATE MARCH 01 TEMPLATE NO. 4049W