

SARGENT[®]
ASSA ABLOY

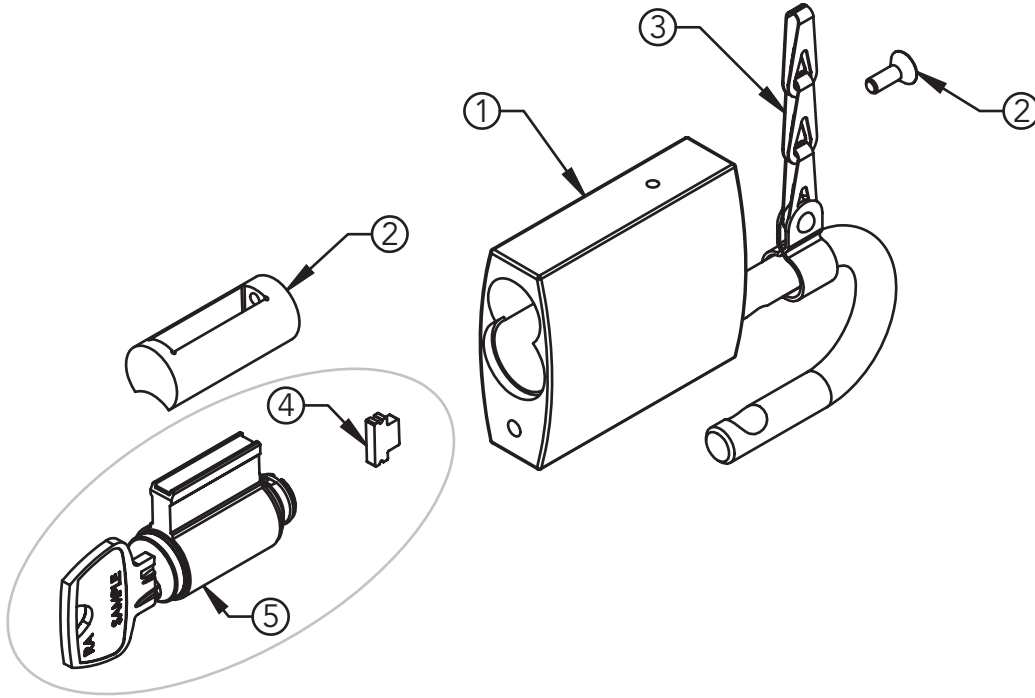
858 Padlock Parts Manual



For assistance, contact SARGENT at
800-727-5477 or www.sargentlock.com

Copyright © 2021, Sargent Manufacturing Company, an ASSA ABLOY Group company. All rights reserved.
Reproduction in whole or in part without the express written permission of Sargent Manufacturing Company is prohibited.

Experience a safer
and more open world



Padlock shown with standard cylinder, 1" shackle and with optional 9 inch chain

Item #	Part No.	Description
1	858	Padlock body with 1" Stainless Steel shackle
1	858-2	Padlock body with 2" Stainless Steel shackle
1	858-4	Padlock body with 4" Stainless Steel shackle
1	858HS	Padlock body with 1" Hardened Steel shackle
1	858HS-2	Padlock body with 2" Hardened Steel shackle
1	858HS-4	Padlock body with 4" Hardened Steel shackle
2	17-2633	Cylinder Retainer & Screw pack
3	17-2006	9 inch chain (C Suffix when ordering complete padlock) optional
4	13-1230	Tail piece only for standard cylinder, 10-, 11-, and 21- cylinders
5	C750-1	Standard 6-pin cylinder & tail piece assy. w/ 2 nickel silver keys
5	21-C750-1	Standard 6-pin cylinder & tail piece, construction keying (21- lost ball)
5	10-C750-1	Standard 6-pin cylinder & tail piece, Signature Feature (10-)
5	10-21-C750-1	Standard 6-pin cylinder & tail piece, construction keying Signature (10-21-)
5	11-C750-1	Standard 6-pin cylinder & tail piece, XC Feature (11-)
5	SC-C750-1	Standard 6-pin cylinder & tail piece with Schlage C keyway (SC)
5	SE-C750-1	Standard 6-pin cylinder & tail piece with Schlage E keyway (SE)

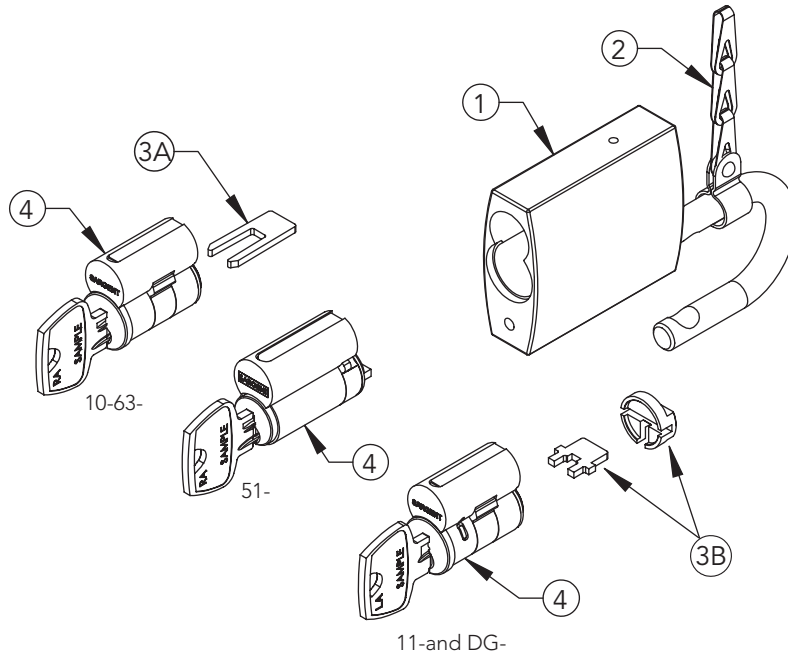
Note: All cylinders provided in US 4 finish and include 2 keys as standard. For keyed cylinders provide Key System registration number and key sets.

For optional cylinders with the padlock use one of the prefixes 10-, 11-,21, SC,SE

A8300:A 6/21

The warranty on SARGENT® products becomes void if the product is modified in any way, regardless of whether the modification causes or contributes to any alleged defect. If a SARGENT product is modified it may no longer meet industry certification and quality control standards applicable to the original product and is no longer a genuine SARGENT product.

Copyright © 2021 Sargent Manufacturing Company, an ASSA ABLOY Group company. All rights reserved. Reproduction in whole or in part without the express written permission of Sargent Manufacturing Company is prohibited.



Padlock shown with 1" shackle and with optional 9 inch chain

Item #	Part No.	Description
1	858*	Padlock body with 1" Stainless Steel shackle
1	858-2*	Padlock body with 2" Stainless Steel shackle
1	858-4*	Padlock body with 4" Stainless Steel shackle
1	858HS*	Padlock body with 1" Hardened Steel shackle
1	858HS-2*	Padlock body with 2" Hardened Steel shackle
1	858HS-4*	Padlock body with 4" Hardened Steel shackle
2	17-2006	9 inch chain (C Suffix when ordering complete padlock) optional
3A	13-1231	Tail piece only for 6300 and 10-6300 removable core cylinders
3B	17-2632	Tail piece / plastic retainer pack for 11-6300 and DG1/DG2/DG3-6300 cylinders
4	6300	Removable Core 6 pin 6300 (63-prefix)
4	10-6300	Signature Removable Core 6 pin standard (10-prefix)
4	11-6300	XC Removable Core 6 pin standard (11-prefix)
4	5134	Old style removable core cylinder (51-prefix)

Note: All cylinders provided in US 4 finish and include 2 keys as standard. Control key must be ordered separately if required.

*When ordering the padlock body, specify the cylinder as a prefix to the 858 number.

For example:

- 63-858 - 63-cylinder and the padlock body with 1" Stainless Steel shackle
- 51-858 - 51-cylinder and the padlock body with 1" Stainless Steel shackle
- 11-858 - 11-cylinder and the padlock body with 1" Stainless Steel shackle
- DG-858 - DG-cylinder and the padlock body with 1" Stainless Steel shackle

The warranty on SARGENT® products becomes void if the product is modified in any way, regardless of whether the modification causes or contributes to any alleged defect. If a SARGENT product is modified it may no longer meet industry certification and quality control standards applicable to the original product and is no longer a genuine SARGENT product.

Copyright © 2021 Sargent Manufacturing Company, an ASSA ABLOY Group company. All rights reserved. Reproduction in whole or in part without the express written permission of Sargent Manufacturing Company is prohibited.

The ASSA ABLOY Group is the global leader in access solutions. Every day, we help billions of people experience a more open world.

ASSA ABLOY Opening Solutions leads the development within door openings and products for access solutions in homes, businesses and institutions. Our offering includes doors, frames, door and window hardware, locks, perimeter fencing, access control and service.

SARGENT[®]
ASSA ABLOY

SARGENT Manufacturing Company
100 Sargent Drive
New Haven, CT 06511 USA
800-727-5477
www.sargentlock.com

Founded in the early 1800s, SARGENT[®] is a market leader in locksets, cylinders, door closers, exit devices, electro-mechanical products and access control systems for new construction, renovation, and replacement applications. The company's customer base includes commercial construction, institutional, and industrial markets.

Copyright © 2021, Sargent Manufacturing Company, an ASSA ABLOY Group company. All rights reserved. Reproduction in whole or in part without the express written permission of Sargent Manufacturing Company is prohibited. Patent pending and/or patent www.assaabloyds.com/patents.

A8300:A 06/21