

862, 863 and 864

Offset Pull Trim

Warning: Before installation, check for exit device application (See Notes).

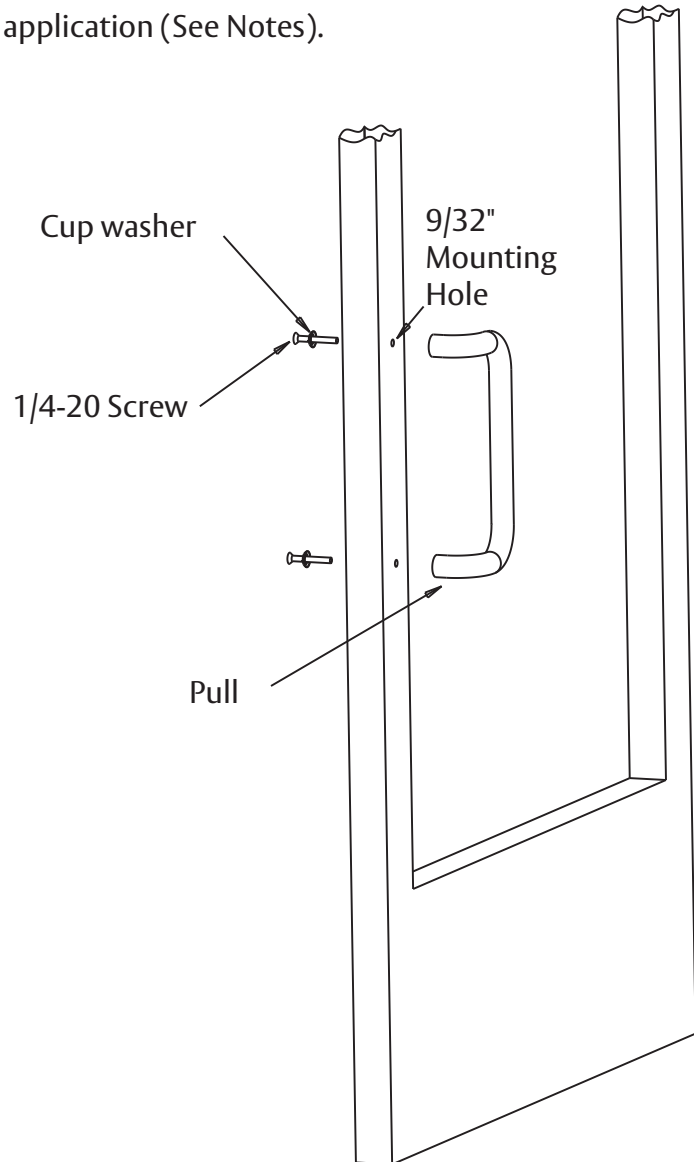
To Install the pull:

1. Determine and mark location of the mounting holes.

Attention: Confirm that the thru bolt will not interfere with concealed hardware.

Note: One of the screws may be thru bolted to an exit device chassis, except when used on a concealed vertical rod application. When used with concealed vertical rods, the pull trim must be mounted offset from the interior chassis backset. See templates 4445 & 4431 for size and location of the inner cassis.

2. Drill two 9/32" mounting holes through the door.
3. Using two 1/4-20 screws with cup washers, install the pull on the door.
4. Tighten the screws.



WARNING

This product can expose you to lead which is known to the state of California to cause cancer and birth defects or other reproductive harm. For more information go to www.P65warnings.ca.gov.

1-800-727-5477 • www.sargentlock.com

Copyright © 2009, 2021 SARGENT Manufacturing Company. All rights reserved. Reproduction in whole or in part without the express written permission of SARGENT Manufacturing Company is prohibited.

A7474B 06/21

Experience a safer
and more open world