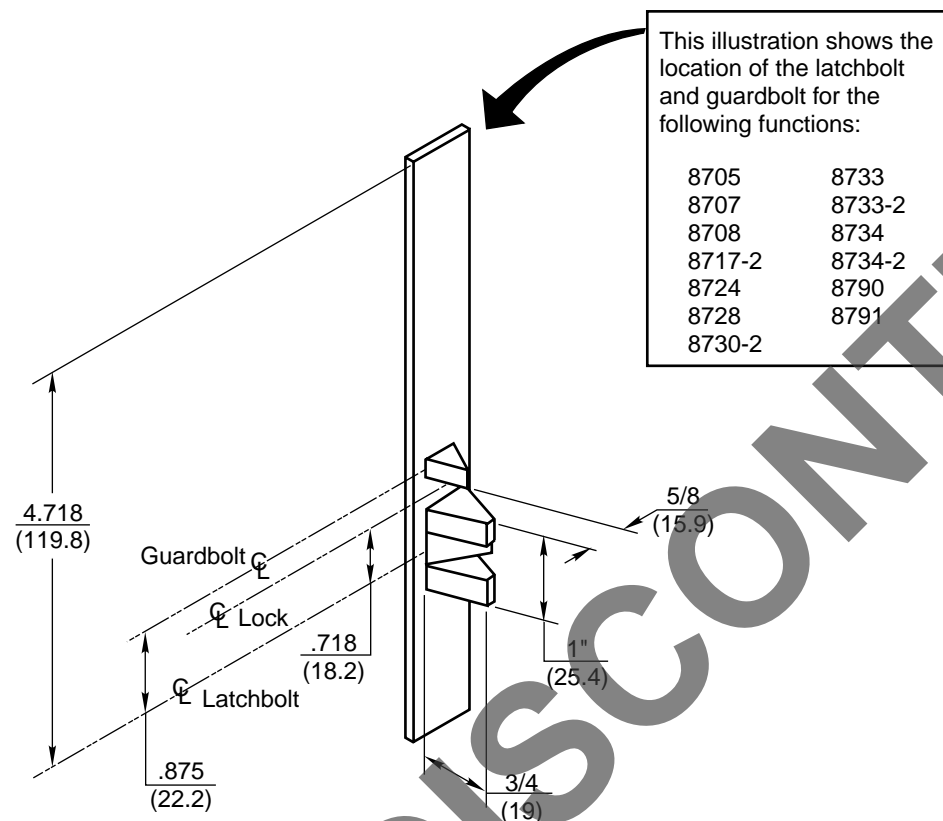
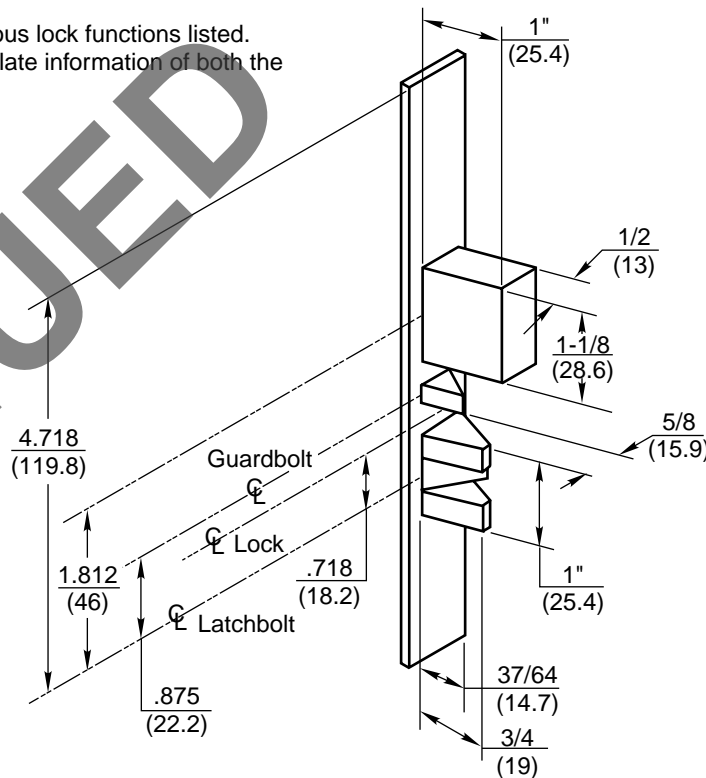


**DO NOT SCALE**

- Notes:
1. The following illustrations indicate the location of the latchbolt, deadbolt and guardbolt (when used) of the various lock functions listed.
  2. When electric door openers are specified, it is the responsibility of the hardware consultant to coordinate template information of both the lock and electric door opener with the door and frame manufacturers.
  3. All dimensions given in inches (mm) unless otherwise noted.



**LATCHBOLT FUNCTIONS**



**DEADBOLT FUNCTIONS**

**Yale Mortise Locks**  
**Bolt Position Dimensions**  
 Mechanical / Electrical / Exit Device

**Yale**  
 Yale Commercial Locks and Hardware  
 www.yalecommercial.com

TEMPLATE NUMBER	7086-0000	DATE	10-02
-----------------	-----------	------	-------