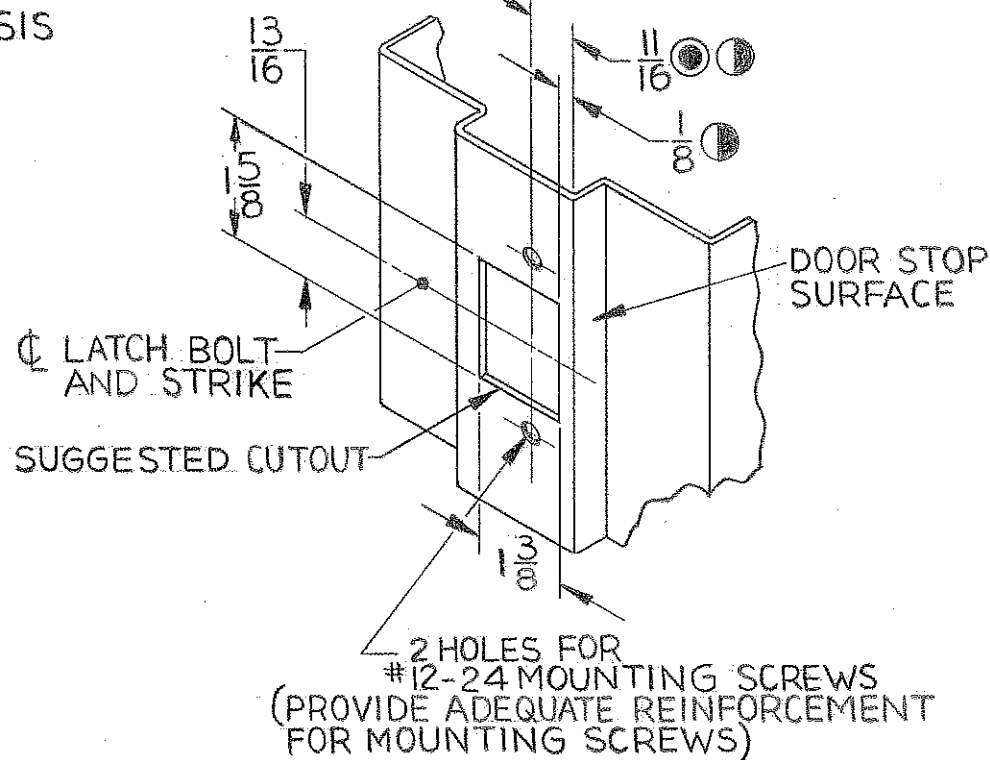
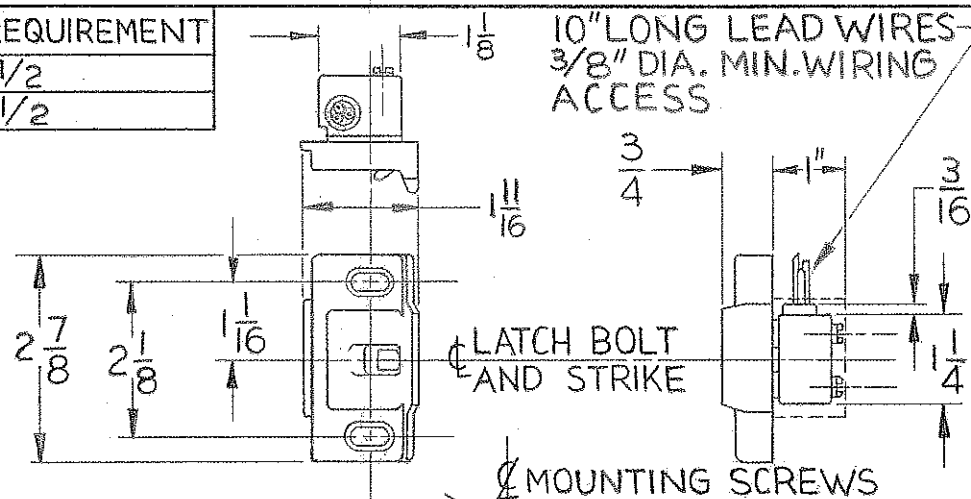
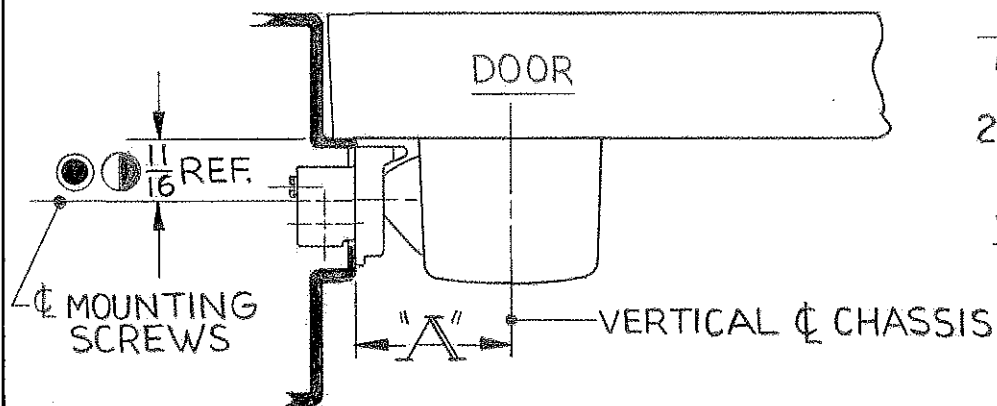


EXIT DEVICE	DIM. "A"	MIN. STILE REQUIREMENT
NARROW STILE	1 1/2	3 1/2
WIDE STILE	2 1/4	4 1/2



- ④ — INDICATES DIMENSIONS TAKEN FROM DOOR STOP SURFACE.
- ③ — FOR DOOR PREP OTHER THAN MONITOR STRIKE, SEE APPROPRIATE METAL DOOR TEMPLATE.
- ② — IF DOOR SILENCERS ARE USED ON THE DOOR FRAME, DECREASE THIS DIMENSION ACCORDINGLY.
- ① — FRACTIONAL TOLERANCE $\pm 1/32$.

SARGENT & COMPANY

NEW HAVEN 9, CONN.

METAL DOOR TEMPLATE:
881 MONITOR STRIKE x
RIM TYPE EXIT DEVICE

RELEASE DATE
29 NOV 89
TEMPLET NO.
4386A