



PDQ Manufacturing
2230 Embassy Dr.
Lancaster, PA 17603
866-874-3662
www.pdqlocks.com

Installation Template for MRS Sectional Mortise Locksets Excluding STS

THIS SIDE OF TEMPLATE FOR INSIDE OF LH/LHR DOORS

88321 REV1

ANSI STANDARD:

MRS SERIES MORTISE LOCKS ARE INSTALLED FOLLOWING THE DOOR AND FRAME REQUIREMENTS FOUND IN ANSI/BHMA A156.13.

DOORS:

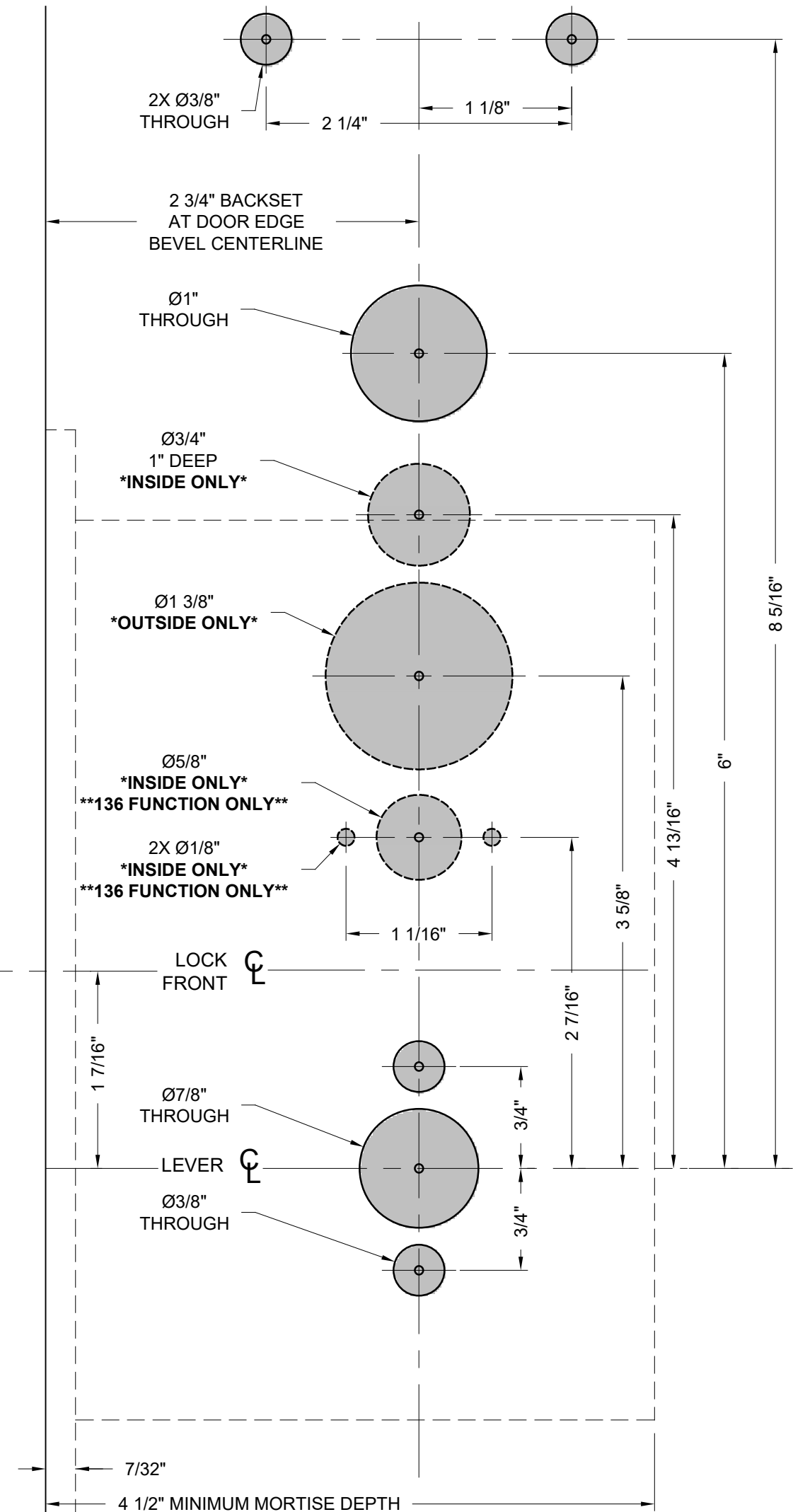
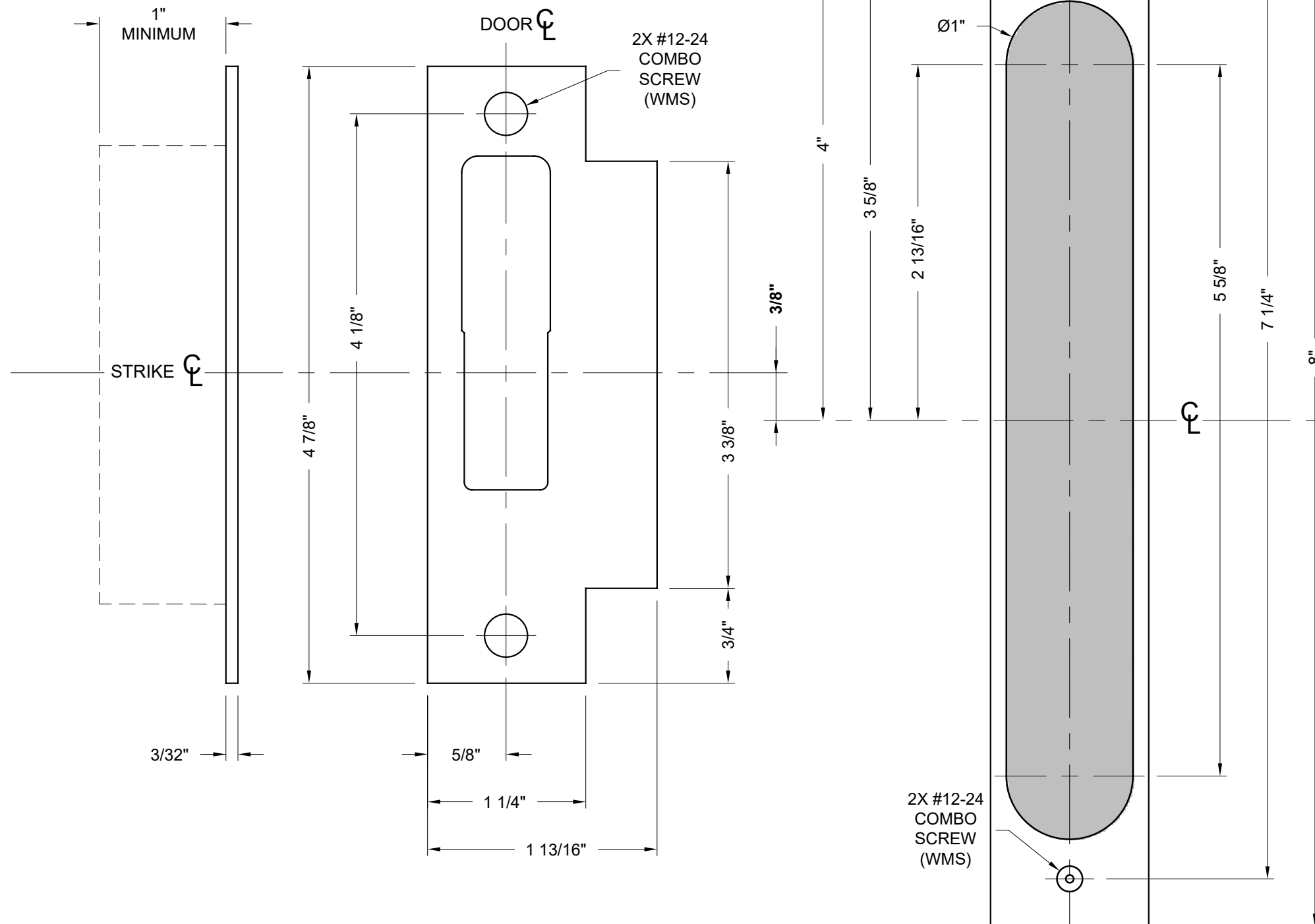
REINFORCEMENT IS REQUIRED PER ANSI A115.1.

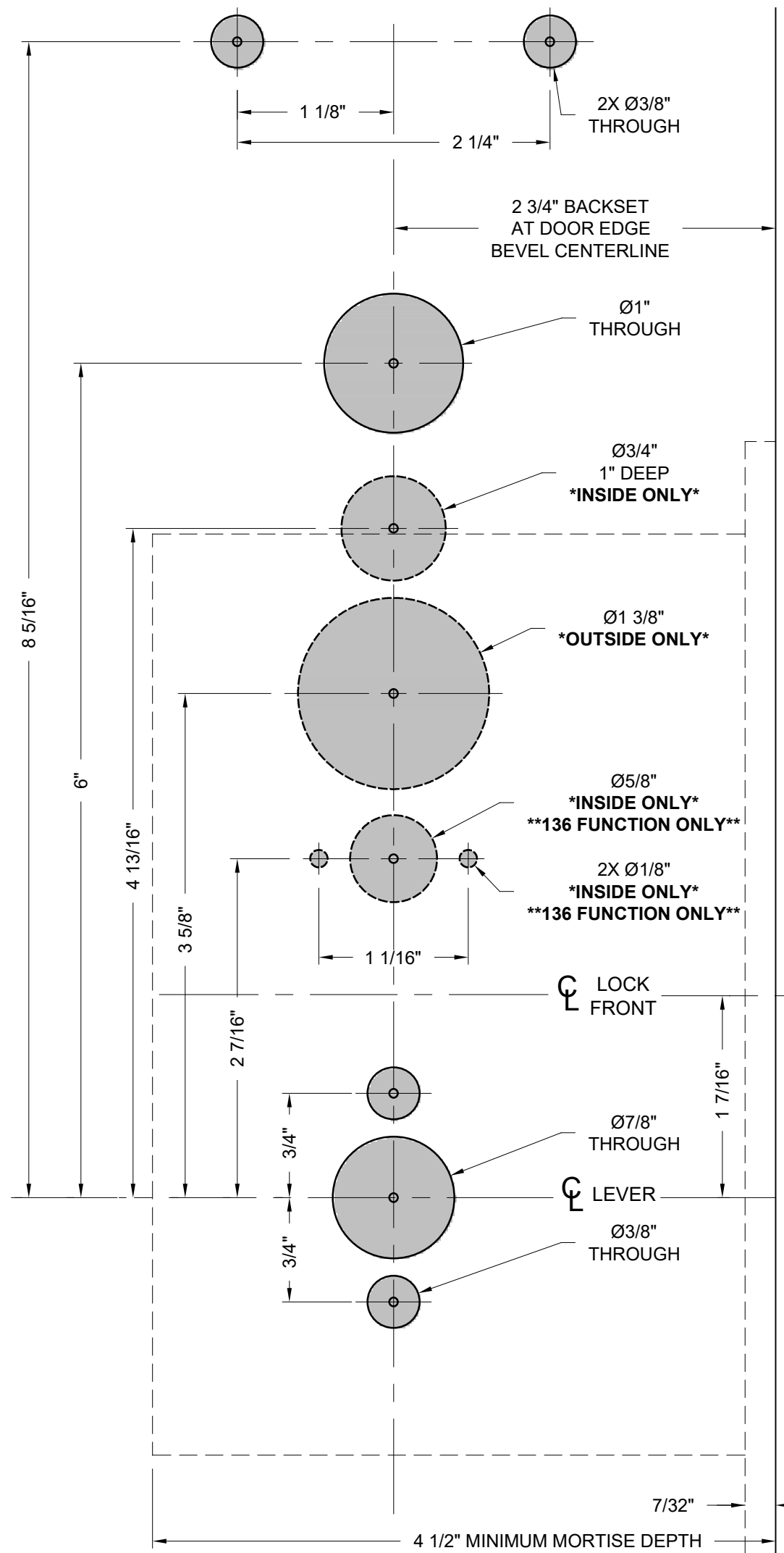
DOOR THICKNESS:

STANDARD DOOR THICKNESS IS 1-3/4". CONSULT FACTORY FOR OTHER DOOR SIZES.

SILENCERS AND WEATHER STRIPPING:

PROVISIONS MUST BE MADE TO ALLOW PROPER DOOR CLOSURE WHEN USING DOOR SILENCERS, WEATHER STRIPPING OR SOUND PROOFING.





THIS SIDE OF TEMPLATE FOR INSIDE OF RH/RHR DOORS

88321 REV1

ANSI STANDARD:
 MRS SERIES MORTISE LOCKS ARE INSTALLED FOLLOWING THE DOOR AND FRAME REQUIREMENTS FOUND IN ANSI/BHMA A156.13.

DOORS:
 REINFORCEMENT IS REQUIRED PER ANSI A115.1.

DOOR THICKNESS:
 STANDARD DOOR THICKNESS IS 1-3/4". CONSULT FACTORY FOR OTHER DOOR SIZES.

SILENCERS AND WEATHER STRIPPING:
 PROVISIONS MUST BE MADE TO ALLOW PROPER DOOR CLOSURE WHEN USING DOOR SILENCERS, WEATHER STRIPPING OR SOUND PROOFING.



PDQ Manufacturing
 2230 Embassy Dr.
 Lancaster, PA 17603
 866-874-3662
 www.pdqlocks.com

Installation Template for MRS Sectional Mortise Locksets Excluding STS

