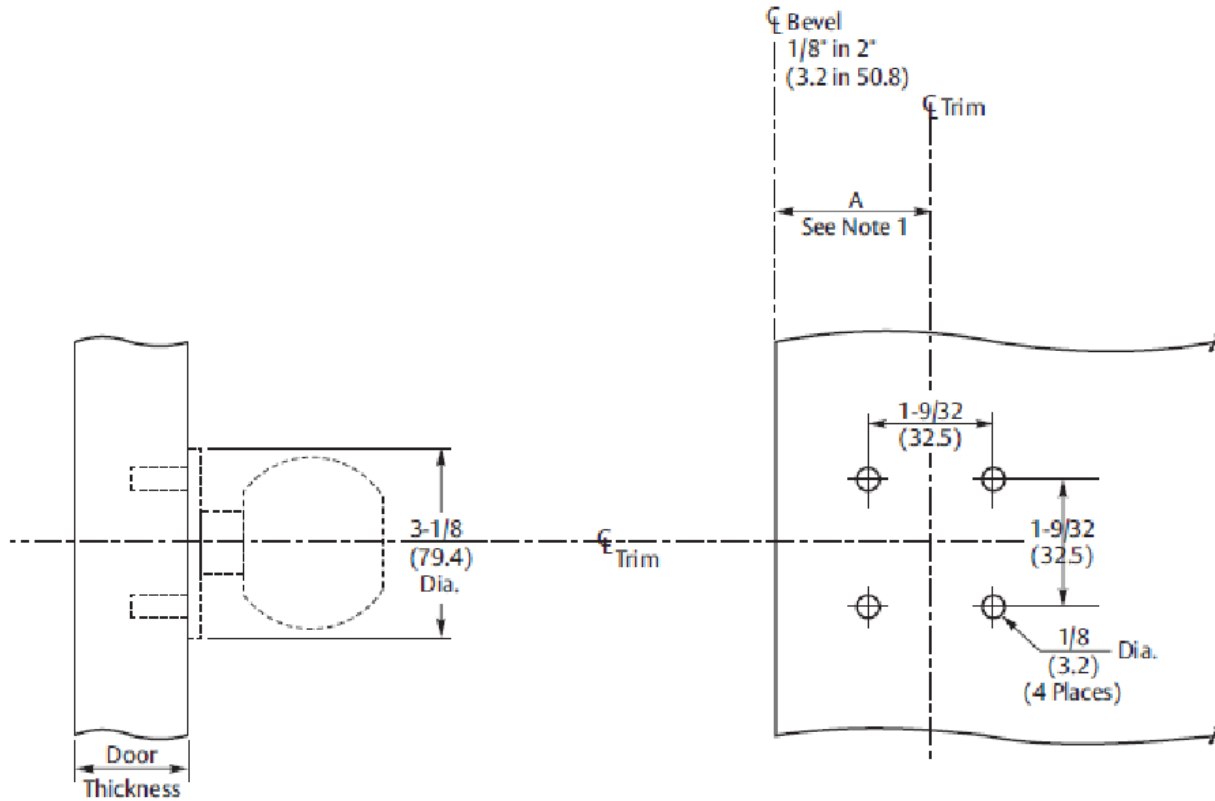


Notes:

1. Backset is measured from centerline of bevel which is centerpoint of door thickness.
2. Door prep with 2-3/4" (70) backset meets ANSI/BHMA A156.115 standards for steel doors and ANSI/BHMA A156.115W standards for wood doors.
3. Dimensions given in inches and (mm).



Backset Dim. "A"	
2-3/4 (69.9)	Regular
2-3/8 (60.3)	Optional

8X Line
Grade 1 Knob Locks
Dummy Trim
Wood or Metal Door Preparation (See ANSI/BHMA A156.115)

SARGENT

ASSA ABLOY

www.sargentlock.com

TEMPLATE NUMBER **4733 A** DATE **03-16**