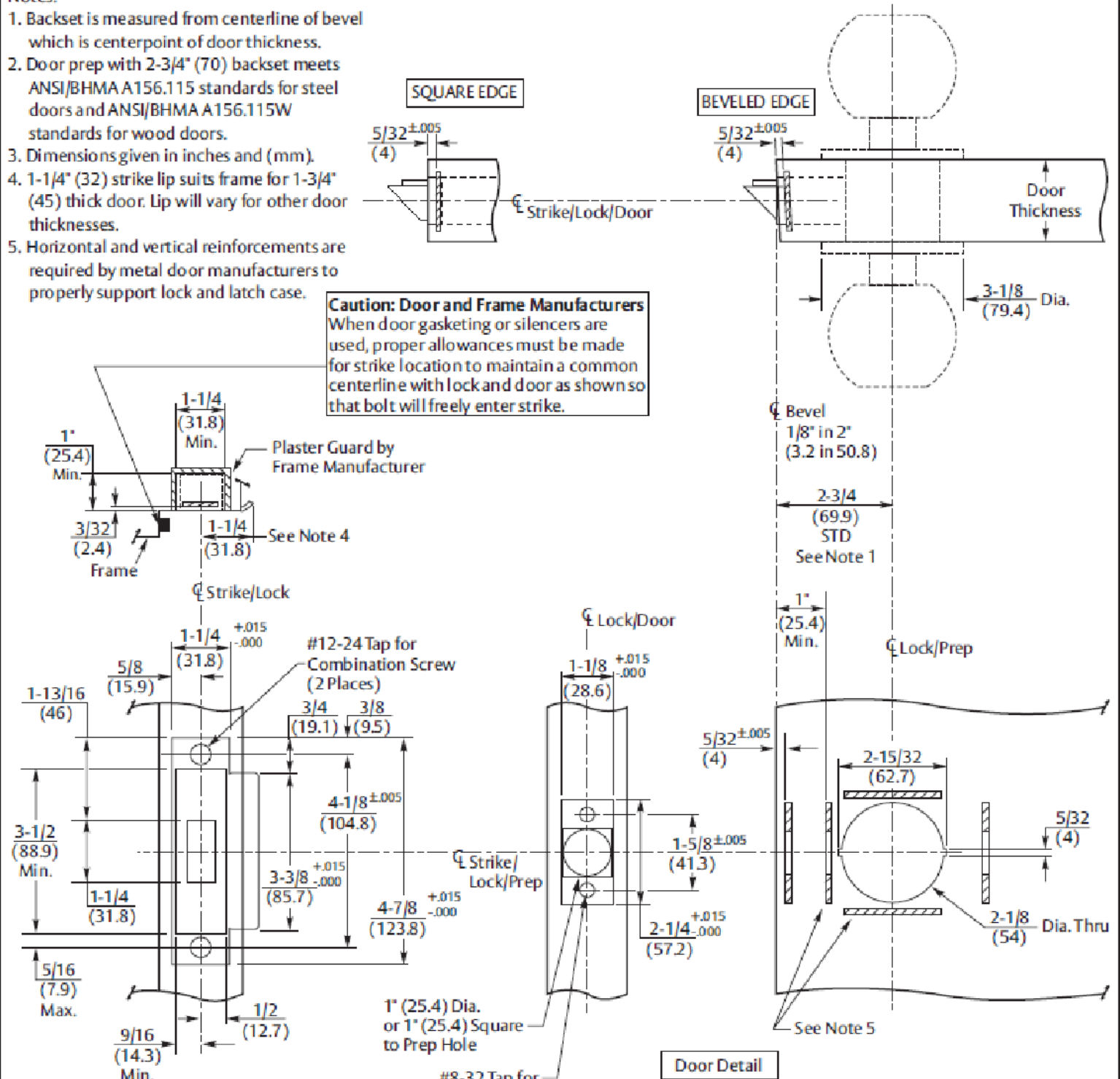


Notes:

1. Backset is measured from centerline of bevel which is centerpoint of door thickness.
2. Door prep with 2-3/4" (70) backset meets ANSI/BHMA A156.115 standards for steel doors and ANSI/BHMA A156.115W standards for wood doors.
3. Dimensions given in inches and (mm).
4. 1-1/4" (32) strike lip suits frame for 1-3/4" (45) thick door. Lip will vary for other door thicknesses.
5. Horizontal and vertical reinforcements are required by metal door manufacturers to properly support lock and latch case.

Caution: Door and Frame Manufacturers
 When door gasketing or silencers are used, proper allowances must be made for strike location to maintain a common centerline with lock and door as shown so that bolt will freely enter strike.



Frame Detail
 ANSI Strike (Regularly Furnished)
 Strike Box (Optional)

Door Detail

Tolerance Conversion	
Inches	(mm)
.005	(.127)
.015	(.381)

**8X Line
 Grade 1 Knob Locks
 Wood or Metal Door Preparation (See ANSI/BHMA A156.115)**

SARGENT
ASSA ABLOY

www.sargentlock.com

TEMPLATE NUMBER **4732 A** DATE **03-16**