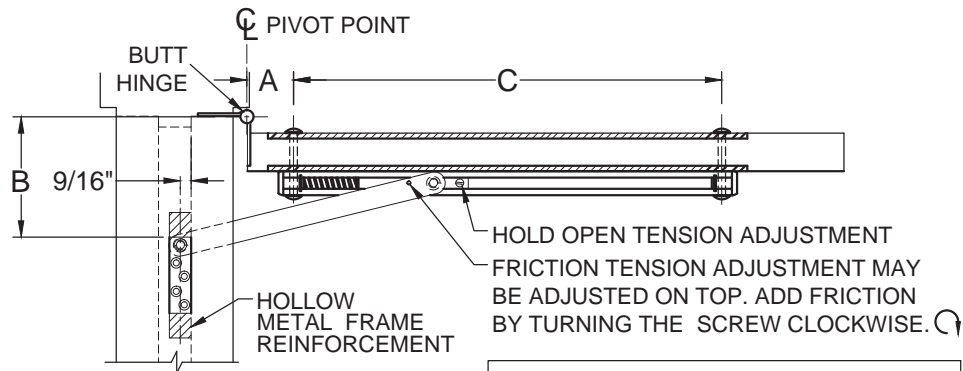
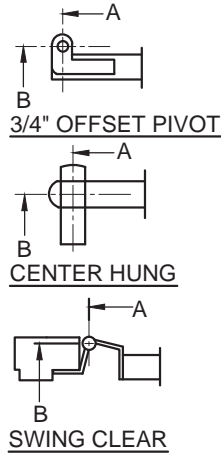
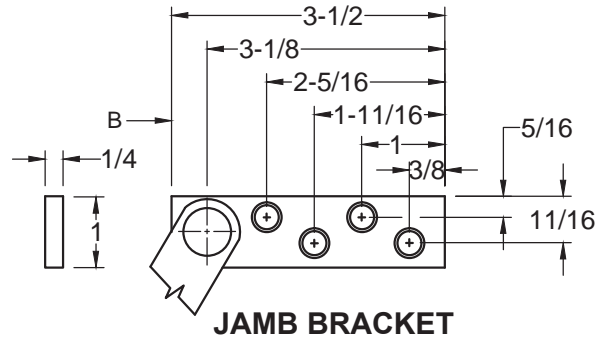


9000 SERIES HOLDERS & STOPS

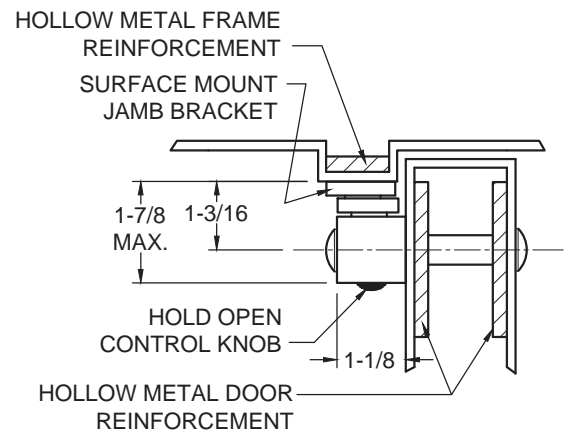
SURFACE MOUNT



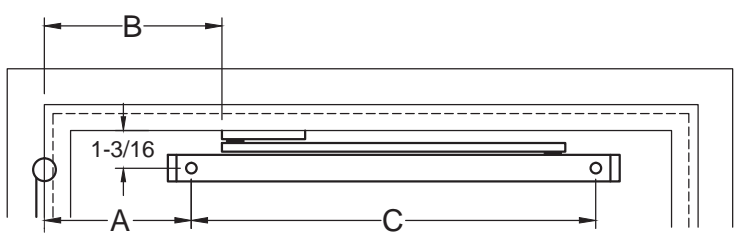
A = ϕ OF PIVOT POINT TO ϕ OF FIRST SEX BOLT.
B = ϕ OF PIVOT POINT TO START OF JAMB BRACKET
C = ϕ OF FIRST SEX BOLT TO ϕ OF SECOND SEX BOLT.



ALIGN FRICTION TENSION ADJUSTMENT SCREW TO THIS HOLE. ADD FRICTION BY TURNING THE SCREW COUNTERCLOCKWISE.



SINGLE ACTING DOOR



NOTES:

1. REVERSIBLE/ NON - HANDED
2. FOR SINGLE ACTING DOORS ONLY
3. ALL DRILLING & TAPPING TO BE DONE IN FIELD.
4. ALWAYS REQUEST LATEST TEMPLATE/ DRAWING FOR NEW INSTALLATIONS.
5. ALL DIMENSIONS ARE IN INCHES, UNLESS NOTED OTHERWISE.
6. DRAWING IS NOT TO SCALE

SCREW DETAIL			
	QTY	WOOD	METAL
JAMB	4	● #14 x 1-1/2" FLAT HEAD WOOD SCREW	● 1/4-20 x 3/4" FLAT HEAD MACHINE SCREW
DOOR	2	● 5/16-18 x 2" TRUSS HEAD MACHINE SCREW ● 1/2" DIA. SEX BOLT	

9000 SERIES SURFACE HOLDERS & STOPS

SURFACE MOUNT

- 9010 HOLD-OPEN ● 9020 STOP ● 9030 FRICTION

1. FOR DEAD STOP ADD 5/8" TO "A" DIMENSION
 2. ALL DIMENSIONS ARE IN INCHES.

* BUTT HINGES ONLY
 ** BUTT HINGES & OFFSET PIVOTS ONLY

DOOR THICKNESS	DEGREE		85° H.O.		90° H.O.		95° H.O.		100° H.O.		105° H.O.		110° H.O.		C
	MODEL NO.	DOOR OPENING	A	B	A	B	A	B	A	B	A	B	A	B	
1-3/4" TO 2-1/4"	●9018 ●9028 ●9038	24 TO 27-15/16	** 3-3/8	** 5-1/2	** 3	** 5-7/16	** 2-3/4	** 4-13/16	** 2-1/2	** 4-5/16	* 2-1/4	* 4-5/16	—	—	17-1/2
	●9011 ●9021 ●9031	28 TO 29-15/16	** 3-1/16	** 7-9/16	** 2-9/16	** 7-1/16	** 2-1/4	** 6-3/4	** 1-15/16	** 6-7/16	** 1-5/8	** 6-1/8	** 1-3/8	** 5-7/8	20-1/2
	●9012 ●9022 ●9032	30 TO 31-15/16	** 5-3/16	** 8	** 4-11/16	** 7-1/2	** 4-5/16	** 7-1/8	** 4	** 6-13/16	** 3-11/16	** 6-1/2	** 3-7/16	** 6-1/4	20-15/16
BUTT HINGE, SWING CLEAR HINGE OR 3/4" OFFSET PIVOT	●9013 ●9023 ●9033	32 TO 35-15/16	** 5-15/16	** 8-5/8	** 5-3/8	** 8-1/16	** 5	** 7-11/16	** 4-5/8	** 7-5/16	** 4-5/16	** 7	** 4	** 6-11/16	21-5/8
	●9014 ●9024 ●9034	36 TO 39-15/16	** 8-7/8	** 9-11/16	** 8-1/4	** 9-1/16	** 7-13/16	** 8-5/8	** 7-3/8	** 8-3/16	** 7-1/16	** 7-7/8	** 6-11/16	** 7-1/2	22-13/16
	●9015 ●9025 ●9035	40 TO 41-15/16	** 11-3/4	** 10-3/4	** 11-1/16	** 10-1/16	** 10-5/8	** 10-5/8	** 10-1/16	** 9-1/16	** 9-11/16	** 8-11/16	** 9-5/16	** 8-5/16	24
	●9016 ●9026 ●9036	42 TO 43-15/16	** 13-3/16	** 11-1/4	** 12-1/2	** 10-9/16	** 12	** 10-1/16	** 11-1/2	** 9-9/16	** 11-1/16	** 9-1/8	** 10-5/8	** 8-11/16	24-9/16
	●9017 ●9027 ●9037	44 TO 56	** 14-11/16	** 11-13/16	** 13-15/16	** 11-1/16	** 13-3/8	** 10-1/2	** 12-7/8	** 10	** 12-3/8	** 9-1/2	** 11-15/16	** 9-1/16	25-1/8

CENTER HUNG	DEGREE		85° H.O.		90° H.O.		95° H.O.		100° H.O.		105° H.O.		110° H.O.		C
	MODEL NO.	DOOR OPENING	A	B	A	B	A	B	A	B	A	B	A	B	
	● 9018 ● 9028 ● 9038	26 TO 29-15/16	4	6-5/8	3-3/4	6	3-1/2	5-9/16	3-3/4	4	3-5/8	3-3/4	3-1/2	3-7/16	17-1/2
	● 9011 ● 9021 ● 9031	30 TO 33-15/16	3-5/8	8-1/8	3-3/16	7-11/16	2-13/16	7-5/16	2-1/2	7	2-1/4	6-3/4	2	6-1/2	20-1/2
	● 9012 ● 9022 ● 9032	34 TO 35-15/16	5-13/16	8-5/8	5-3/8	7-3/16	4-15/16	7-3/4	4-5/8	7-7/16	4-5/16	7-1/8	4-1/16	6-7/8	20-15/16
	● 9013 ● 9023 ● 9033	36 TO 38-15/16	6-9/16	9-1/4	6-1/16	9-3/4	5-5/8	8-5/16	5-1/4	7-15/16	4-15/16	7-5/8	4-5/8	7-5/16	21-5/8
	● 9014 ● 9024 ● 9034	39 TO 40-15/16	9-1/2	10-5/16	8-15/16	10-3/4	8-7/16	9-1/4	8	8-13/16	7-5/8	8-7/16	7-1/4	8-1/16	22-13/16
	● 9015 ● 9025 ● 9035	41 TO 44-15/16	12-7/16	11-7/16	11-13/16	10-13/16	11-1/4	10-1/4	10-3/4	9-3/4	10-5/16	9-5/16	9-15/16	9-3/16	24
	● 9016 ● 9026 ● 9036	45 TO 46-15/16	13-7/8	11-15/16	13-3/16	11-1/4	12-9/16	10-5/8	12-1/16	10-1/8	11-5/8	9-11/16	11-1/4	9-5/16	24-9/16
	● 9017 ● 9027 ● 9037	47 TO 56	15-3/8	12-1/2	14-11/16	11-13/16	14-1/16	10-5/8	13-1/2	10-5/8	13	10-1/8	12-5/8	9-3/4	25-1/8