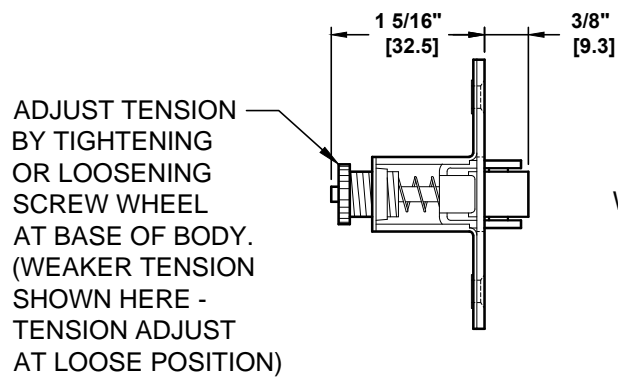


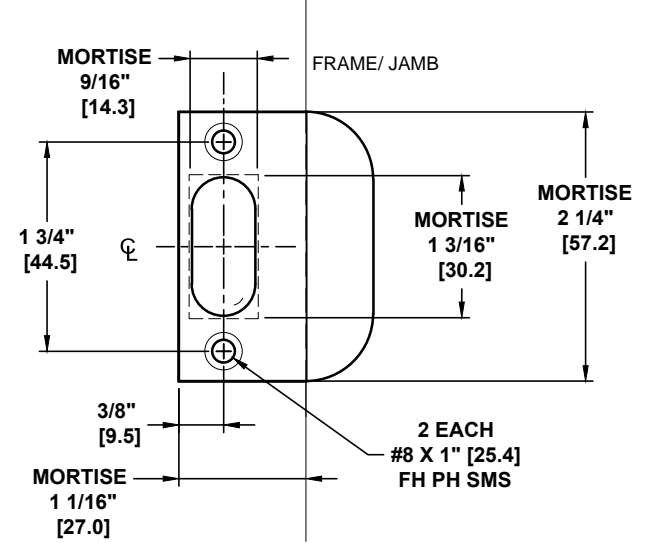
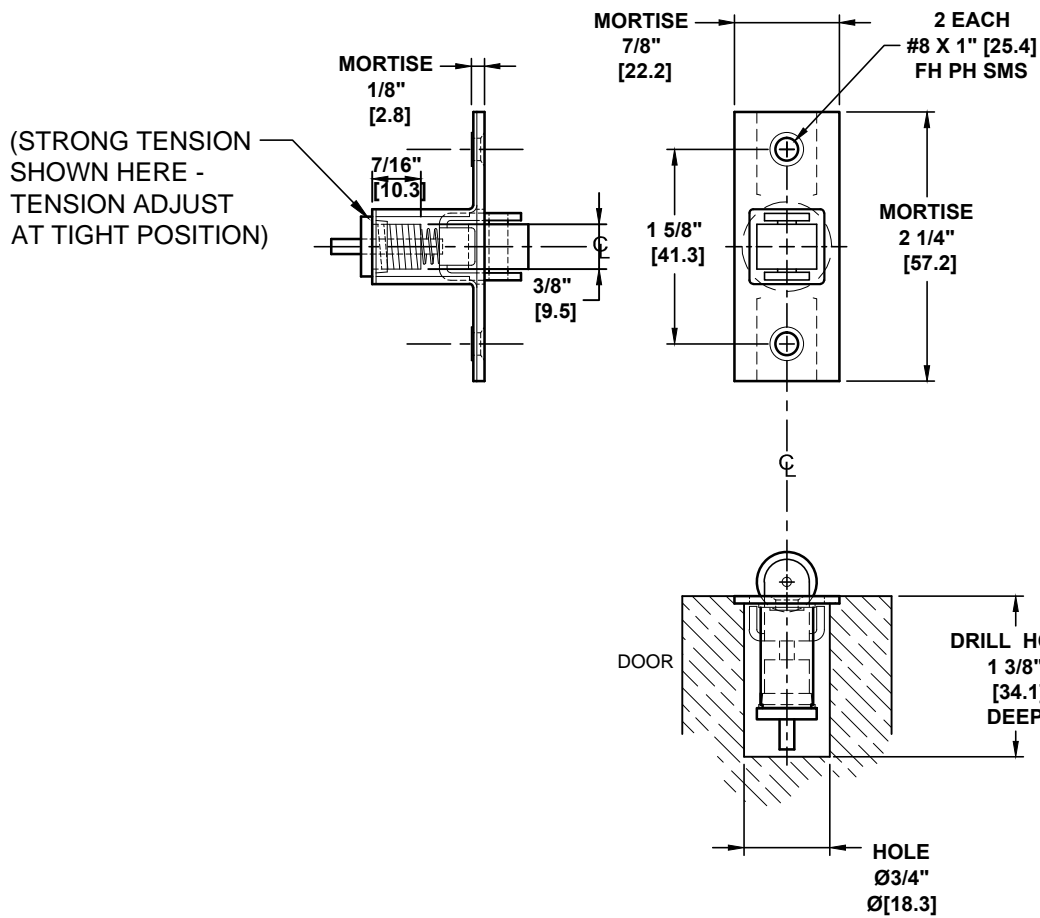
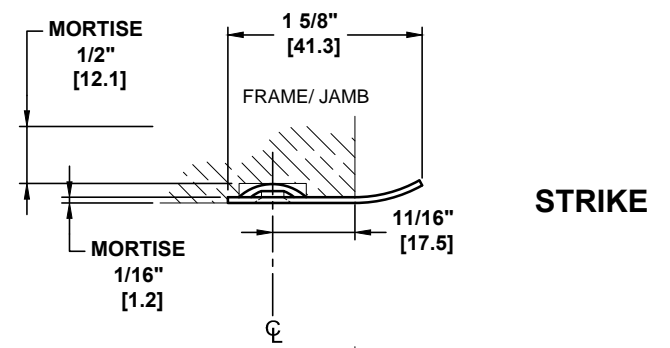
# 575 ADJUSTABLE ROLLER LATCH FOR METAL AND WOOD DOORS

TEMPLATE: 939219  
REV. 0 03-17-15

NOT TO SCALE



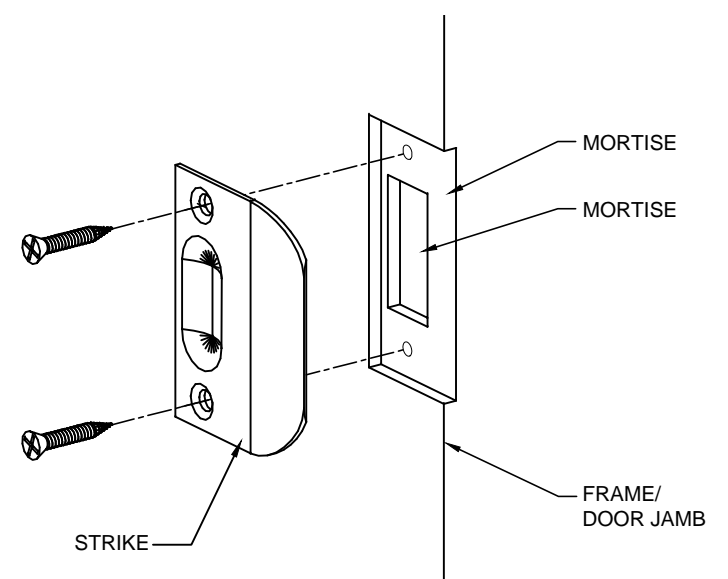
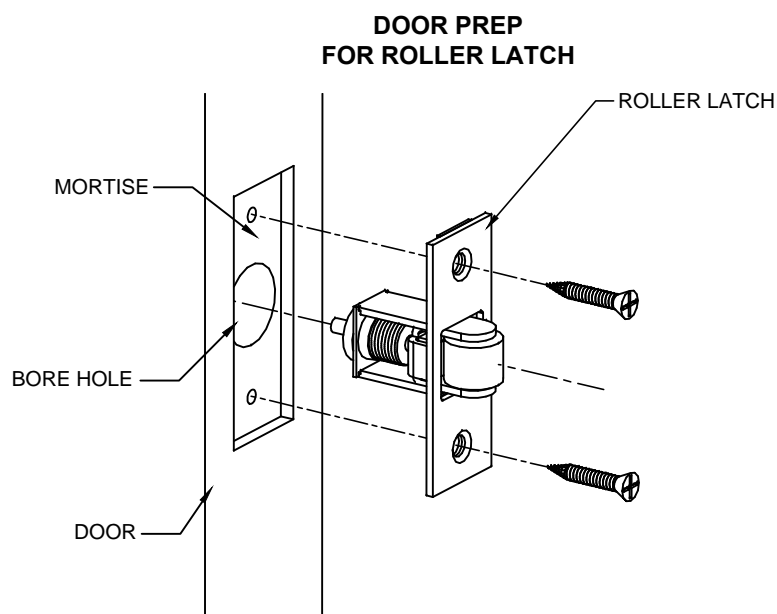
**ROLLER LATCH  
WITH ADJUSTABLE TENSION**



## INSTRUCTIONS:

1. INSTALL ROLLER LATCH ON DOOR EDGE.  
USE ROLLER TO MARK DOOR JAMB TO ALIGN STRIKE WITH LATCH.
2. INSTALL STRIKE.
3. REMOVE ROLLER LATCH TO ADJUST TENSION.

**FRAME/ DOOR JAMB PREP  
FOR STRIKE**



## NOTES:

1. DIMENSIONS IN **INCHES** [MM] .
2. ALWAYS CHECK PDQ WEBSITE FOR THE MOST RECENT TEMPLATE REVISION AT [WWW.PDQLOCKS.COM](http://WWW.PDQLOCKS.COM)



PDQ Manufacturing  
2754 Creek Hill Rd.  
Leola, PA 17540  
800-441-9692  
Fax: 717-656-6892  
[www.pdqlocks.com](http://www.pdqlocks.com)