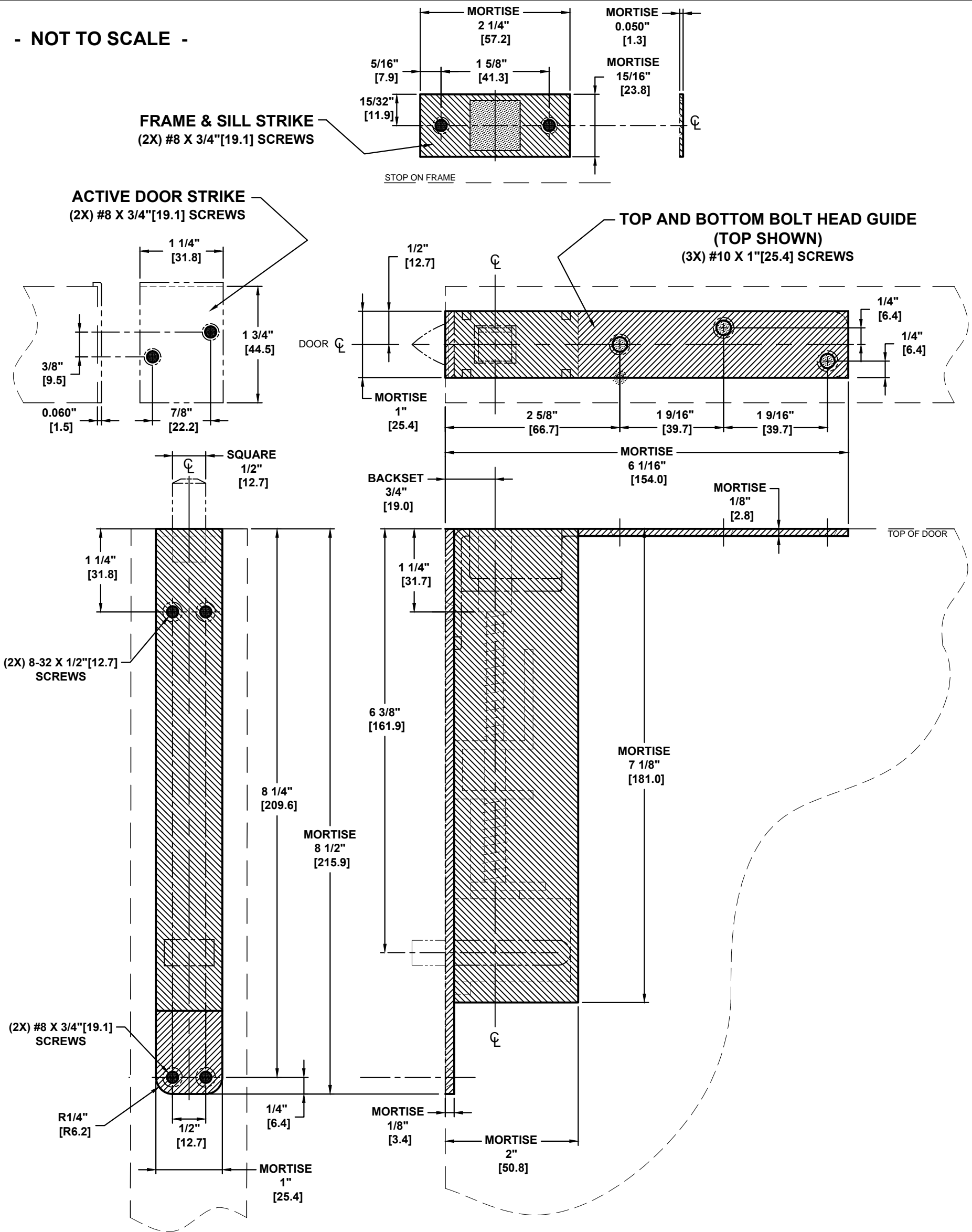


93203 AUTOMATIC FLUSH BOLT FOR WOOD DOOR APPLICATIONS

TEMPLATE: 939306
REV. 0 08-26-14

- NOT TO SCALE -



NOTES:

- DIMENSIONS IN **INCHES** [MM].
- BOTTOM FIRE BOLT:
THE BOTTOM FIRE BOLT WILL PROJECT DURING A FIRE.
DO NOT COVER WITH ANY EDGE MOUNTED DOOR HARDWARE.
- ALWAYS CHECK PDQ WEBSITE FOR THE MOST RECENT
TEMPLATE REVISION AT WWW.PDQLOCKS.COM

PAGE 1 OF 2



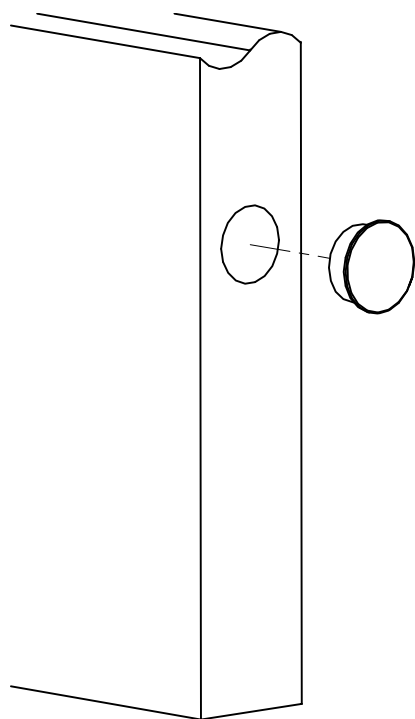
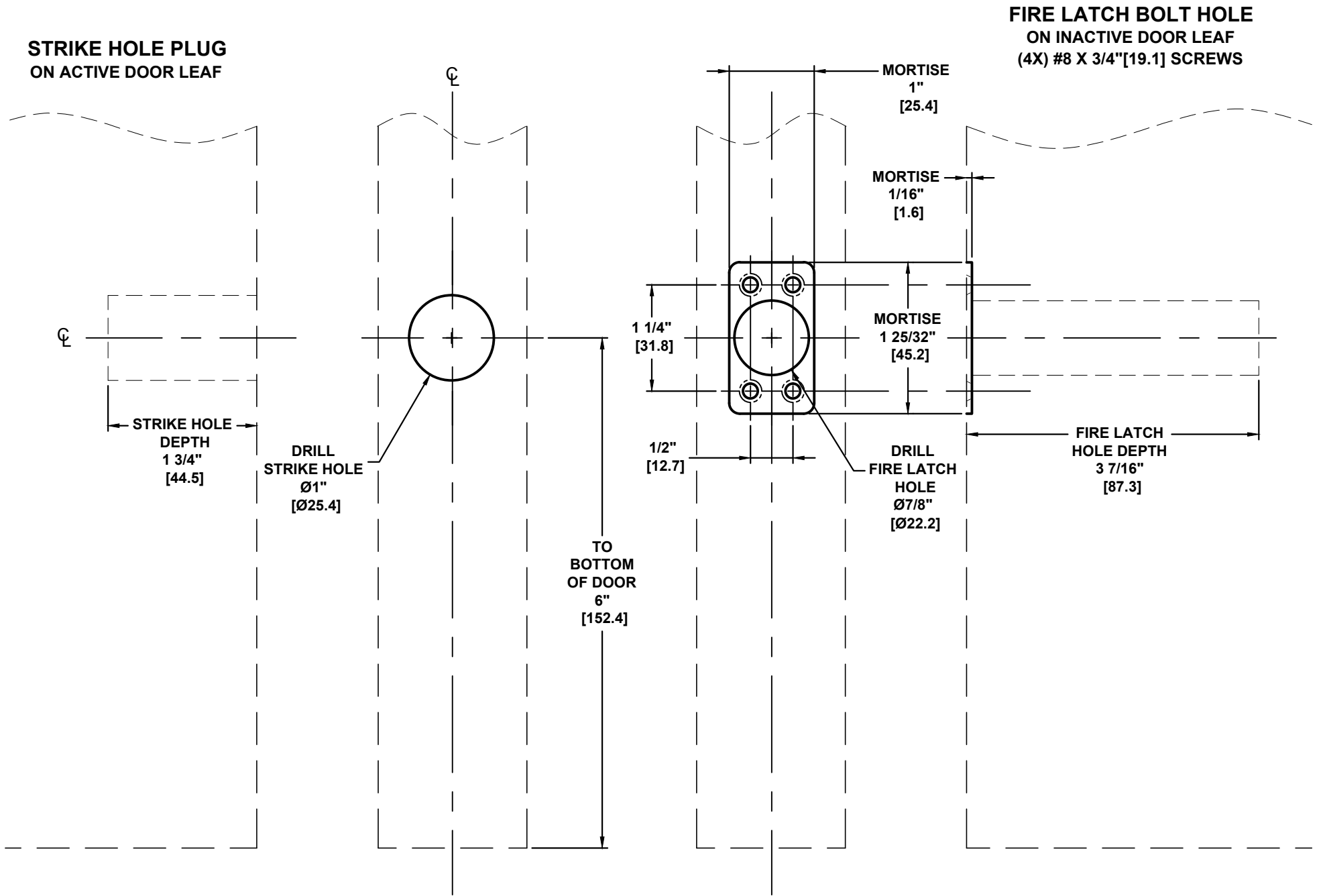
PDQ Manufacturing
2754 Creek Hill Rd.
Leola, PA 17540
800-441-9692
Fax: 717-656-6892
www.pdqlocks.com

93203 AUTOMATIC FLUSH BOLT WITH FIRE LATCH BOLT FOR WOOD DOOR APPLICATIONS

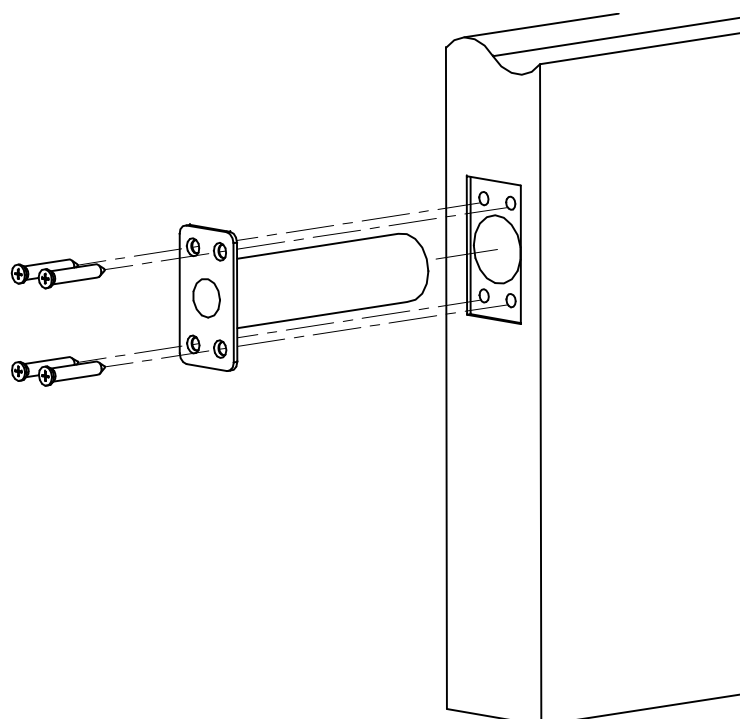
TEMPLATE: 939306
REV. 0 08-26-14

- NOT TO SCALE -

FIRE LATCH BOLT SHOWN



ACTIVE DOOR LEAF



INACTIVE DOOR LEAF

FIRE LATCH BOLT MOUNTING INSTRUCTIONS:

- A. INSERT FIRE LATCH BOLT INTO THE HOLE IN THE INACTIVE DOOR LEAF, THEN SECURE IT BY PROVIDED SCREWS.
- B. INSERT PLUG INTO THE 1" DIAMETER STRIKE HOLE.

PAGE 2 OF 2



PDQ Manufacturing
2754 Creek Hill Rd.
Leola, PA 17540
800-441-9692
Fax: 717-656-6892
www.pdqlocks.com