

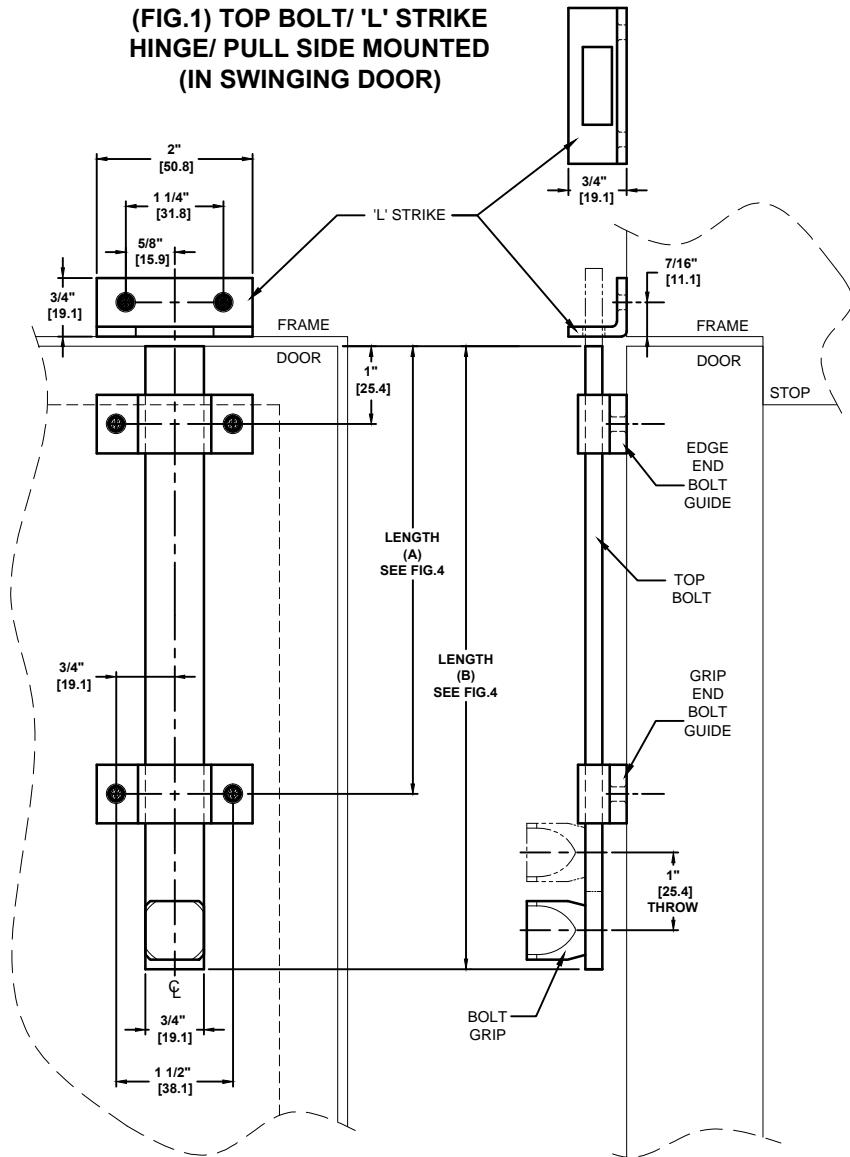
# 460/ 461 SURFACE BOLTS (8" & 12") FOR STEEL OR WOOD DOORS

TEMPLATE: 939314  
REV. 0 12-10-14

460 SHOWN BELOW

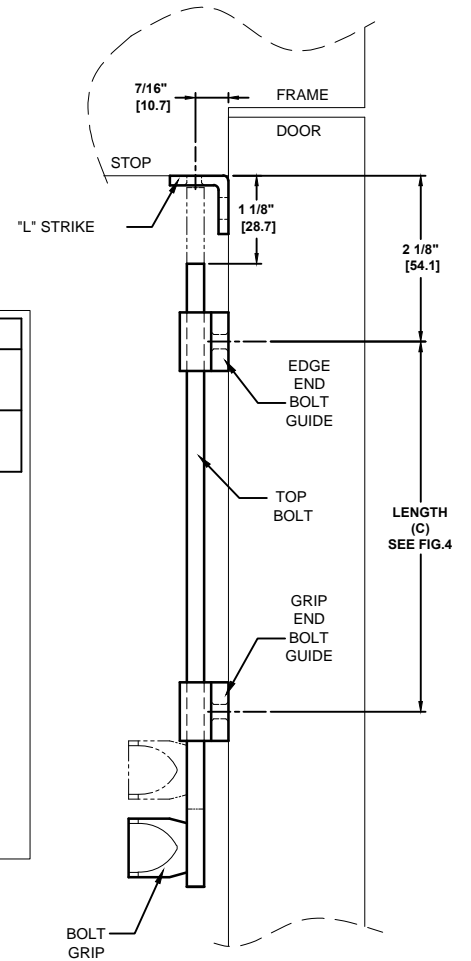
NOT TO SCALE

(FIG.1) TOP BOLT/ 'L' STRIKE  
HINGE/ PULL SIDE MOUNTED  
(IN SWINGING DOOR)



NOTE:  
DRILL ALL MOUNTING HOLES FOR  
#8 X 1-1/4" FL HD SMS SCREWS  
(8) SCREWS INCLUDED

(FIG.3) TOP BOLT/ 'L' STRIKE  
STOP/ PUSH SIDE MOUNTED  
(OUT SWINGING DOOR)

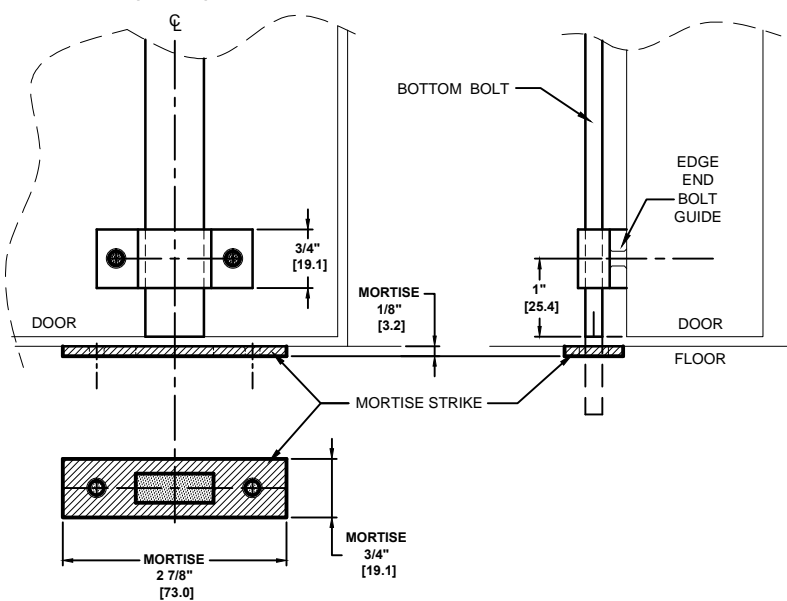


(FIG.4) LENGTHS/ DIMENSIONS

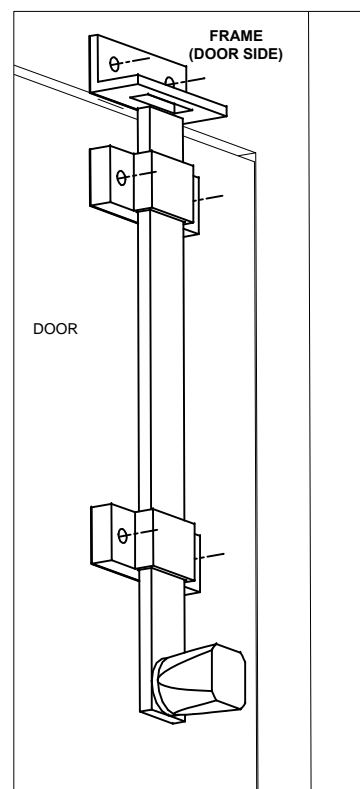
MODEL#	(A)	(B)	(C)
460	5-3/4" [146.1]	8" [203.2]	4-3/4" [120.7]
461	9-3/4" [247.7]	12" [304.8]	8-3/4" [222.3]

(A) = TOP/ BOTTOM EDGE  
OF DOOR TO CENTER OF  
GRIP END BOLT GUIDE  
(HINGE SIDE MOUNTED  
AND BOTTOM BOLT.  
SEE FIG.3 FOR STOP SIDE  
MOUNTED TOP BOLT)  
(B) = OVERALL BOLT LENGTH  
(C) = CENTER OF  
EDGE END BOLT GUIDE  
TO CENTER OF  
GRIP END BOLT GUIDE

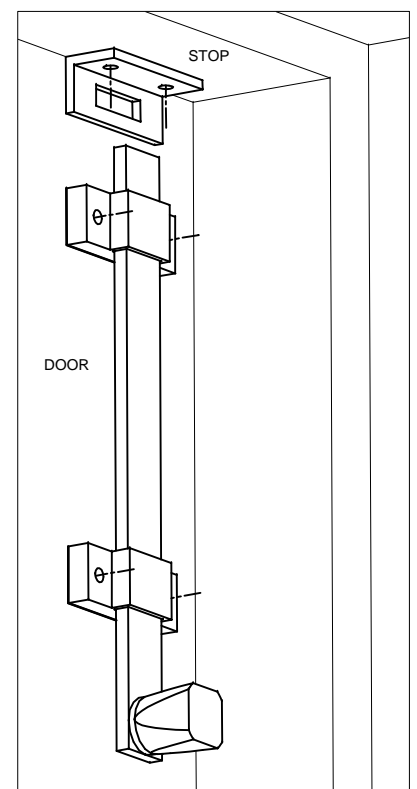
(FIG.2) BOTTOM BOLT/ MORTISE STRIKE



(FIG.5) TOP BOLT/ 'L' STRIKE  
HINGE/ PULL SIDE MOUNTED  
(IN SWINGING DOOR)



(FIG.6) TOP BOLT/ 'L' STRIKE  
STOP/ PUSH SIDE MOUNTED  
(OUT SWINGING DOOR)



INSTRUCTIONS:

1. DETERMINE SIDE OF DOOR TO WHICH BOLTS ARE TO BE APPLIED.
2. DRILL AND TAP MOUNTING HOLES IN DOOR FOR BOLT GUIDES.
3. MOUNT BOLT ASSEMBLY ONTO DOOR.
4. SELECT APPROPRIATE TOP OR BOTTOM STRIKE.  
ALIGN EACH STRIKE WITH BOLT AND  
ATTACH WITH REMAINING SCREWS.

NOTES:

1. DIMENSIONS IN INCHES [MM]
2. HOLLOW METAL DOOR AND FRAME SHOULD BE PROPERLY REINFORCED WITH A 3/16" [4.8] MINIMUM THICKNESS PLATE.
3. ALWAYS CHECK PDQ WEBSITE FOR THE MOST RECENT TEMPLATE REVISION AT WWW.PDQLOCKS.COM



PDQ Manufacturing  
2754 Creek Hill Rd.  
Leola, PA 17540  
800-441-9692  
Fax: 717-656-6892  
www.pdqlocks.com