

# 906 DOOR VIEWER W/ PRIVACY COVER

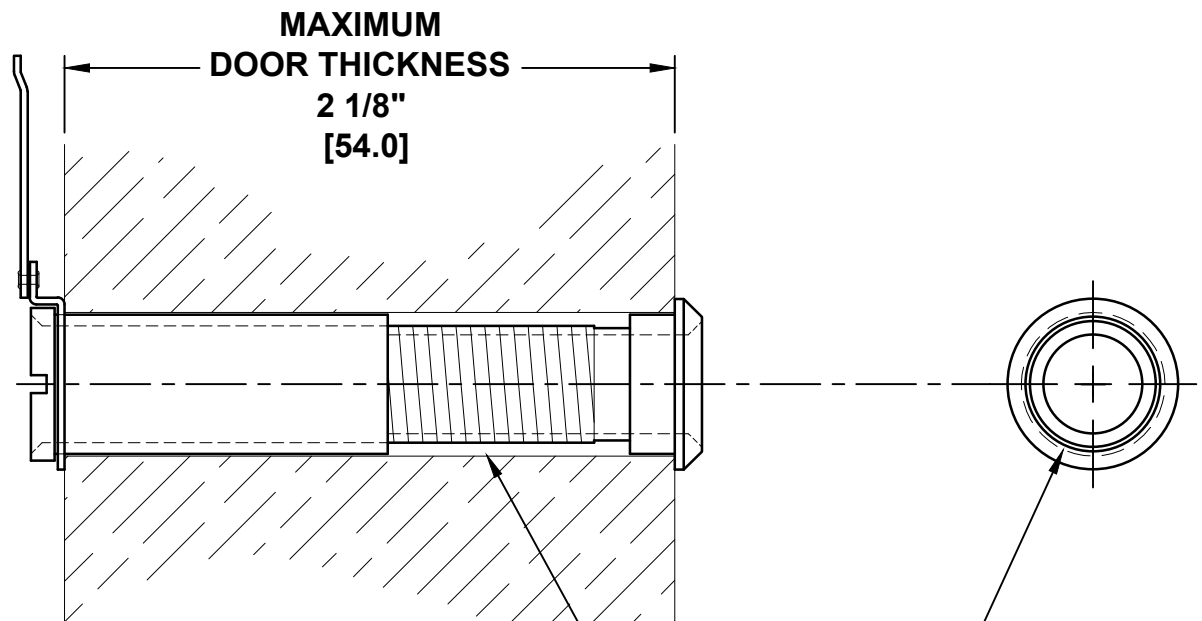
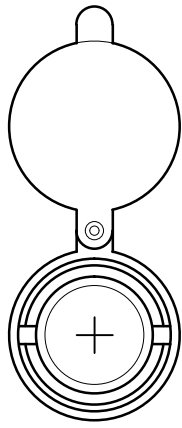
FOR METAL AND WOOD DOORS

UL LISTED 160° VIEWING ANGLE

TEMPLATE: 939317

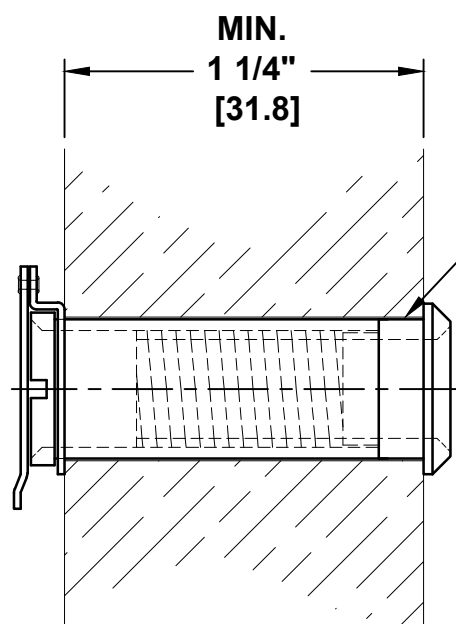
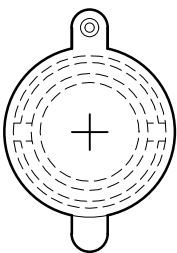
REV. 0 02-09-15

NOT TO SCALE

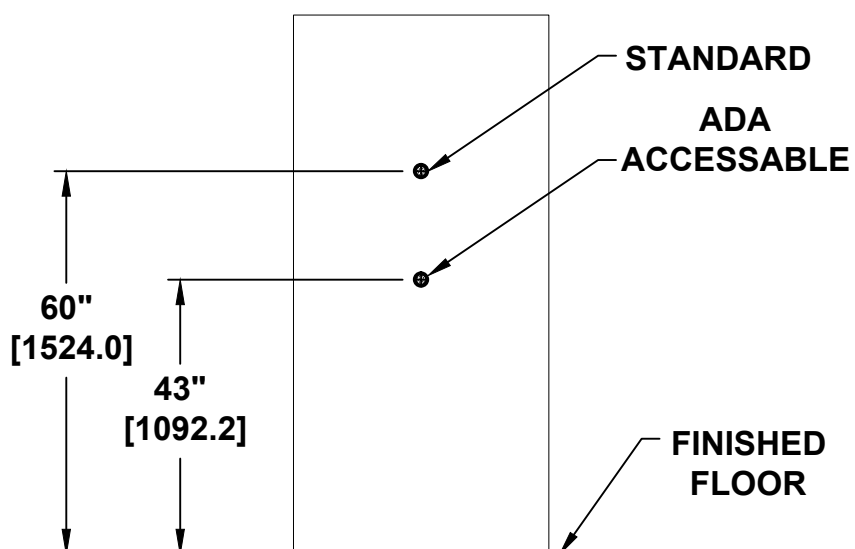
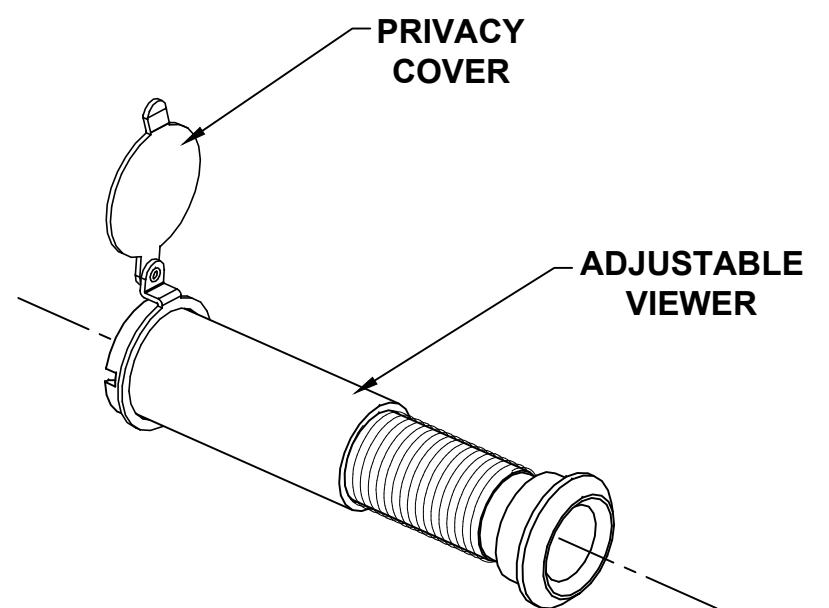


## ASSEMBLY:

1. USE SLOT ON INSIDE TO TIGHTEN DOOR VIEWER AND COVER.
2. TIGHTEN VIEWER WITH COVER ABOVE SO IT FALLS TO CLOSED POSITION ON INSIDE OF DOOR.



DOOR PREP:  
DRILL  
Ø1/2"  
[Ø12.7]  
THRU HOLE



## RECOMMENDED VIEWER LOCATIONS

## NOTES:

1. DIMENSIONS IN **INCHES**  
[MM].
2. ALWAYS CHECK PDQ WEBSITE FOR THE MOST RECENT TEMPLATE REVISION AT [WWW.PDQLOCKS.COM](http://WWW.PDQLOCKS.COM)



PDQ Manufacturing  
2754 Creek Hill Rd.  
Leola, PA 17540  
800-441-9692  
Fax: 717-656-6892  
[www.pdqlocks.com](http://www.pdqlocks.com)