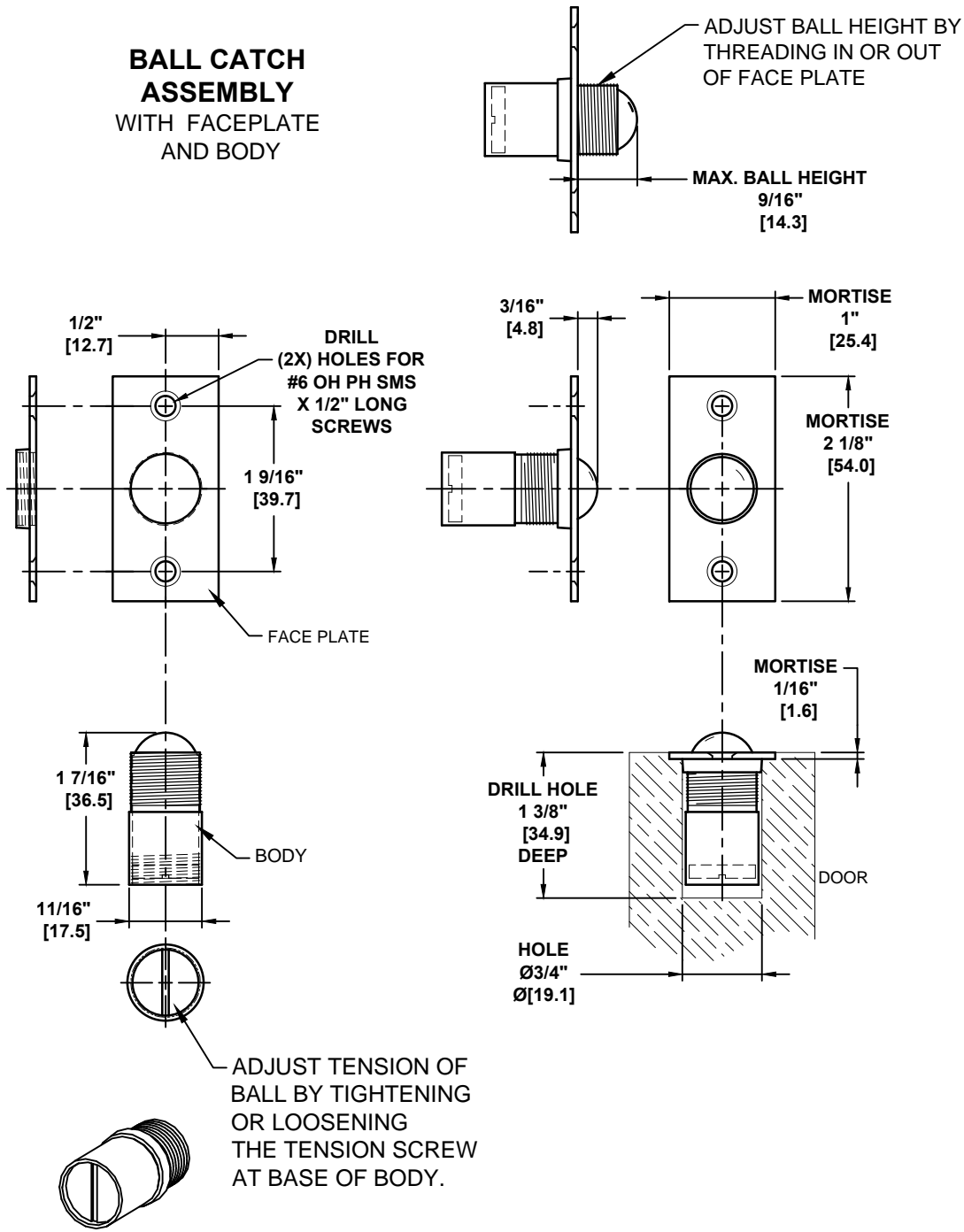


577 ROLLER LATCH FOR METAL AND WOOD DOORS

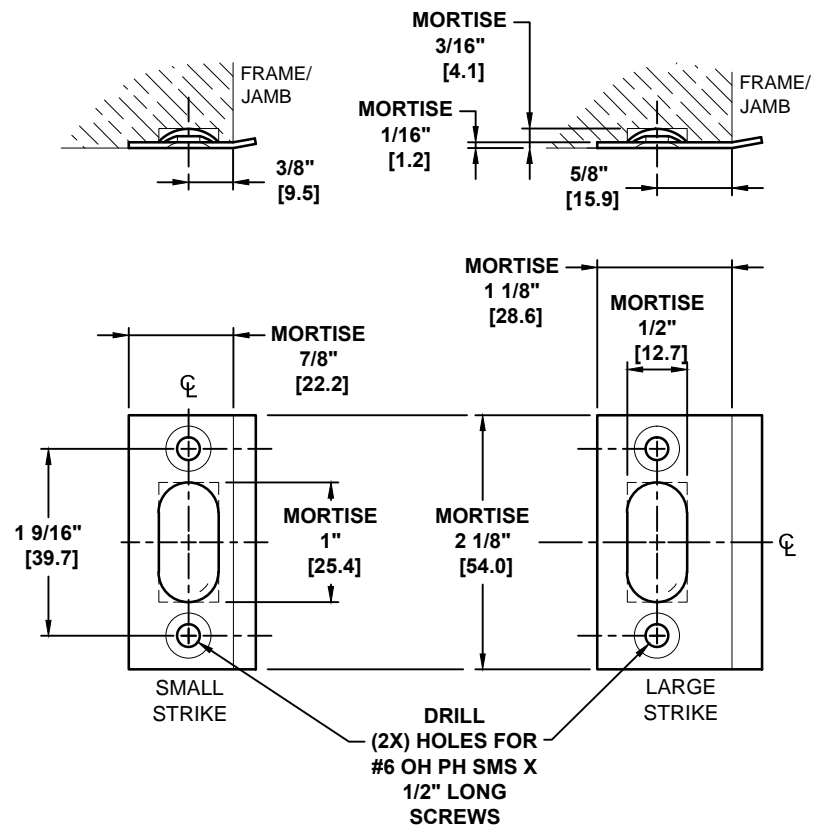
TEMPLATE: 939318
REV. 0 03-04-15

NOT TO SCALE

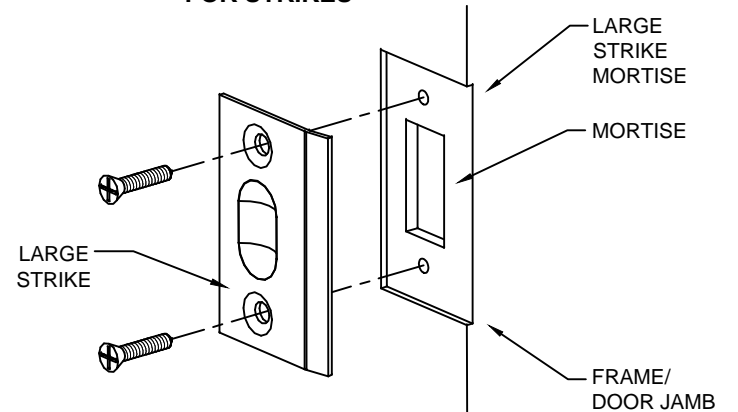
BALL CATCH ASSEMBLY WITH FACEPLATE AND BODY



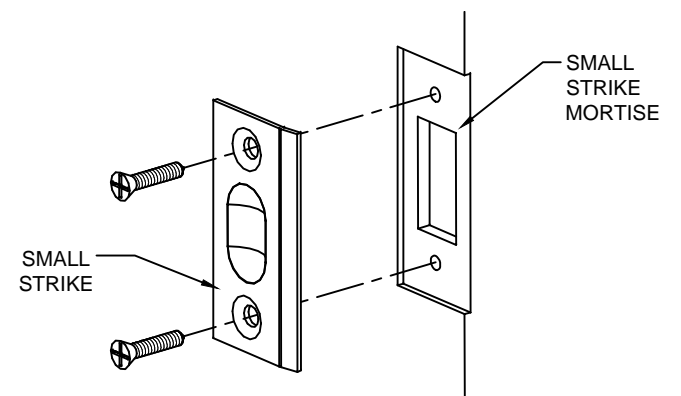
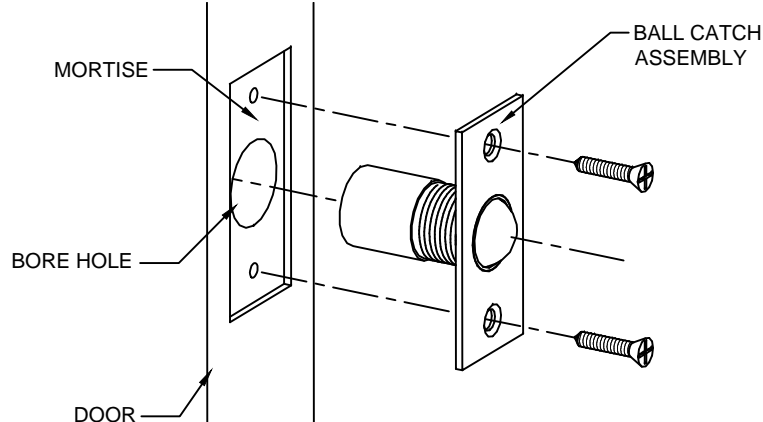
STRIKE TWO SIZES INCLUDED



FRAME/ DOOR JAMB PREP FOR STRIKES



DOOR PREP FOR BALL CATCH



BALL CATCH ASSEMBLY
WITH BALL HEIGHT ADJUSTED FOR
WIDE GAP BETWEEN FRAME/ JAMB
AND DOOR

NOTES:

1. DIMENSIONS IN **INCHES**
[MM]
2. ALWAYS CHECK PDQ WEBSITE FOR
THE MOST RECENT TEMPLATE REVISION
AT WWW.PDQLOCKS.COM



PDQ Manufacturing
2754 Creek Hill Rd.
Leola, PA 17540
800-441-9692
Fax: 717-656-6892
www.pdqlocks.com