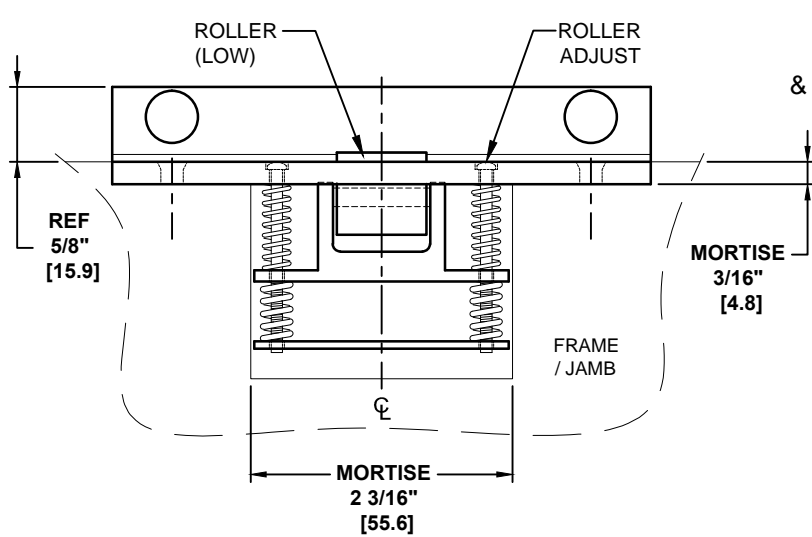
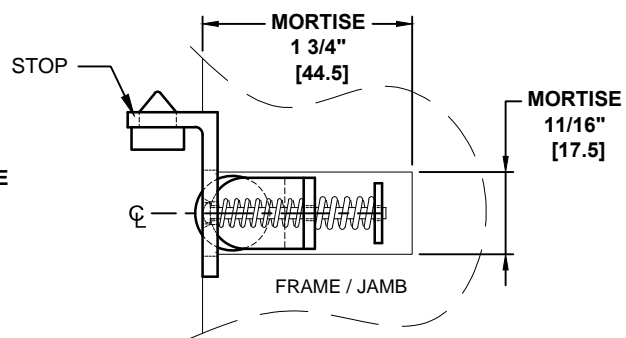
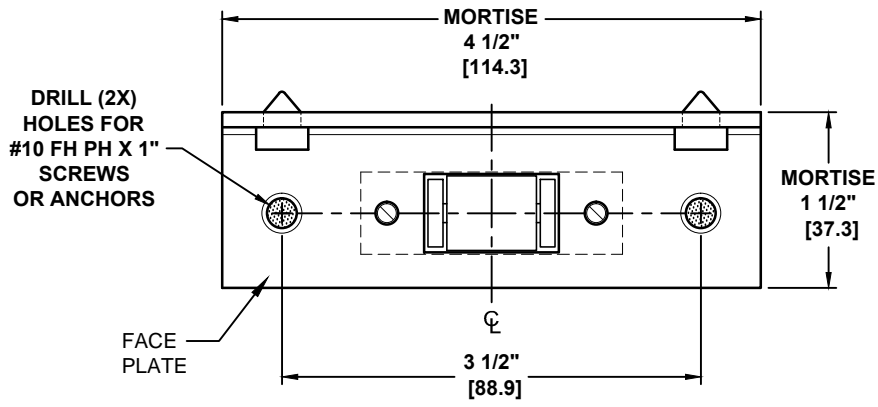


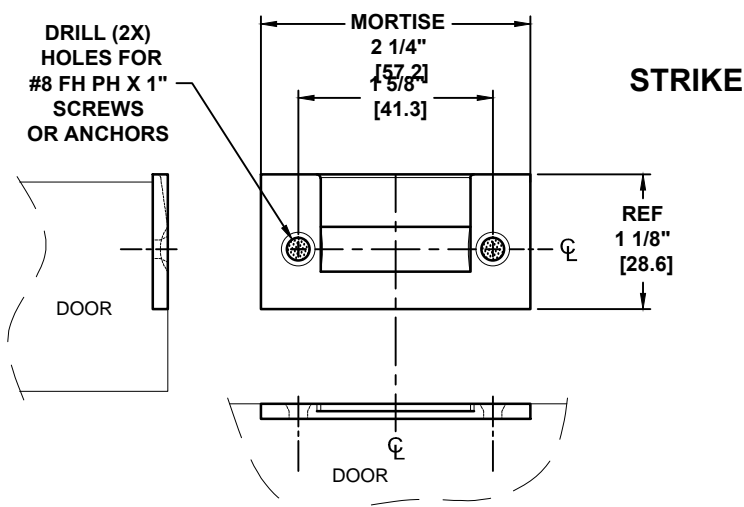
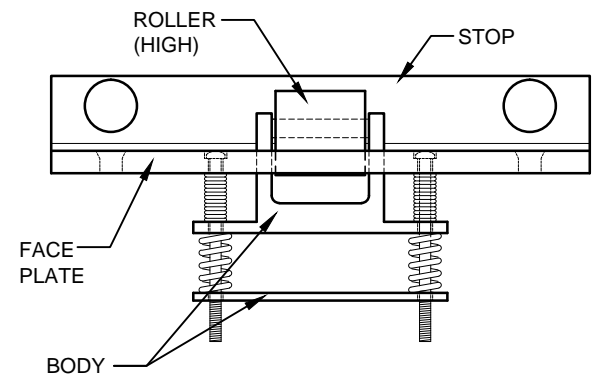
574 ROLLER LATCH WITH ANGLE STOP FOR METAL AND WOOD DOORS

TEMPLATE: 939321
REV. 0 04-29-15

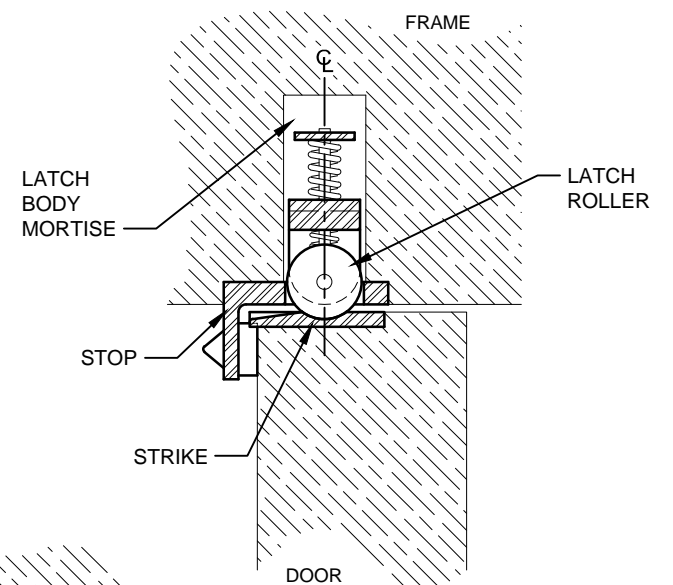
NOT TO SCALE



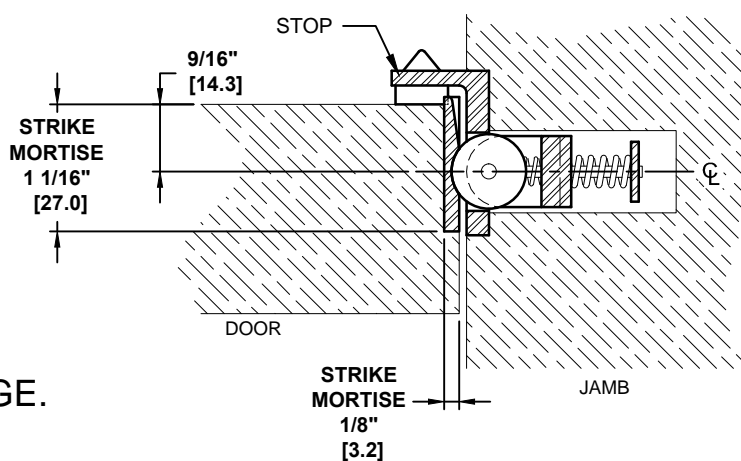
ROLLER LATCH WITH STOP & ADJUSTABLE HEIGHT



HEAD FRAME MOUNTING



SIDE JAMB MOUNTING



INSTRUCTIONS:

1. MORTISE FOR STRIKE & INSTALL STRIKE ON DOOR EDGE.
2. ALIGN LATCH ROLLER WITH STRIKE. MORTISE FOR BODY OF LATCH.
3. PUT LATCH INTO BODY MORTISE TO MARK FOR FACE PLATE MORTISE & CHECK ALIGNMENT WITH STRIKE. MORTISE FOR FACE PLATE & INSTALL LATCH.
4. ADJUST HEIGHT OF ROLLER TO FIT STRIKE.

NOTES:

1. DIMENSIONS IN **INCHES** [MM].
2. ALWAYS CHECK PDQ WEBSITE FOR THE MOST RECENT TEMPLATE REVISION AT WWW.PDQLOCKS.COM



PDQ Manufacturing
2754 Creek Hill Rd.
Leola, PA 17540
800-441-9692
Fax: 717-656-6892
www.pdqlocks.com