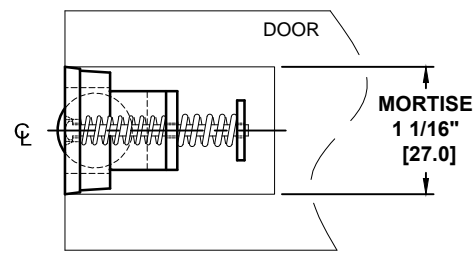
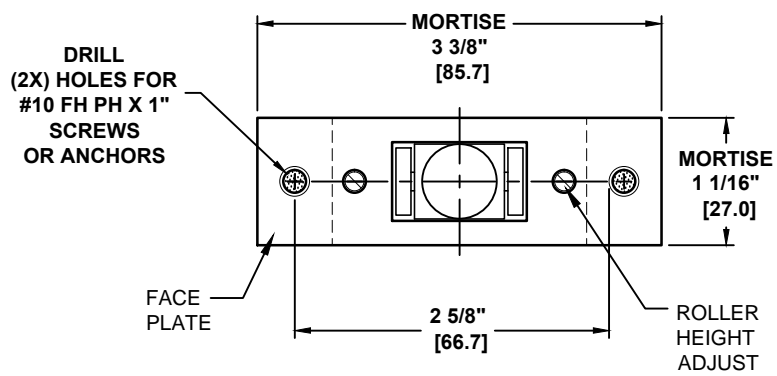


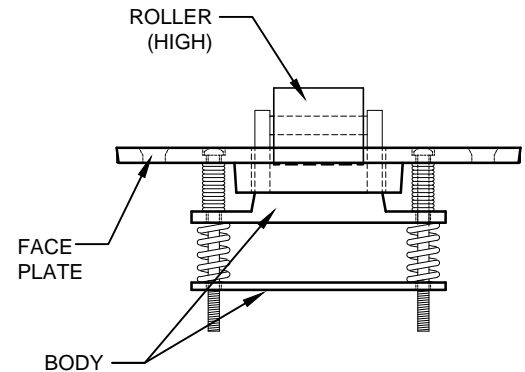
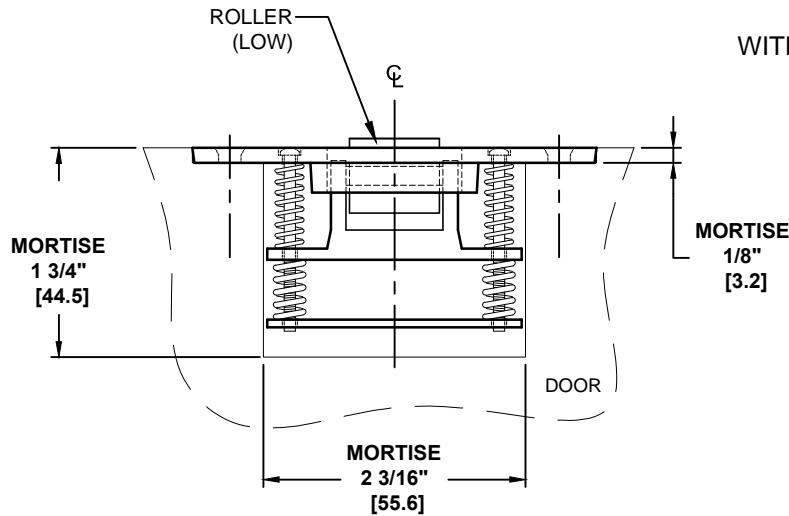
# 571 MORTISE ADJUSTABLE ROLLER LATCH FOR METAL AND WOOD DOORS

TEMPLATE: 939322  
REV. 0 04-30-15

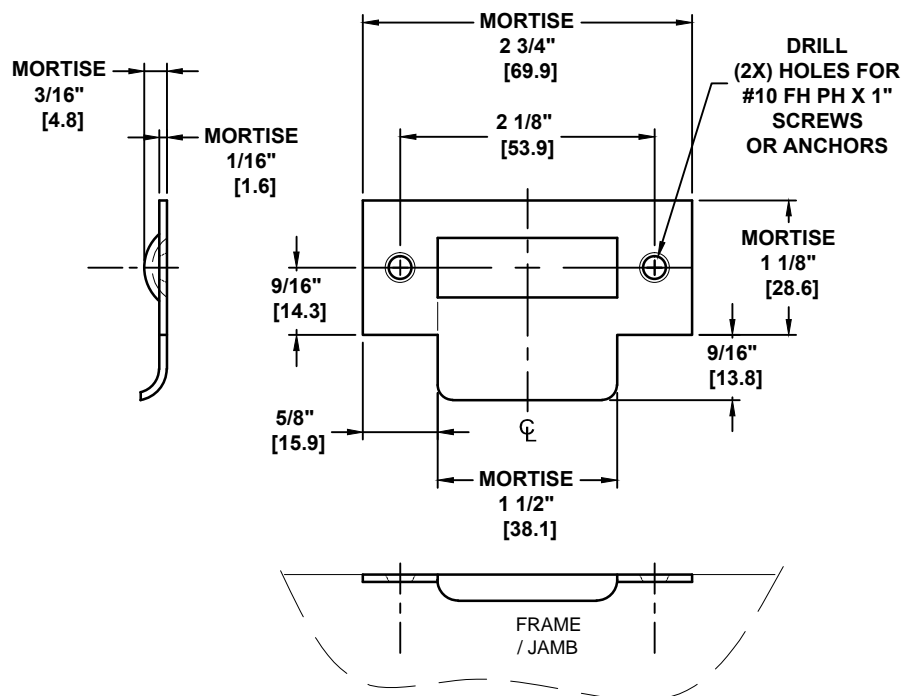
NOT TO SCALE



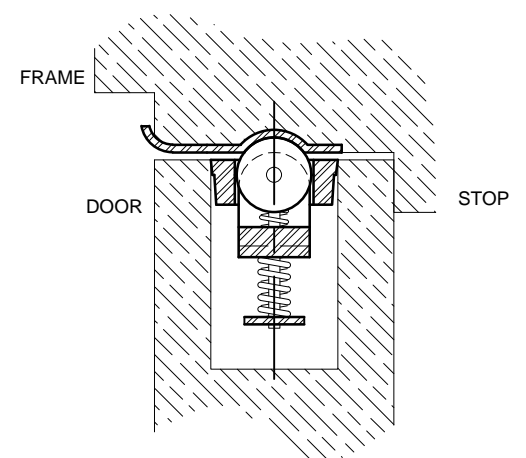
**ROLLER LATCH WITH ADJUSTABLE HEIGHT**



## STRIKE



## HEAD FRAME MOUNTING (LATCHED)



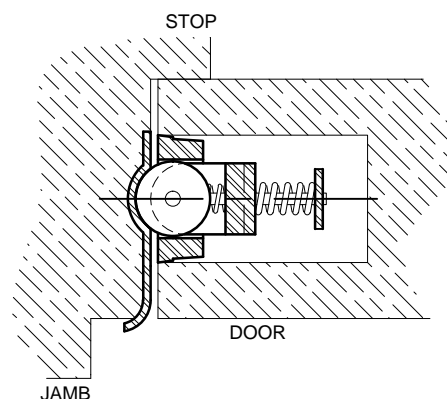
## INSTRUCTIONS:

1. MORTISE FOR BODY OF LATCH. PUT LATCH INTO BODY MORTISE TO MARK MORTISE FOR FACE PLATE .
2. MORTISE FOR FACE PLATE & INSTALL THE LATCH.
3. ALIGN STRIKE WITH LATCH ROLLER. MORTISE & INSTALL STRIKE.
4. ADJUST HEIGHT OF ROLLER TO FIT STRIKE.

## NOTES:

1. DIMENSIONS IN **INCHES** [MM] .
2. ALWAYS CHECK PDQ WEBSITE FOR THE MOST RECENT TEMPLATE REVISION AT [WWW.PDQLOCKS.COM](http://WWW.PDQLOCKS.COM)

## SIDE JAMB MOUNTING (LATCHED)



PDQ Manufacturing  
2754 Creek Hill Rd.  
Leola, PA 17540  
800-441-9692  
Fax: 717-656-6892  
[www.pdqlocks.com](http://www.pdqlocks.com)