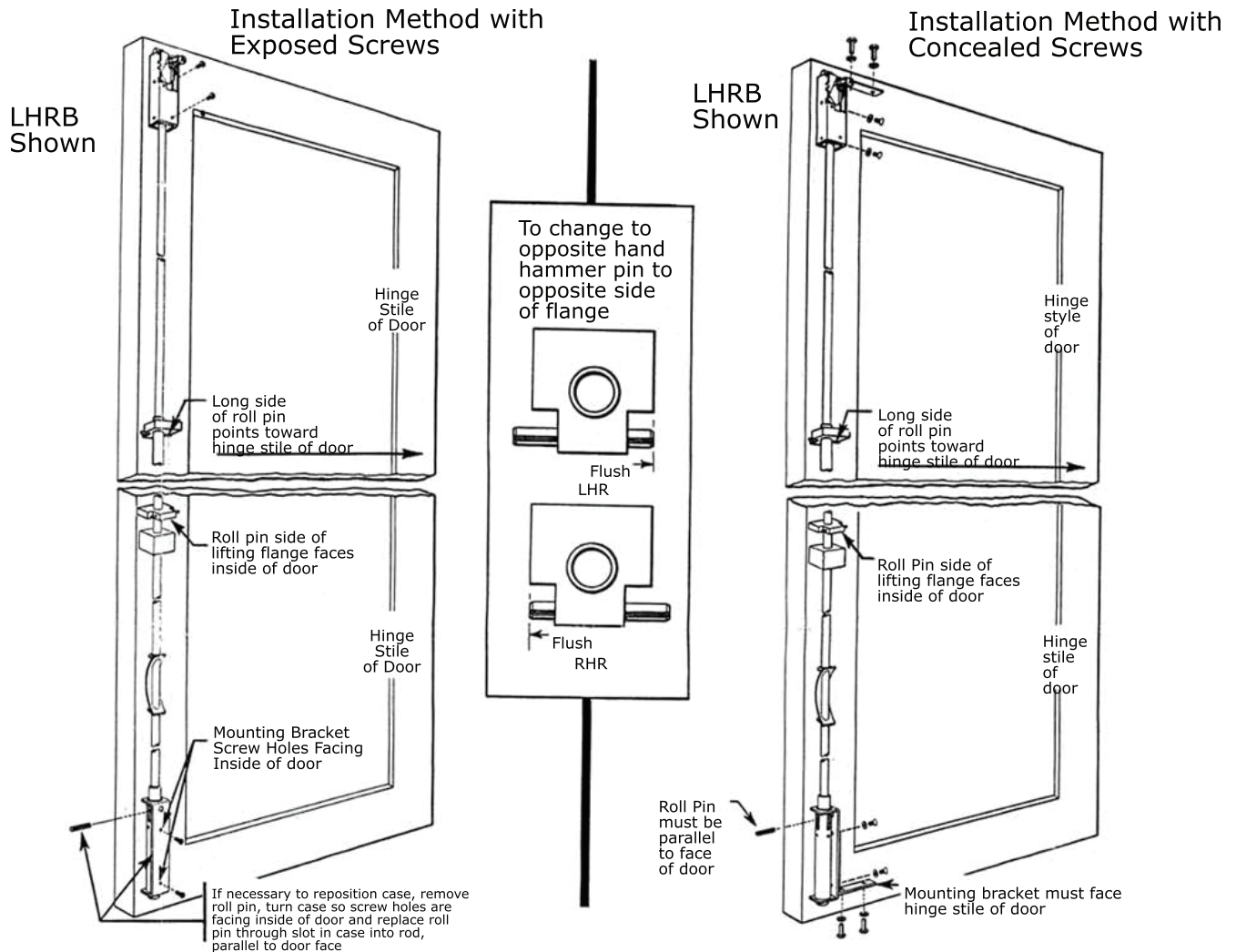


9400 & 12-9400 Series

Narrow Style Cross Bar Concealed Vertical Rod Exit Devices



⚠ WARNING

This product can expose you to lead which is known to the state of California to cause cancer and birth defects or other reproductive harm. For more information go to www.P65warnings.ca.gov.

⚠ WARNING

Attention Installer: Improper installation may result in damage to the product and void the factory warranty.

9400 & 12-9400 Series

Narrow Style Cross Bar CVR Exit Devised



Installation Instructions

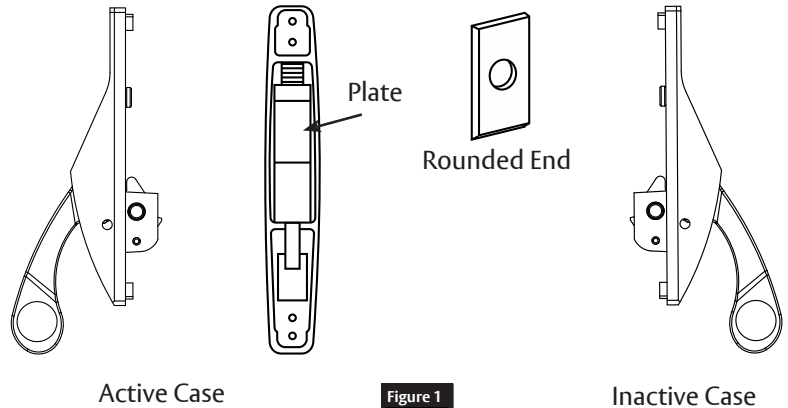
1 Before installing, verify hand of door & read instructions.

2 Change hand of device.

a Remove case cover.

b Switch case covers and reassemble.

1. Place cover from present active case onto inactive case, engaging lift finger with bottom of slide.
2. Place cover from inactive case on active case, engaging lifting finger with bottom slide. Be sure that nylon button on back of the cover fits into the hole in the plate.



Note: Be sure that plate with hole in it is positioned in the active case as shown with the rounded end down.

3 Prepare door and frame.

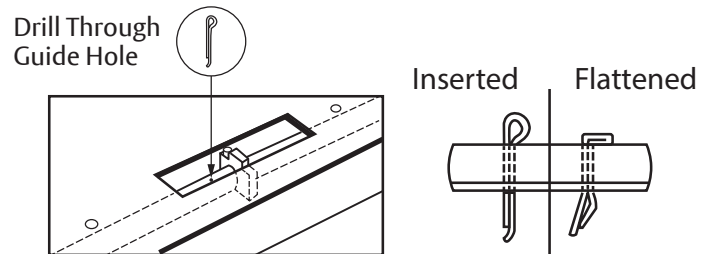
4 Insert rods and secure top latches and bottom bolt.

a Concealed Mounting

1. Attach mounting brackets to cases of top latch and bottom bolt.
2. Slide bottom tube into bottom of stile. Secure with screws.
3. Retract top latch by holding case and pushing up on rod. Insert top latch rod into top of stile and into bottom tube. Secure with screws.

5 Pin top rod and bottom tube.

Using access hole, raise lifting flange for active case so that bottom bolt is fully retracted. Do not press bottom bolt from bottom of the door. Confirm that the top latch is retracted. Drill 1/8" diameter hole through rod and tube, using predrilled hole in bottom tube as a guide. Insert hammer lock cotter pin through hole and secure with punch and hammer. Flatten pin head completely. Hang door.



9400 & 12-9400 Series

Narrow Style Cross Bar CVR Exit Devised

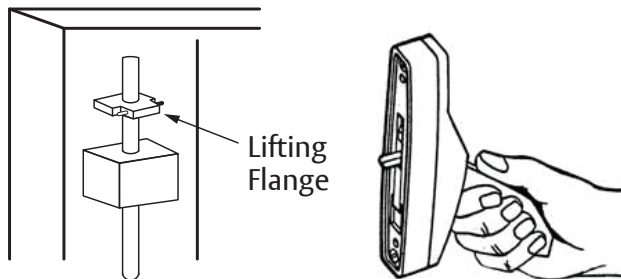
SARGENT

ASSA ABLOY

Installation Instructions

6 Install active case.

Undog cases using supplied key. Back out screw and remove tenon from active case lever. Mount active case engaging hook under lifting flange. Secure with screws supplied.

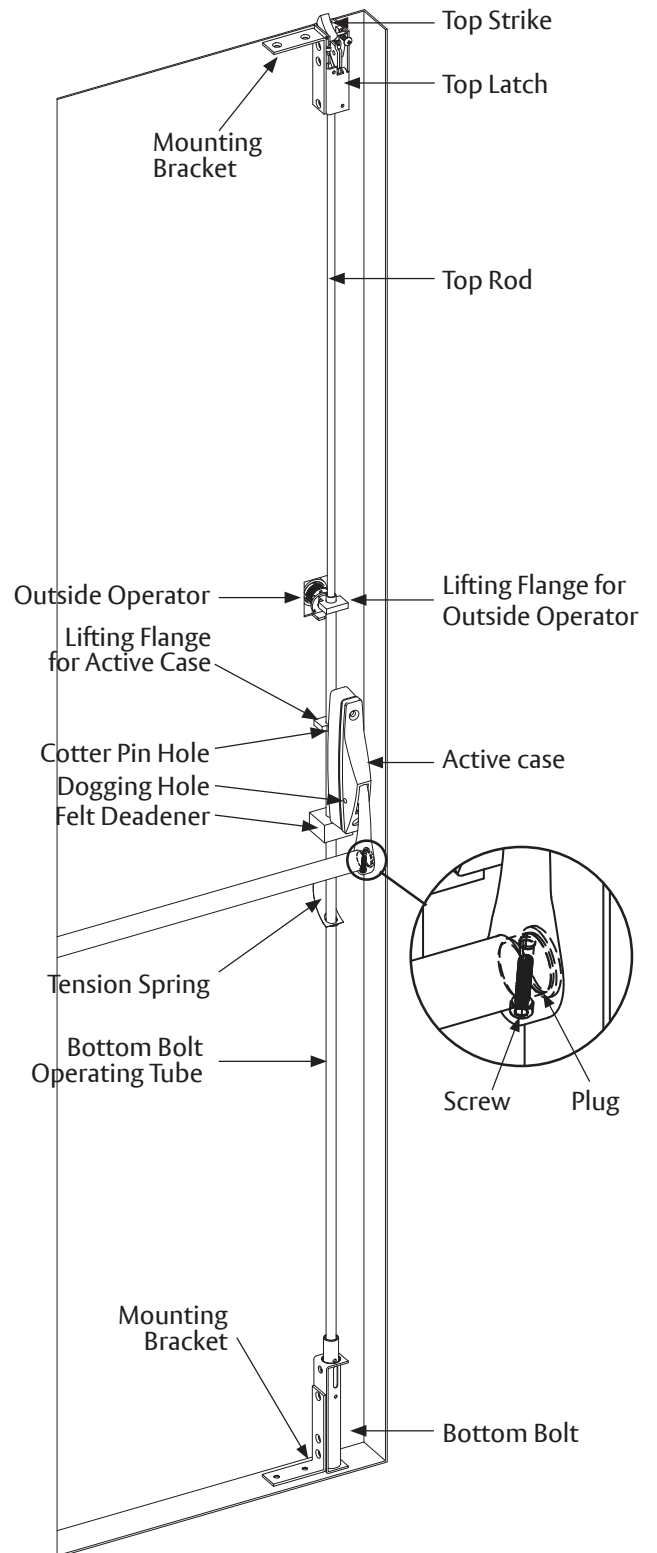


7 Test operation.

Push down on active case lever to be sure top and bottom bolt retract completely and remain retracted when lever is released. If bottom bolt does not retract flush with the bottom of the door, check Step 5 procedure.

8 Install inactive case.

Place case in position. Level with the active case. Drill and tap for 1/4-20 screws and then mount.



9400 & 12-9400 Series

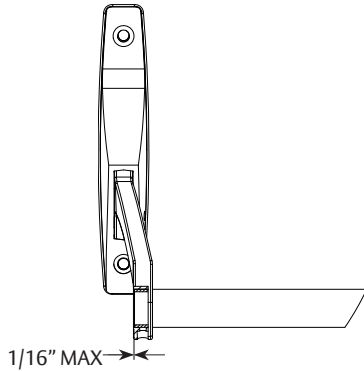
Narrow Style Cross Bar CVR Exit Devised



Installation Instructions

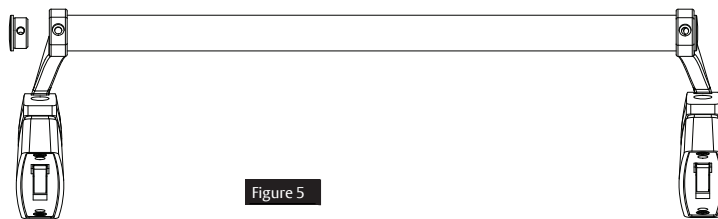
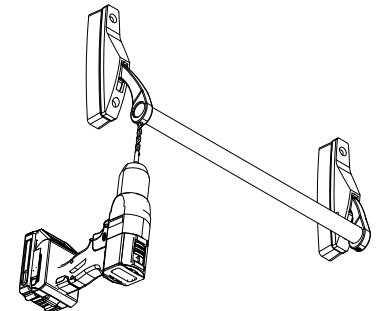
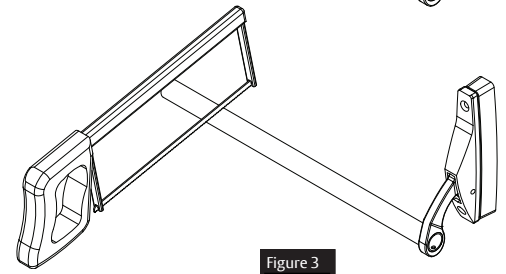
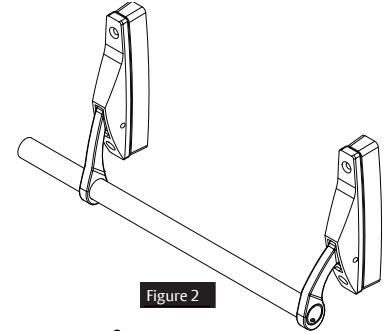
9 Install crossbar

1. Slide bar through active and inactive case with screw hole towards active case. Screw plug and bar onto active case with 10-24 x 3/4" cap screw. (Figure 2)
2. Mark bar at inactive case and cut. Length of cross bar should be from flush to 1/16" less than flush. (Figure 3)



3. Drill 3/16" hole thru one side of bar using hole in arm to locate. (Figure 4)

4. Slide plug into bar with holes aligned and attach with 10-24 x 3/4" cap screw. (Figure 5)



Alternately push down on one lever while pushing up on other.

Note: If after completion of installation, crossbar does not work freely, check installation of binding of levers due to improper bar length or case misalignment.

9400 & 12-9400 Series

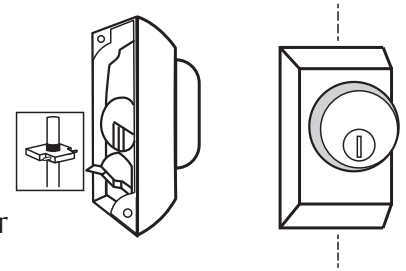
Narrow Style Cross Bar CVR Exit Devised



Installation Instructions

10 Install outside trim

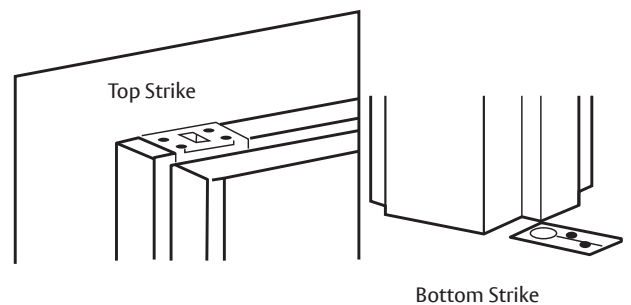
- a** Prepare door for trim using template supplied, determine and mark backset on outside of door.
- b** Press in top latch plunger screw to project top latch and bottom bolt. Place trim in locked position.
- c** Center trim on center line of backset, so top side of the lifting lever contacts underside of the auxiliary lifting flange.
- d** Mark door through hole at the top of the trim.
- e** Drill starting hole with a #18 drill for self tapping screws.
- f** Mount trim with screws supplied.
- g** Unlock trim to retract latch and bolt.
- h** Spot and drill hole with the same #18 drill for self tapping screw.



Note: If door offers too much resistance to the self tapping screws, use an 11/64" diameter drill.

11 Strike installation

Install top strike to header with screws supplied. Mortise bottom strike into floor, in line with the center line of the bottom bolt. If metal threshold is used, drill 7/8" diameter inline with bottom bolt.



9400 & 12-9400 Series

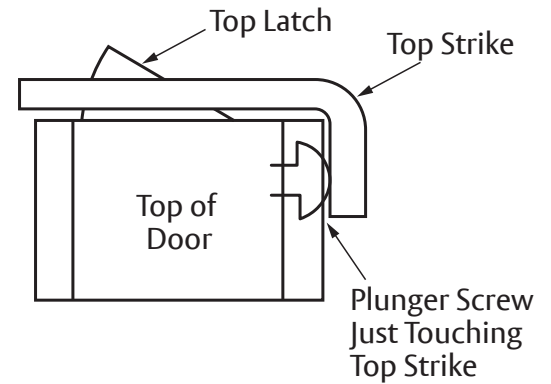
Narrow Style Cross Bar CVR Exit Devised

Installation Instructions

SARGENT
ASSA ABLOY

12 Adjusting plunger screw

As the door closes against the top strike, the plunger screw should be adjusted such that upon contact with the top strike, both the top and bottom latch points engage the frame.



13 Test operation

a From the outside

The key will retract the top latch and bottom bolt. Once retracted, the latch and bolt must remain in the retracted position until the door closes and the plunger screw comes in contact with the top strike, releasing both the latch and bolt.

b From the inside

The door is opened by pressing the cross bar, retracting the top latch and bottom bolt simultaneously. Once retracted the latch and bolt must remain in the retracted position until the door closes and the plunger screw comes in contact with top strike, releasing both latch points.

When the cross bar is in the dogged position and locked, both latch points should be fully retracted.

9400 & 12-9400 Series

Narrow Style Cross Bar CVR Exit Devised

Installation Instructions

SARGENT[®]
ASSA ABLOY

