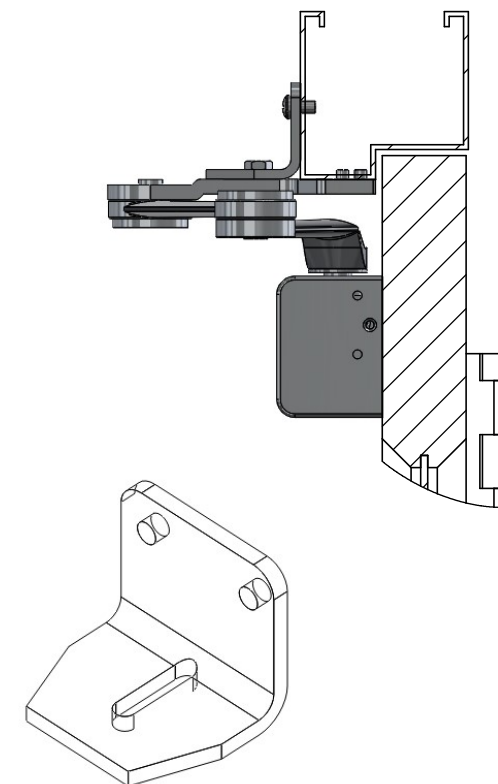
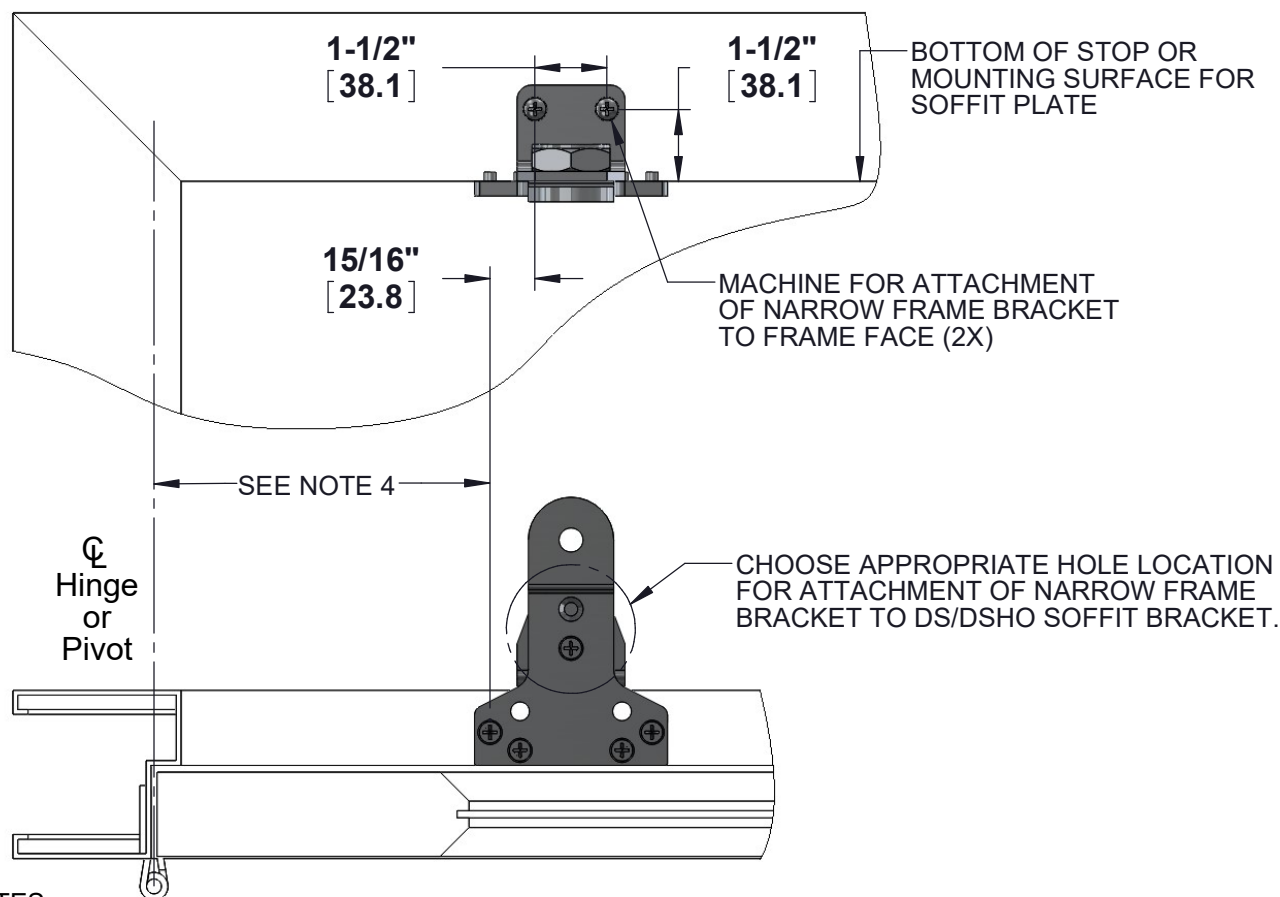


ALL DOOR CLOSER MODELS

PARALLEL ARM INSTALLATION - PUSH SIDE

DS AND DSHO APPLICATIONS WITH OPTIONAL NARROW FRAME BRACKET (NFB)

TEMPLATE: 999303,
REV. 1 12-20-18



NOTES:

1. DRAWING IS NOT TO SCALE.
2. DIMENSIONS IN **INCHES** [MM].
3. LEFT HAND DOOR SHOWN. FOR RIGHT HAND DOOR REVERSE IMAGE.
4. SEE APPLICABLE PRODUCT TEMPLATE FOR CORRECT CLOSER AND SOFFIT PLATE LOCATIONS.
5. DIMENSIONS BASED ON 4-1/2" X 4-1/2" BUTT HINGES.
6. DOOR SWING MAY BE ALTERED DUE TO OTHER LIMITING CONDITIONS.
7. CAUTION: SEX NUTS MAY BE REQUIRED FOR UNREINFORCED DOORS OR COMPOSITE FIRE DOORS. CONSULT MANUFACTURER'S RECOMMENDATIONS.
8. HOLD OPEN ARMS CAN NOT BE USED ON LABELED FIRE DOORS.
9. ALWAYS CHECK PDQ WEBSITE FOR THE MOST RECENT REVISION AT WWW.PDQLOCKS.COM.

MACHINE SCREWS: USE #7 OR 13/64" [5.1] DRILL AND 1/4-20 TAP
WOOD DOOR/FRAME SCREWS: USE 5/32" [4] DRILL
SEX NUTS: USE 3/8" [9.5] DRILL (FOOT TO DOOR)



PDQ Manufacturing
2230 Embassy Dr.
Lancaster, PA 17603
833-273-7832
833-2 PDQTECH
www.pdqlocks.com