

A500 FULL CONCEALED HINGE INSTALLATION INSTRUCTIONS

All holes in the door and frame must be drilled correctly. The fasteners must be properly installed. Failure to use the fasteners supplied by ABH will void the UL fire rating.

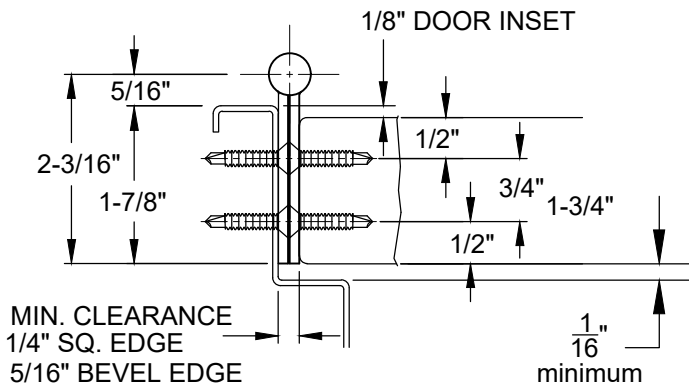


FIG. 1

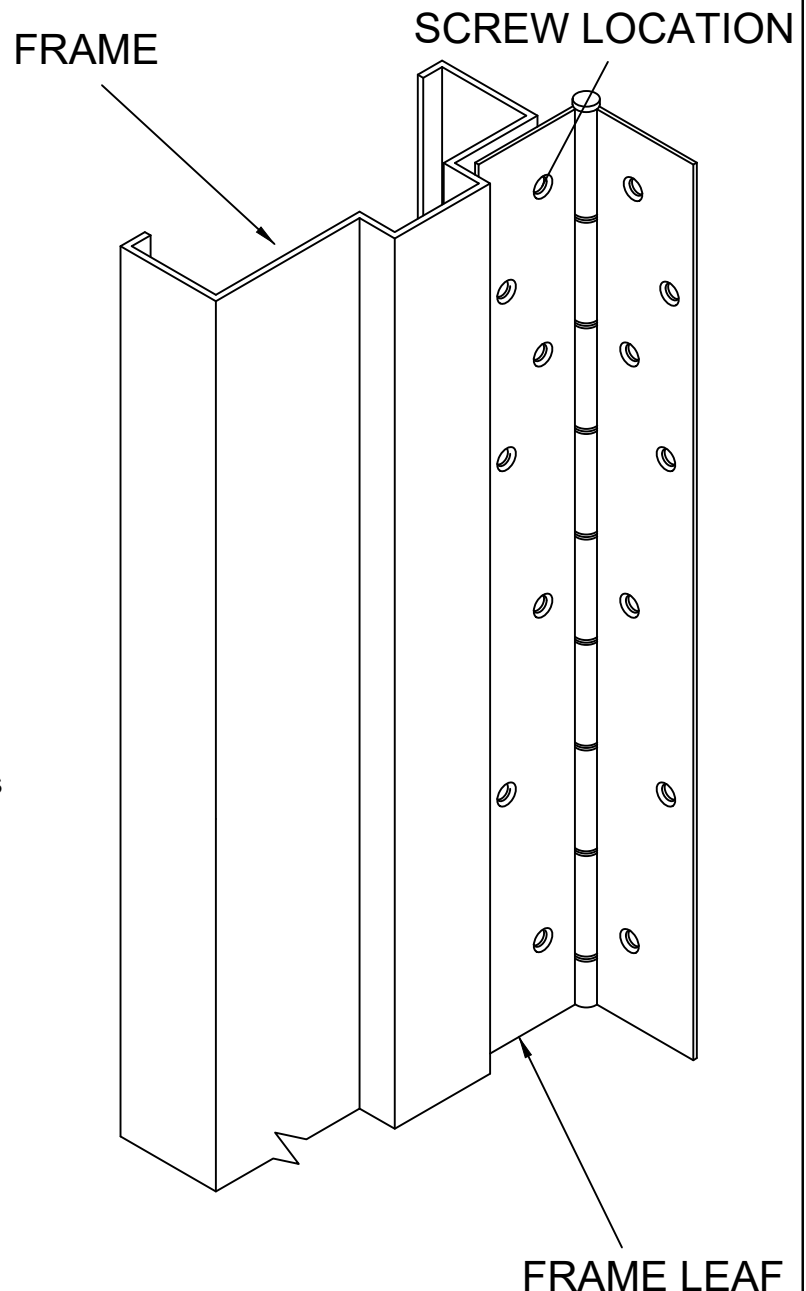
FRAME PREPARATION:

1. Place hinge on the frame as shown in Fig. 2 allowing 1/8" between top of hinge and underside of header. Allow $\frac{1}{16}$ " minimum clearance between hinge and stop (see Fig. 1).
2. Mark and center punch all the screw locations on the frame with the hinge held firmly in place (FIG. 2).
3. Remove hinge and prepare to drill frame.
4. Drill all the holes:
 - Hollow Metal Frame:** Use a #25 bit. If Frame is reinforced Tap the holes for a 10-24 thread.
 - Wood Frame:** Use a 1/8" drill bit.

DO NOT INSTALL HINGE TO FRAME AT THIS TIME

SEE OPPOSITE SIDE FOR DOOR SIDE INSTALLATION

FIG. 2



A500 FULL CONCEALED HINGE INSTALLATION INSTRUCTIONS

DOOR PREPARATION:

1. Place the hinge on the edge of the door. Carefully line up the top of the hinge with the top and back edges of the door.
2. Mark and center punch all the screw locations on the door with the hinge held firmly in place (FIG. 3).

3. Drill all the holes:

Hollow Metal Door: Use a #25 bit. If door is reinforced Tap the holes for a 10-24 thread.

Wood Door: use a 1/8" drill bit.

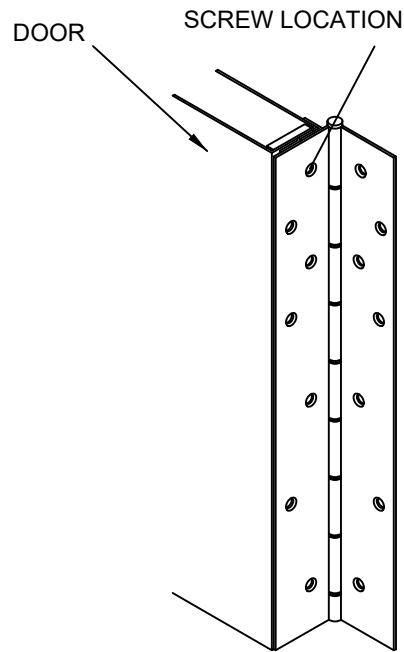


FIG. 3

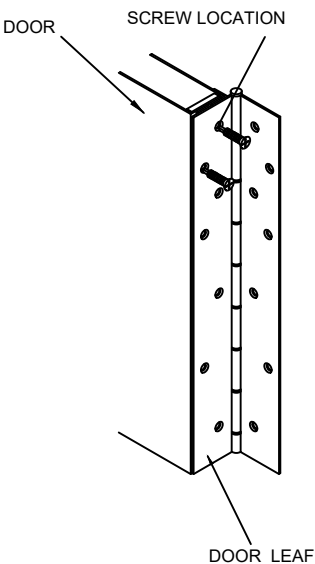


FIG. 4

HINGE INSTALLATION:

1. Attach Hinge to Door (FIG. 4):

Wood Door: use # 10 x 1-1/4" Flat Head, Undercut, Sheet Metal Screw

Metal Door: Use 10-24 x 7/8" Phillips Flat Head, Undercut, Self-Drilling Tek Machine Screw

2. Attach Hinge to Frame (FIG. 5):

Wood Frame: use # 10 x 1-1/4" Flat Head, Undercut, Sheet Metal Screw

Metal Frame: Use 10-24 x 7/8" Phillips Flat Head, Undercut, Self-Drilling Tek Machine Screw

Hospital tips on hinges should be mounted at the top of the door.

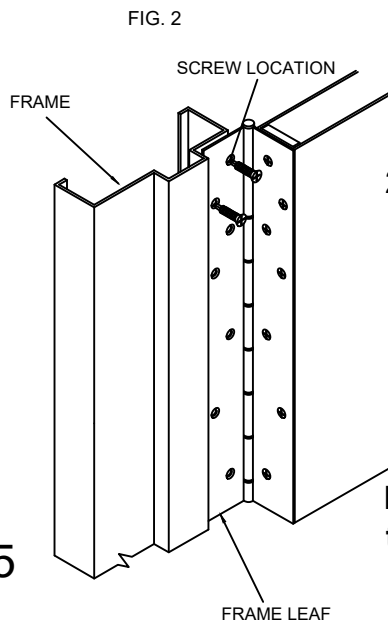


FIG. 5