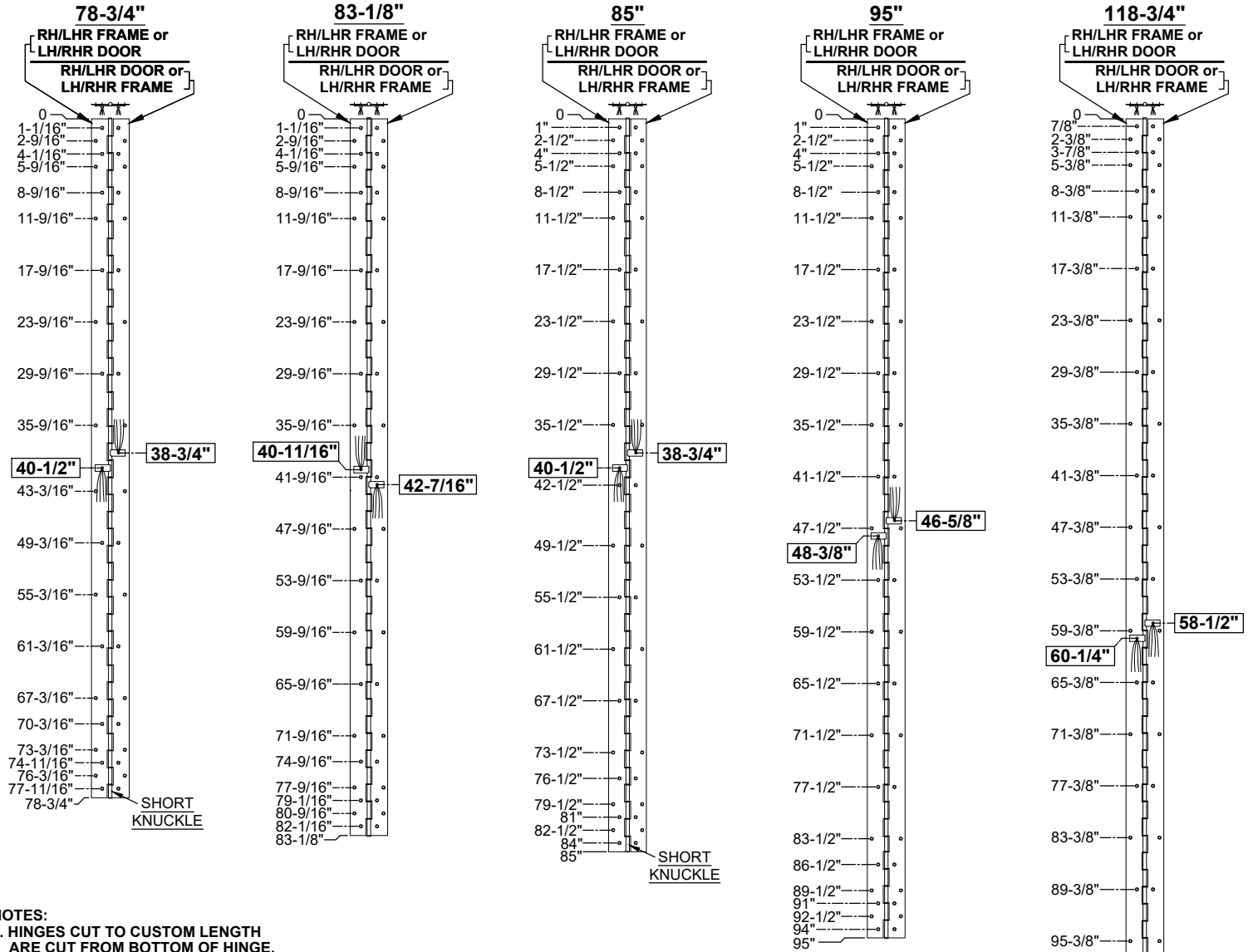
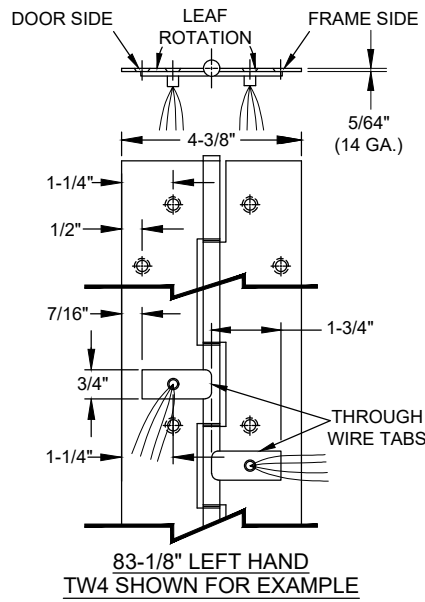


**A500 - "TW" or "EZ" OPTION, CONCEALED ELECTRIFICATION, FULL CONCEALED,
EDGE MOUNT, STAINLESS STEEL HINGE**



- NOTES:**
- HINGES CUT TO CUSTOM LENGTH ARE CUT FROM BOTTOM OF HINGE.
 - SPECIFY HANDING WHEN ORDERING.
 - SPECIFY WIRE CONFIGURATION WHEN ORDERING, TEMPLATE REMAINS THE SAME.
 - CT4
 - CT8
 - CT12
 - CT4 x EZ *
 - CT8 x EZ *
 - CT12 x EZ *
 - IF "M" OPTION (MOVEABLE PANEL) IS CHOSEN, TEMPLATE REMAINS THE SAME.
 - 30 AWG WIRES, APPROX. 4" LONG PER SIDE, RATED 2 AMP CONTINUOUS LOW VOLTAGE.
 - THRU WIRE LOCATION DIMENSIONS +/- 1/16".



STANDARD HINGE SIZES & SCREW DETAIL					
NOMINAL DOOR HEIGHT	6'8"	7'0"	7'2"	8'0"	10'0"
ACTUAL HINGE HEIGHT	78-3/4"	83-1/8"	85"	95"	118-3/4"
10-24 x 7/8" PHILLIPS FLAT HEAD, UNDERCUT, SELF-DRILLING MACHINE SCREW	40	42	42	46	54
#10 x 1-1/4" PHILLIPS FLAT HEAD, UNDERCUT, SHEET METAL SCREW	40	42	42	46	54

THIS DRAWING IS NOT TO SCALE
A500-TW or EZ OPTION, CONCEALED ELECTRIFICATION-1-02.DWG

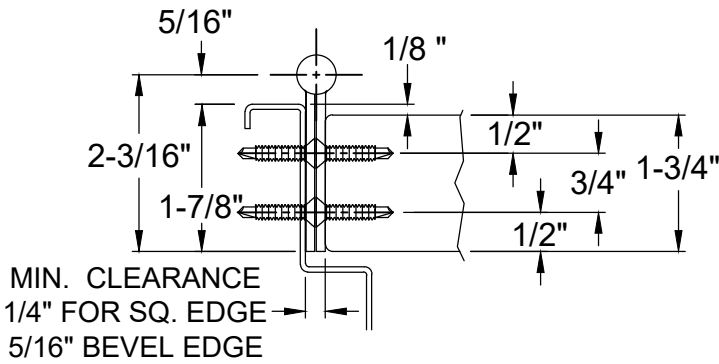


www.abhmf.com
E-mail: abhinfo@abhmf.com
Architectural Builders Hardware Mfg., Inc.
1222 Ardmore Ave., Itasca, IL 60143
630.875.9900; FAX 800.9FAXABH (932.9224)

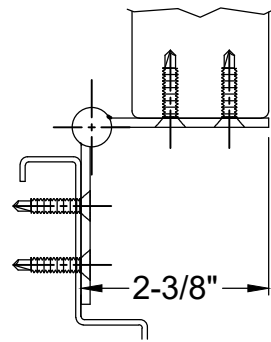
**A500 - "TW" or "EZ" OPTION
CONCEALED ELECTRIFICATION**

© 2020 ABH Mfg., Inc.
printed in USA

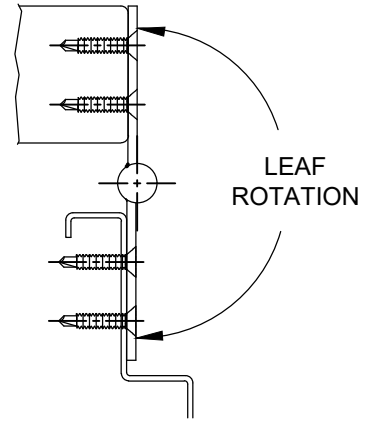
A500 - "TW" or "EZ" OPTION, CONCEALED ELECTRIFICATION, FULL CONCEALED, EDGE MOUNT, STAINLESS STEEL HINGE



CLOSED POSITION
(WIRES NOT SHOWN)

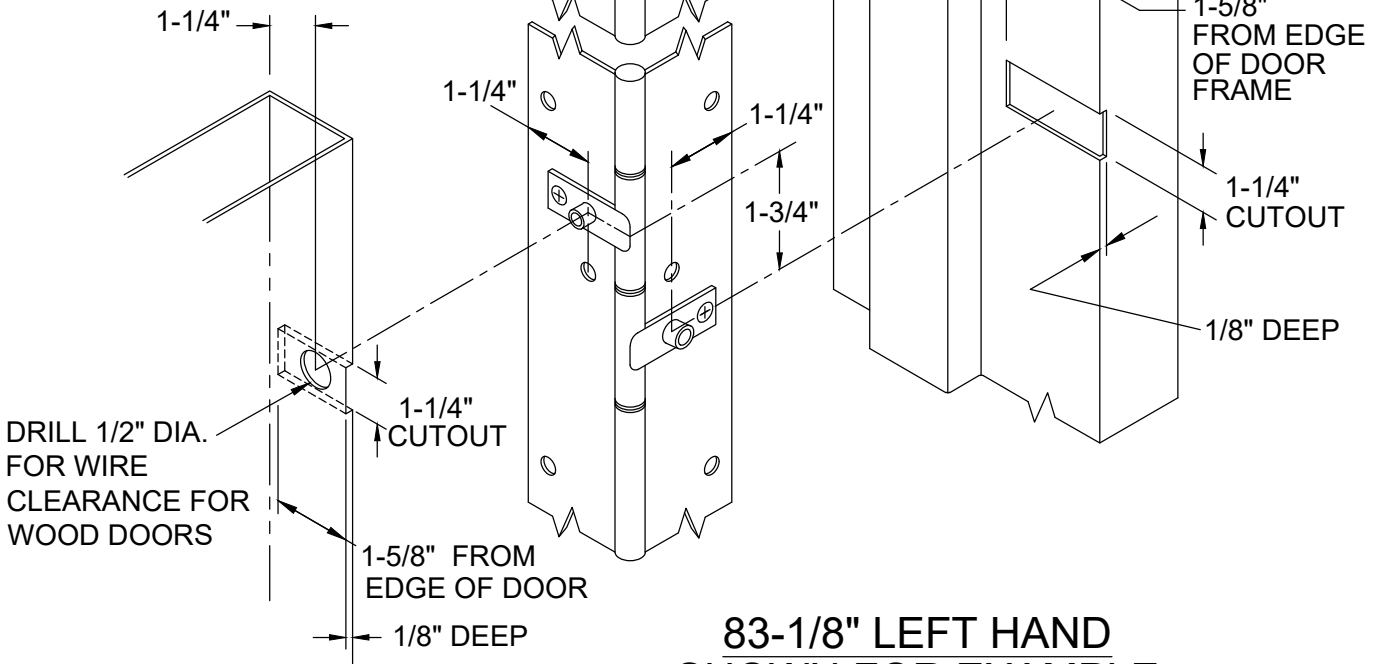
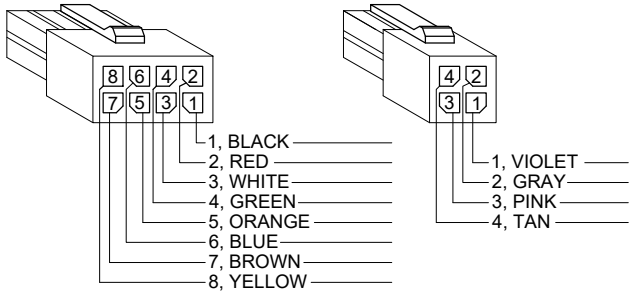


90° OPEN POSITION
(WIRES NOT SHOWN)



180° OPEN POSITION
(WIRES NOT SHOWN)

EZ CONNECT OPTION



**83-1/8" LEFT HAND
SHOWN FOR EXAMPLE**

A500-TW or EZ OPTION, CONCEALED ELECTRIFICATION-2-02.DWG



www.abhmf.com
E-mail: abhinfo@abhmf.com
Architectural Builders Hardware Mfg., Inc.
1222 Ardmore Ave., Itasca, IL 60143
630.875.9900; FAX 800.9FAXABH (932.9224)

**A500 - "TW" or "EZ" OPTION
CONCEALED ELECTRIFICATION**

© 2020 ABH Mfg., Inc.
printed in USA

PAGE 2 OF 2
ISSUED 03-24-20