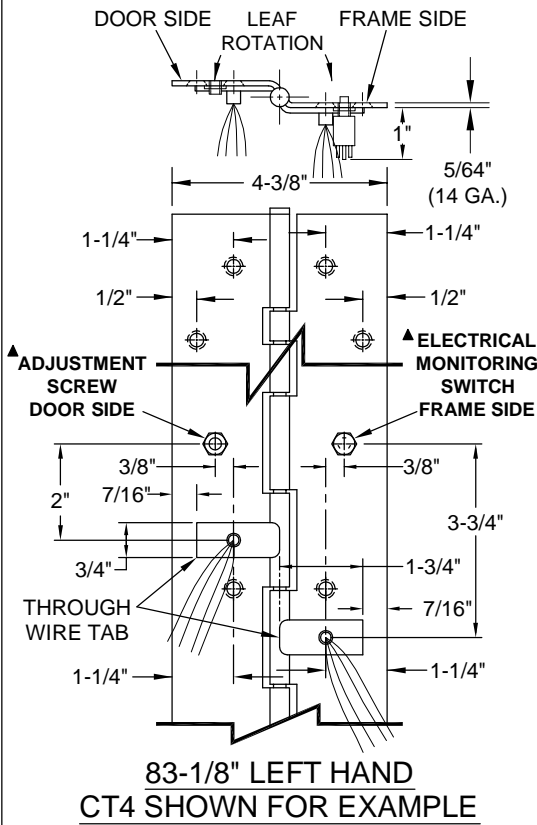
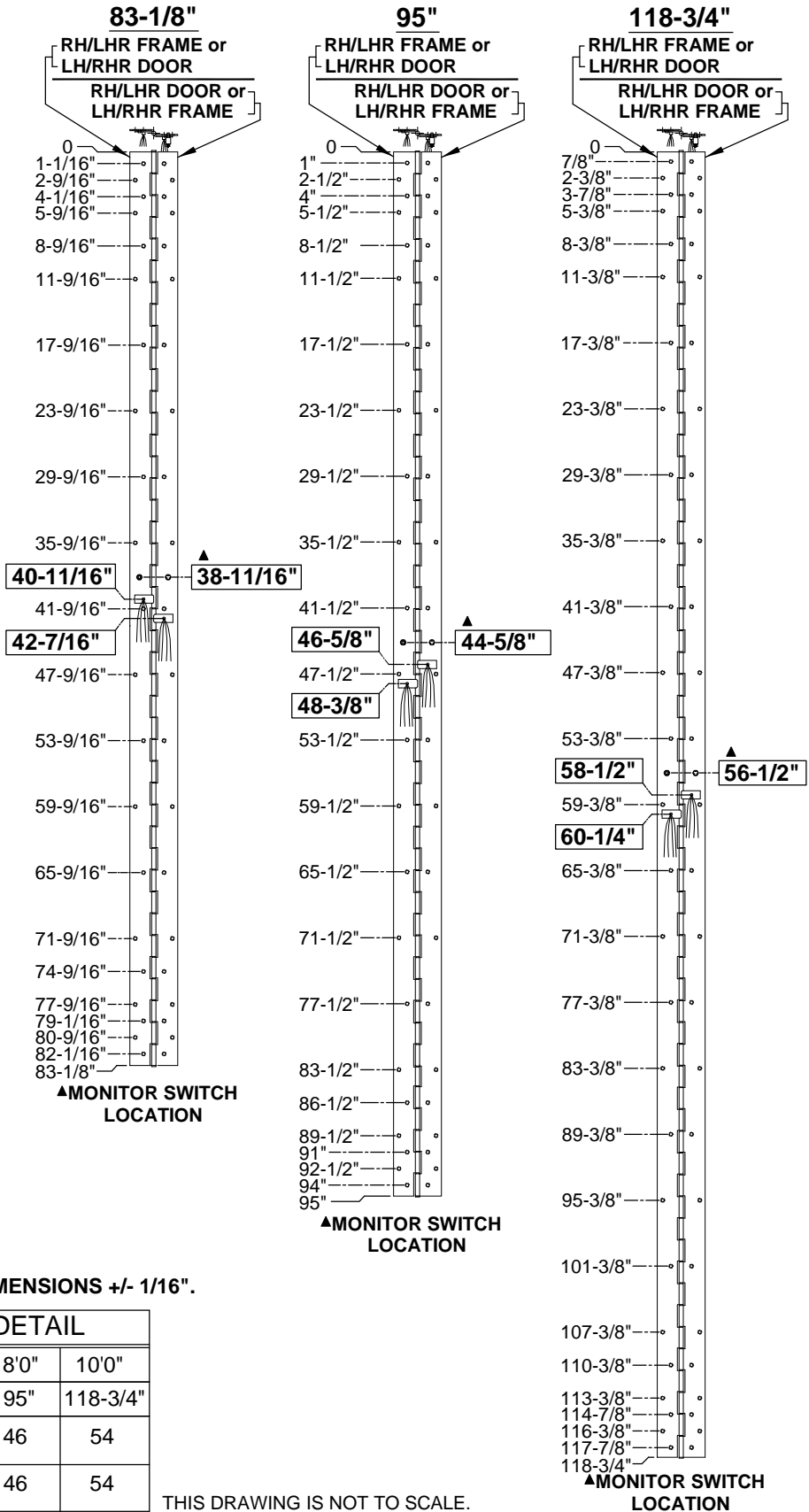


# A500RB - "CT" OPTION, RAISED BARREL, THRU WIRE & MONITOR SWITCH, FULL CONCEALED, EDGE MOUNT, STAINLESS STEEL HINGE



- NOTES:**
1. HINGES CUT TO CUSTOM LENGTH ARE CUT FROM BOTTOM OF HINGE.
  2. SPECIFY HANDING WHEN ORDERING.
  3. SPECIFY WIRE CONFIGURATION WHEN ORDERING, TEMPLATE REMAINS THE SAME.
    - CT4                      • CT4 x EZ \*
    - CT8                      • CT8 x EZ \*
    - CT12                     • CT12 x EZ \*
  - \* SPECIFY ELECTRIFIED HARDWARE MANUFACTURER FOR CONNECTOR COMPATIBILITY
  4. IF "M" OPTION (MOVEABLE PANEL) IS CHOSEN, TEMPLATE REMAINS THE SAME.
  5. 30 AWG WIRES, APPROX. 4" LONG PER SIDE, RATED 2 AMP CONTINUOUS LOW VOLTAGE.
  6. THRU WIRE & MONITOR SWITCH LOCATION DIMENSIONS +/- 1/16".



STANDARD HINGE SIZES & SCREW DETAIL			
NOMINAL DOOR HEIGHT	7'0"	8'0"	10'0"
ACTUAL HINGE HEIGHT	83-1/8"	95"	118-3/4"
10-24 x 7/8" PHILLIPS FLAT HEAD, UNDERCUT, SELF-DRILLING MACHINE SCREW	42	46	54
#10 x 1-1/4" PHILLIPS FLAT HEAD, UNDERCUT, SHEET METAL SCREW	42	46	54

THIS DRAWING IS NOT TO SCALE.

A500RB-CT OPTION, THRU WIRE & MONITOR SWITCH-1-00.DWG

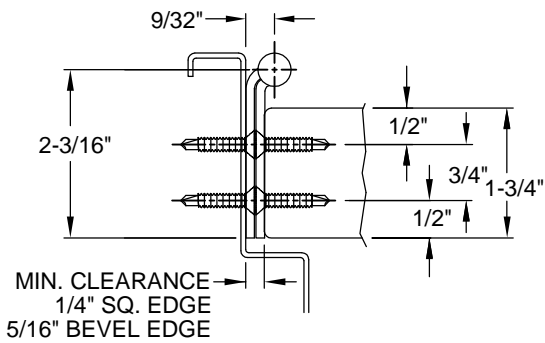


www.abhmf.com  
 E-mail: abhinfo@abhmf.com  
 Architectural Builders Hardware Mfg., Inc.  
 1222 Ardmore Ave., Itasca, IL 60143  
 630.875.9900; FAX 800.9FAXABH (932.9224)

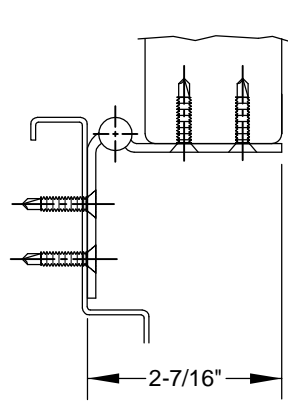
## A500RB - "CT" OPTION THRU WIRE & MONITOR SWITCH

© 2016 ABH Mfg., Inc. printed in USA

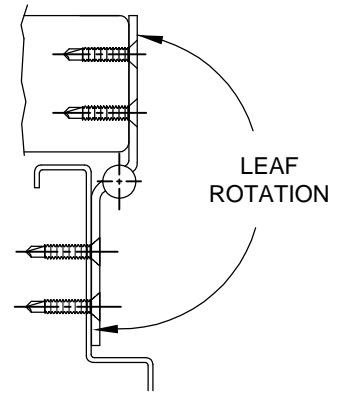
**A500RB - "CT" OPTION, RAISED BARREL, THRU WIRE & MONITOR SWITCH, FULL CONCEALED, EDGE MOUNT, STAINLESS STEEL HINGE**



**CLOSED POSITION**  
( WIRES NOT SHOWN)

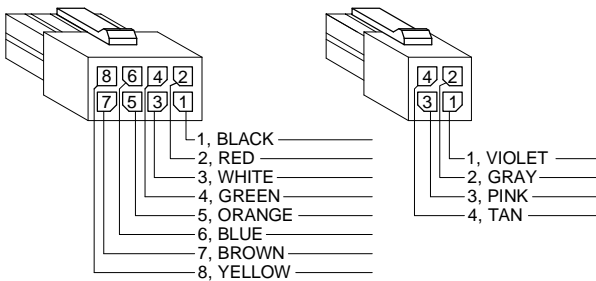


**90° OPEN POSITION**  
( WIRES NOT SHOWN)

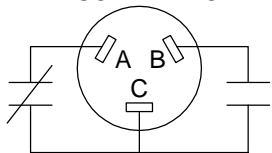


**180° OPEN POSITION**  
( WIRES NOT SHOWN)

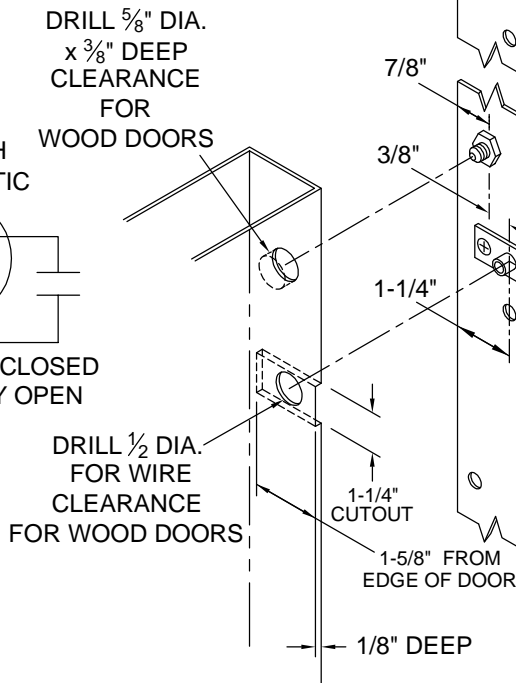
**EZ CONNECT OPTION**



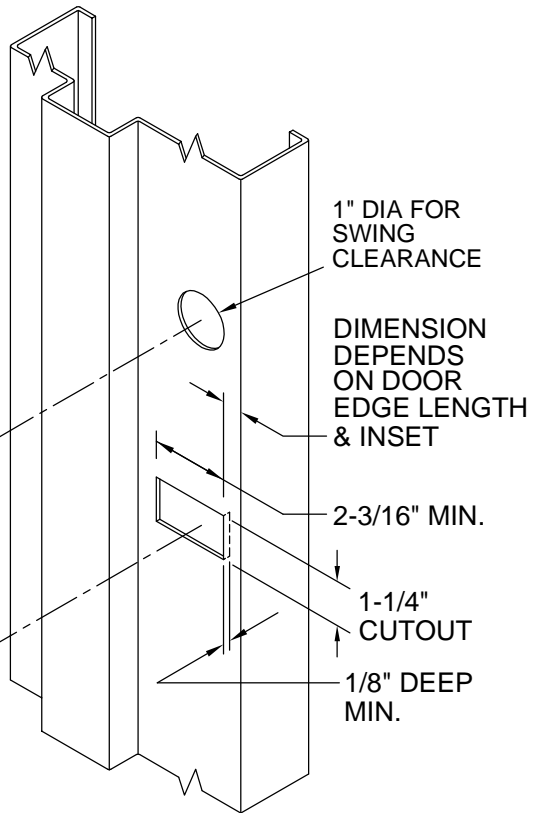
**SWITCH SCHEMATIC**



A & C = NORMALLY CLOSED  
B & C = NORMALLY OPEN



**83-1/8" LEFT HAND SHOWN FOR EXAMPLE**



A500RB-CT OPTION, THRU WIRE & MONITOR SWITCH-2-00.DWG



® [www.abhmfg.com](http://www.abhmfg.com)  
E-mail: [abhinfo@abhmfg.com](mailto:abhinfo@abhmfg.com)  
Architectural Builders Hardware Mfg., Inc.  
1222 Ardmore Ave., Itasca, IL 60143  
630.875.9900; FAX 800.9FAXABH (932.9224)

**A500RB - "CT" OPTION**  
**THRU WIRE & MONITOR SWITCH**

© 2016 ABH Mfg., Inc.  
printed in USA

PAGE 2 OF 2  
ISSUED 04-20-16