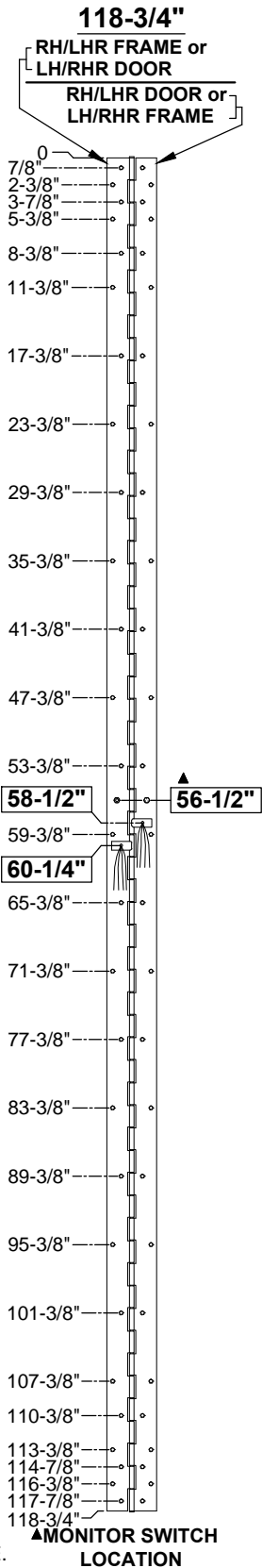
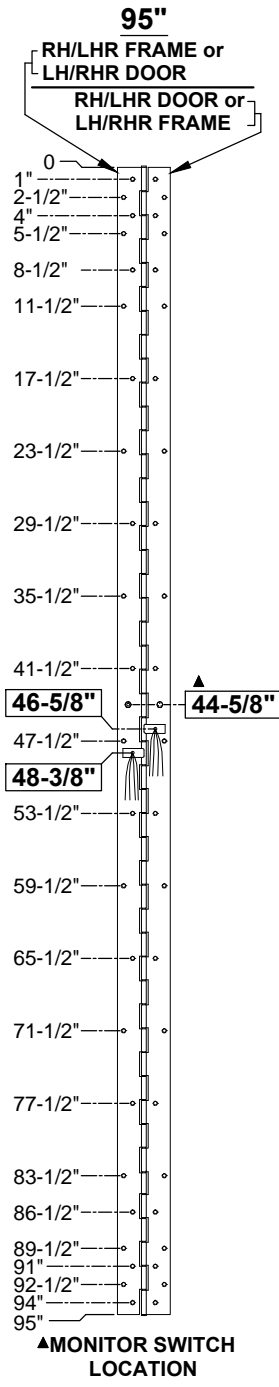
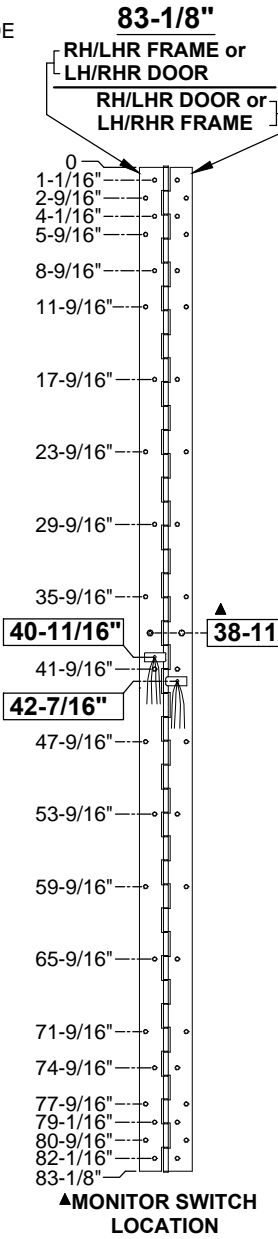
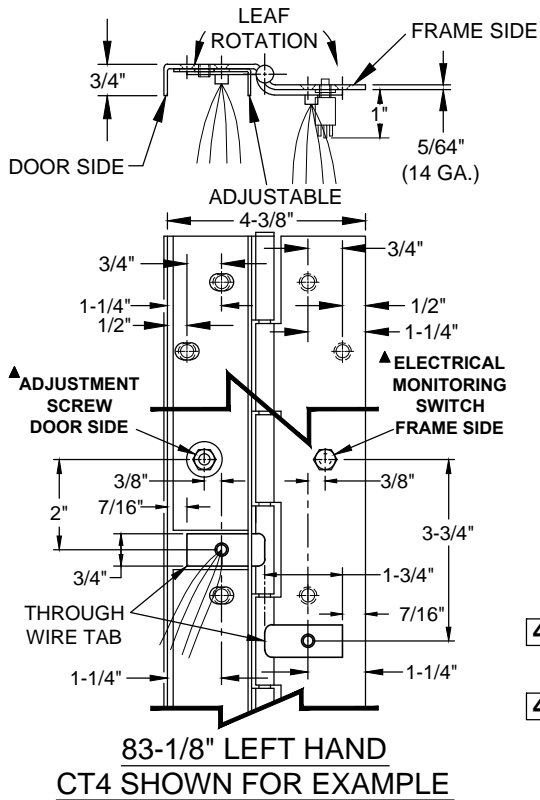


A505RB - "CT" OPTION, RAISED BARREL, THRU WIRE & MONITOR SWITCH, FULL CONCEALED, DUAL EDGE GUARD, STAINLESS STEEL HINGE



- NOTES:**
- HINGES CUT TO CUSTOM LENGTH ARE CUT FROM BOTTOM OF HINGE.
 - SPECIFY HANDING WHEN ORDERING.
 - SPECIFY WIRE CONFIGURATION WHEN ORDERING, TEMPLATE REMAINS THE SAME.
 - CT4
 - CT8
 - CT12
 - CT4 x EZ *
 - CT8 x EZ *
 - CT12 x EZ *
 - IF "M" OPTION (MOVEABLE PANEL) IS CHOSEN, TEMPLATE REMAINS THE SAME.
 - 30 AWG WIRES, APPROX. 4" LONG PER SIDE, RATED 2 AMP CONTINUOUS LOW VOLTAGE.
 - THRU WIRE & MONITOR SWITCH LOCATION DIMENSIONS +/- 1/16".

STANDARD HINGE SIZES & SCREW DETAIL			
NOMINAL DOOR HEIGHT	7'0"	8'0"	10'0"
ACTUAL HINGE HEIGHT	83-1/8"	95"	118-3/4"
10-24 x 7/8" PHILLIPS FLAT HEAD, UNDERCUT, SELF-DRILLING MACHINE SCREW	42	46	54
#10 x 1-1/4" PHILLIPS FLAT HEAD, UNDERCUT, SHEET METAL SCREW	42	46	54
"AS" ADJUSTABLE STUDS & 10-32 x 3/4" PHILLIPS FLAT HEAD, UNDERCUT, MACHINE SCREW	21	23	27

THIS DRAWING IS NOT TO SCALE. **MONITOR SWITCH LOCATION**

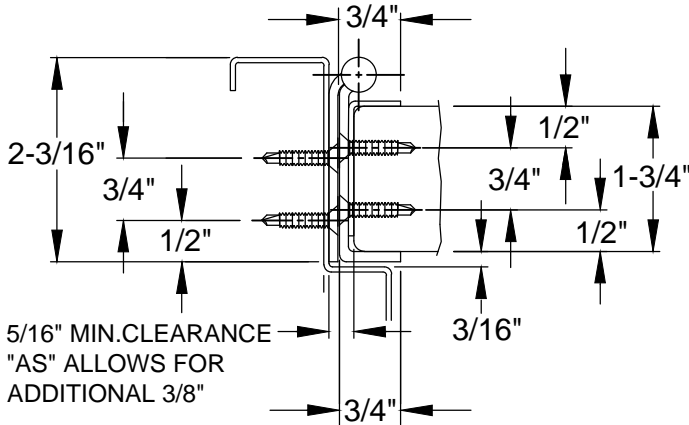
A505RB-CT OPTION, THRU WIRE & MONITOR SWITCH-1-01.DWG



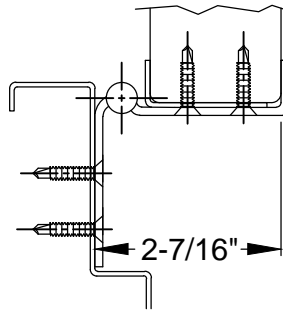
www.abhmfg.com
E-mail: abhinfo@abhmfg.com
Architectural Builders Hardware Mfg., Inc.
1222 Ardmore Ave., Itasca, IL 60143
630.875.9900; FAX 800.9FAXABH (932.9224)

A505RB - "CT" OPTION THRU WIRE & MONITOR SWITCH

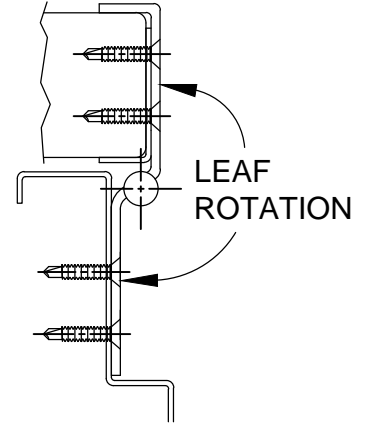
A505RB - "CT" OPTION, RAISED BARREL, THRU WIRE & MONITOR SWITCH, FULL CONCEALED, DUAL EDGE GUARD, STAINLESS STEEL HINGE



CLOSED POSITION
(WIRES NOT SHOWN)

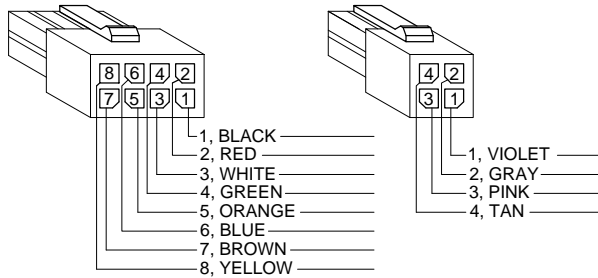


90° OPEN POSITION
(WIRES NOT SHOWN)



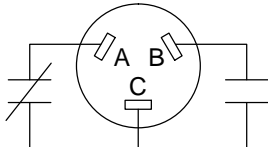
180° OPEN POSITION
(WIRES NOT SHOWN)

EZ CONNECT OPTION



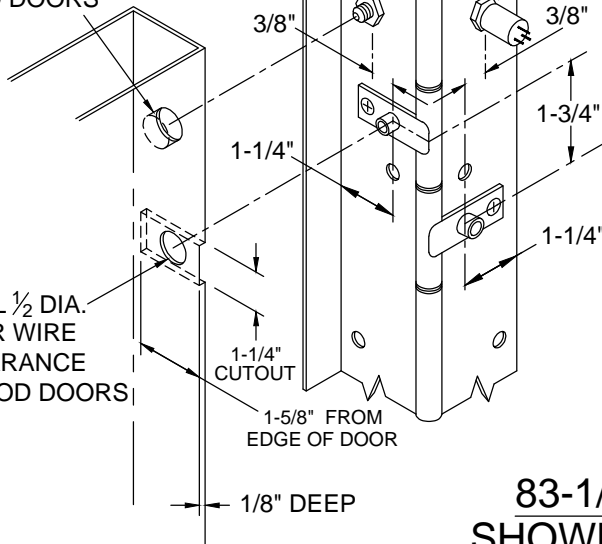
DRILL $\frac{5}{8}$ " DIA.
 $\times \frac{3}{8}$ " DEEP
CLEARANCE
FOR
WOOD DOORS

SWITCH
SCHEMATIC



A & C = NORMALLY CLOSED
B & C = NORMALLY OPEN

DRILL $\frac{1}{2}$ " DIA.
FOR WIRE
CLEARANCE
FOR WOOD DOORS



1" DIA FOR
SWING
CLEARANCE

DIMENSION
DEPENDS
ON DOOR
EDGE LENGTH
& INSET

2-3/16" MIN.

1-1/4"
CUTOUT

1/8" DEEP
MIN.

**83-1/8" LEFT HAND
SHOWN FOR EXAMPLE**

A505RB-CT OPTION, THRU WIRE & MONITOR SWITCH-2-01.DWG



www.abhmfg.com
E-mail: abhinfo@abhmfg.com
Architectural Builders Hardware Mfg., Inc.
1222 Ardmore Ave., Itasca, IL 60143
630.875.9900; FAX 800.9FAXABH (932.9224)

**A505RB - "CT" OPTION
THRU WIRE & MONITOR SWITCH**

© 2018 ABH Mfg., Inc.
printed in USA

PAGE 2 OF 2
REVISED 11-14-16