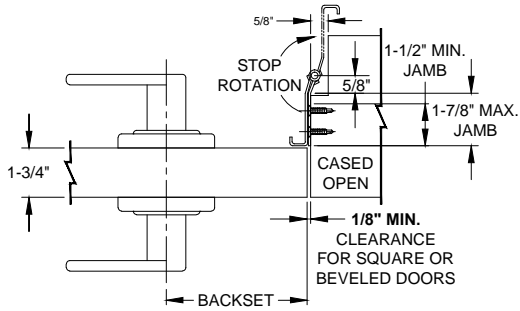


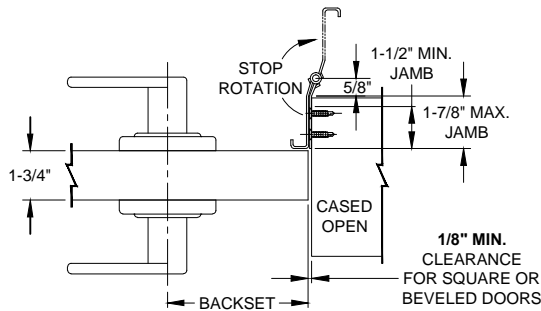
A509 - STAINLESS STEEL CONTINUOUS EMERGENCY RESCUE STOP

SINGLE RABBET FRAME, DOOR FLUSH MOUNT, RIGHT HAND SHOWN



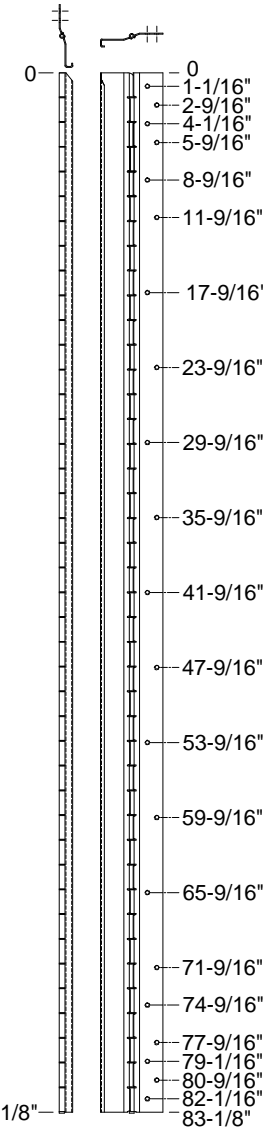
NOTCH CUTOUT REQUIRED FOR
2-3/4" BACKSET, SEE ORDER FORM

CASEOPENING FRAME, DOOR CENTER HUNG, RIGHT HAND SHOWN

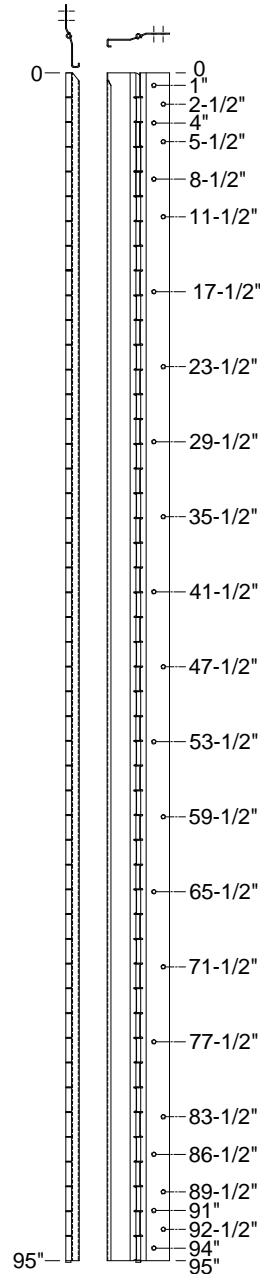


NOTCH CUTOUT, REQUIRED FOR
2-3/4" BACKSET, SEE ORDER FORM

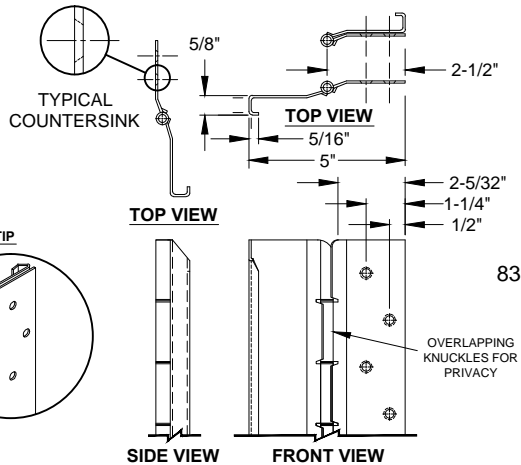
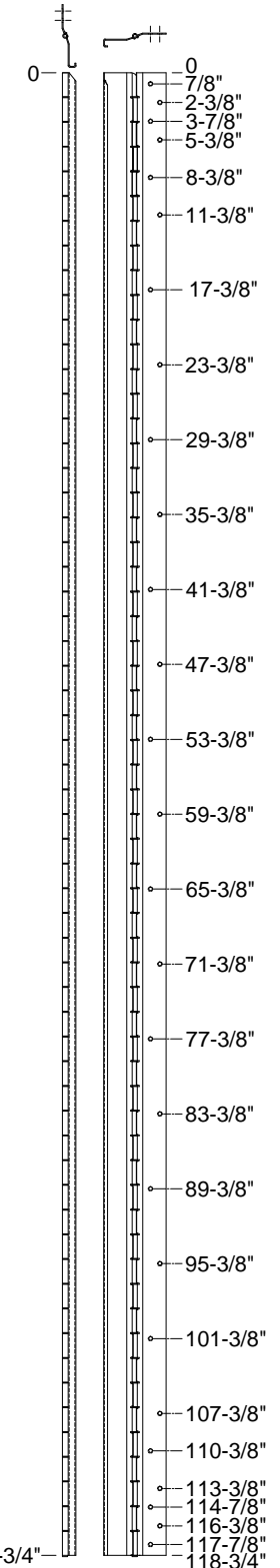
83-1/8" (HANDING REQUIRED) LEFT HAND SHOWN



95" (HANDING REQUIRED) LEFT HAND SHOWN



118.750" (HANDING REQUIRED) LEFT HAND SHOWN



NOTE: HINGE STOP CUT TO CUSTOM LENGTH ARE
CUT FROM THE BOTTOM, DOES
REQUIRE HANDING WHEN CUT.

STANDARD HINGE SIZES & SCREW DETAIL			
NOMINAL DOOR HEIGHT	7'0"	8'0"	10'0"
ACTUAL HINGE HEIGHT	83-1/8"	95"	118-3/4"
Pin/Torx® 10-24 x 7/8" PHILLIPS FLAT HEAD, UNDERCUT, SELF-DRILLING TEK MACHINE SECURITY SCREW	21	23	27
Pin/Torx® #10 x 1-1/4" PHILLIPS FLAT HEAD, UNDERCUT, SHEET METAL SECURITY SCREW	21	23	27

NOTE: THIS DRAWING IS NOT TO SCALE.

A509-STAINLESS STEEL EMERGENCY RESCUE STOP-05.DWG



www.abhmfg.com
E-mail: abhinfo@abhmfg.com
Architectural Builders Hardware Mfg., Inc.
1222 Ardmore Ave., Itasca, IL 60143
630.875.9900; FAX 800.9FAXABH (932.9224)

A509 - STAINLESS STEEL
CONTINUOUS EMERGENCY RESCUE STOP

© 2018 ABH Mfg., Inc.
printed in USA

PAGE 1 OF 1
ISSUED 12-04-18