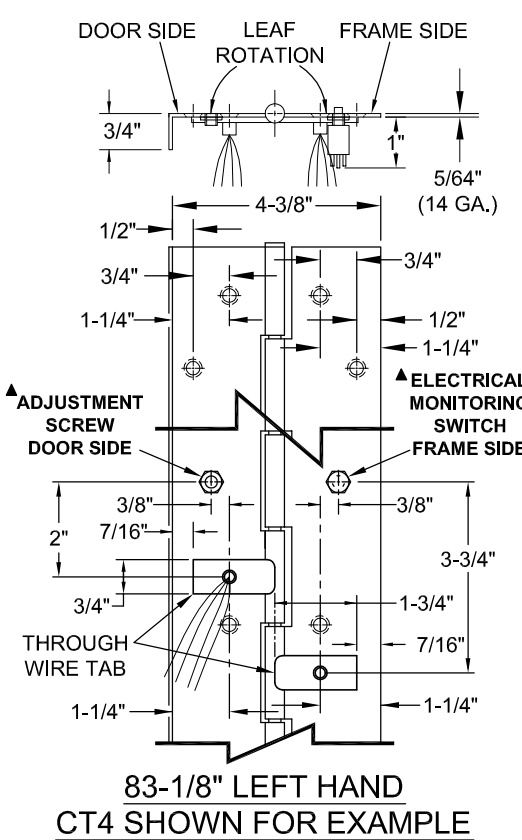


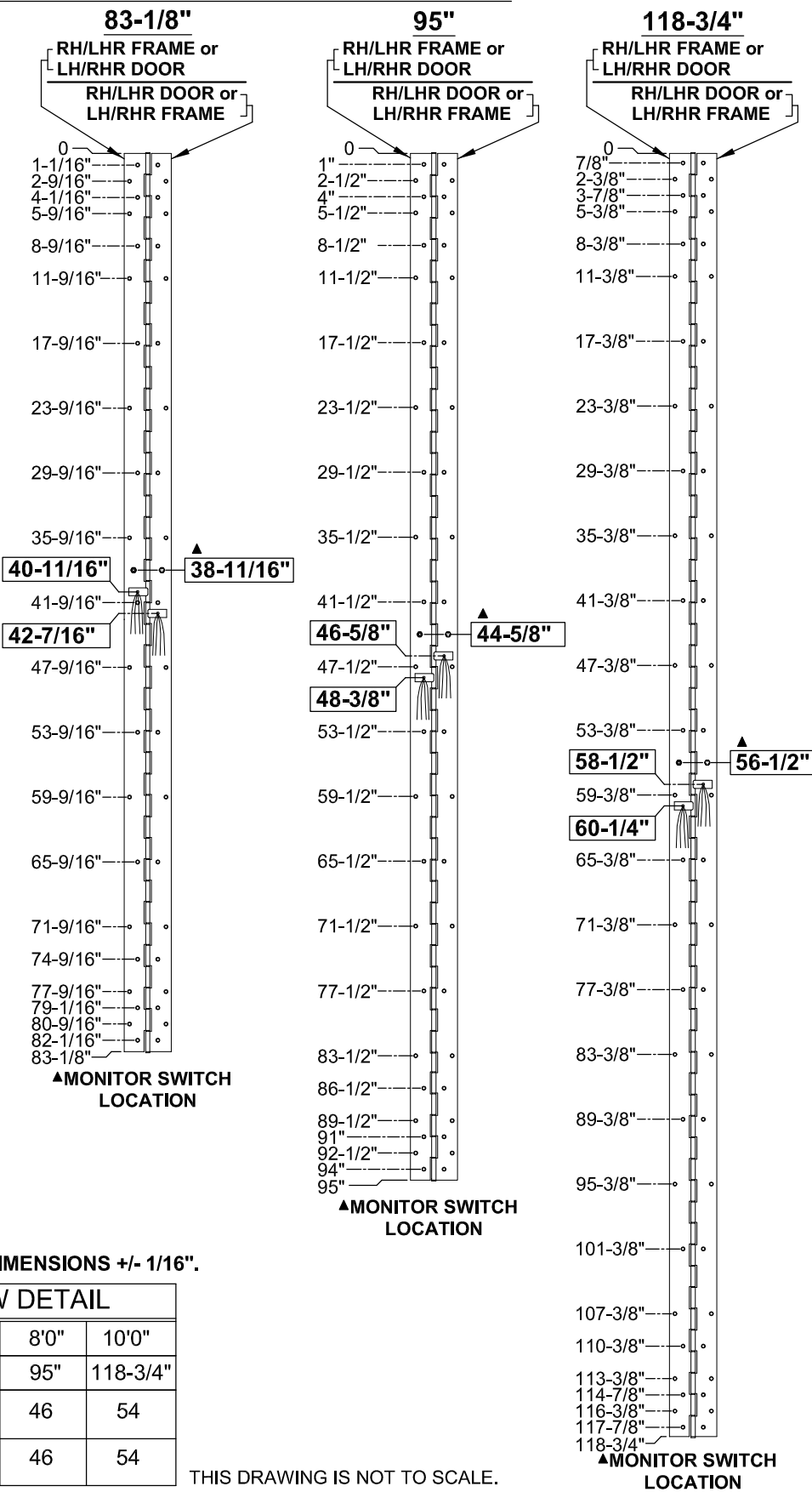
# A515 - "CT" OPTION, THRU WIRE & MONITOR SWITCH, FULL CONCEALED, SINGLE EDGE GUARD, STAINLESS STEEL HINGE



**83-1/8" LEFT HAND  
CT4 SHOWN FOR EXAMPLE**

- NOTES:**
1. HINGES CUT TO CUSTOM LENGTH ARE CUT FROM BOTTOM OF HINGE.
  2. SPECIFY HANDING WHEN ORDERING.
  3. SPECIFY WIRE CONFIGURATION WHEN ORDERING, TEMPLATE REMAINS THE SAME.
    - CT4                   • CT4 x EZ \*
    - CT8                   • CT8 x EZ \*
    - CT12                  • CT12 x EZ \*

- \* SPECIFY ELECTRIFIED HARDWARE MANUFACTURER FOR CONNECTOR COMPABILITY
- 4. IF "M" OPTION (MOVEABLE PANEL) IS CHOSEN, TEMPLATE REMAINS THE SAME.
- 5. 30 AWG WIRES, APPROX. 4" LONG PER SIDE, RATED 2 AMP CONTINUOUS LOW VOLTAGE.
- 6. THRU WIRE & MONITOR SWITCH LOCATION DIMENSIONS +/- 1/16".



▲MONITOR SWITCH LOCATION

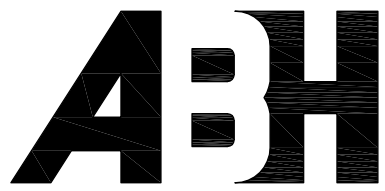
▲MONITOR SWITCH LOCATION

▲MONITOR SWITCH LOCATION

THIS DRAWING IS NOT TO SCALE.

STANDARD HINGE SIZES & SCREW DETAIL			
NOMINAL DOOR HEIGHT	7'0"	8'0"	10'0"
ACTUAL HINGE HEIGHT	83-1/8"	95"	118-3/4"
10-24 x 7/8" PHILLIPS FLAT HEAD, UNDERCUT, SELF-DRILLING MACHINE SCREW	42	46	54
#10 x 1-1/4" PHILLIPS FLAT HEAD, UNDERCUT, SHEET METAL SCREW	42	46	54

A515-CT OPTION, THRU WIRE & MONITOR SWITCH-1-00.DWG

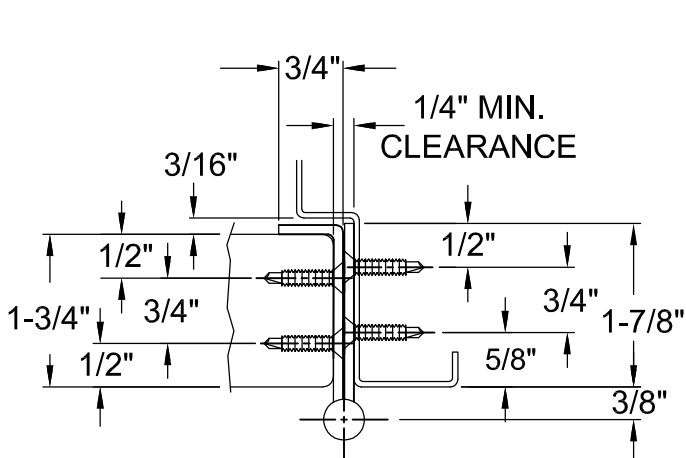


© www.abhmfg.com  
 E-mail: abhinfo@abhmfg.com  
 Architectural Builders Hardware Mfg., Inc.  
 1222 Ardmore Ave., Itasca, IL 60143  
 630.875.9900; FAX 800.9FAXABH (932.9224)

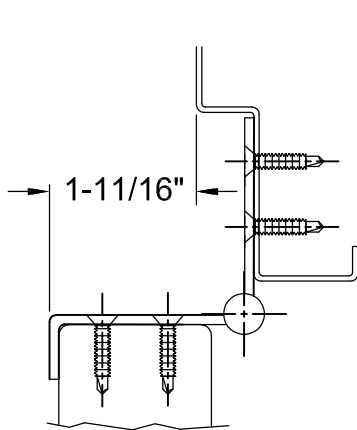
## A515 - "CT" OPTION THRU WIRE & MONITOR SWITCH

© 2016 ABH Mfg., Inc.  
printed in USA

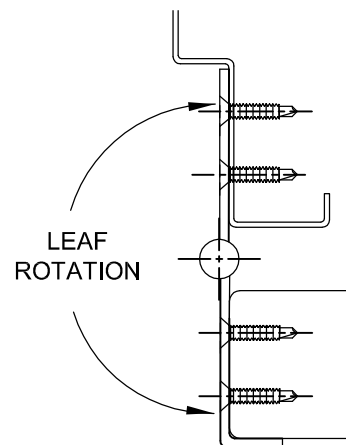
**A515 - "CT" OPTION, THRU WIRE & MONITOR SWITCH, FULL CONCEALED,  
SINGLE EDGE GUARD, STAINLESS STEEL HINGE**



**CLOSED POSITION**  
( WIRES NOT SHOWN)

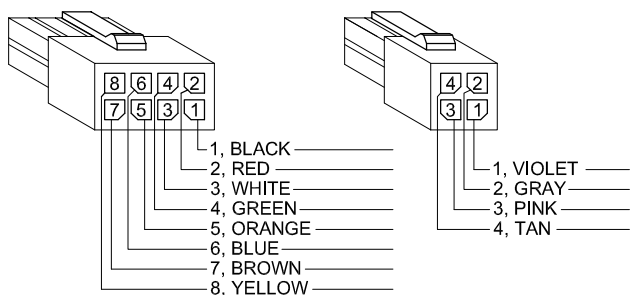


**90° OPEN POSITION**  
( WIRES NOT SHOWN)



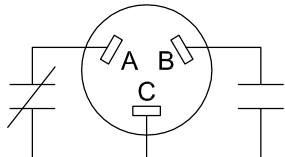
**180° OPEN POSITION**  
( WIRES NOT SHOWN)

**EZ CONNECT OPTION**



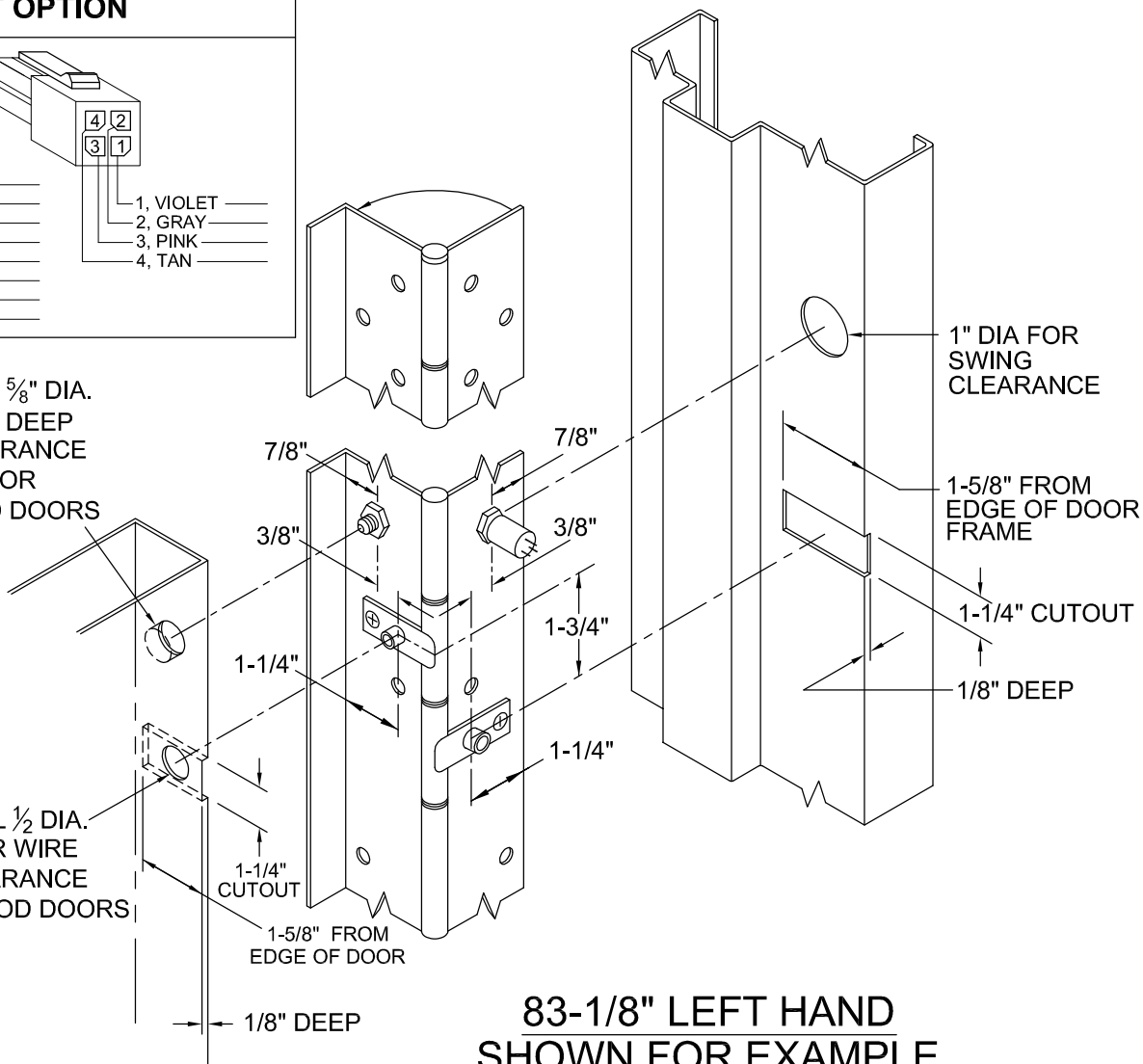
DRILL  $\frac{5}{8}$ " DIA.  
x  $\frac{3}{8}$ " DEEP  
CLEARANCE  
FOR  
WOOD DOORS

SWITCH  
SCHEMATIC



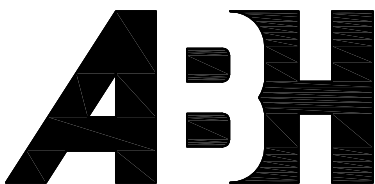
A & C = NORMALLY CLOSED  
B & C = NORMALLY OPEN

DRILL  $\frac{1}{2}$ " DIA.  
FOR WIRE  
CLEARANCE  
FOR WOOD DOORS



**83-1/8" LEFT HAND  
SHOWN FOR EXAMPLE**

A515-CT OPTION, THRU WIRE & MONITOR SWITCH-2-00.DWG



® [www.abhmfg.com](http://www.abhmfg.com)  
E-mail: [abhinfo@abhmfg.com](mailto:abhinfo@abhmfg.com)  
Architectural Builders Hardware Mfg., Inc.  
1222 Ardmore Ave., Itasca, IL 60143  
630.875.9900; FAX 800.9FAXABH (932.9224)

**A515 - "CT" OPTION  
THRU WIRE & MONITOR SWITCH**

© 2016 ABH Mfg., Inc.  
printed in USA

PAGE 2 OF 2  
ISSUED 01-12-16