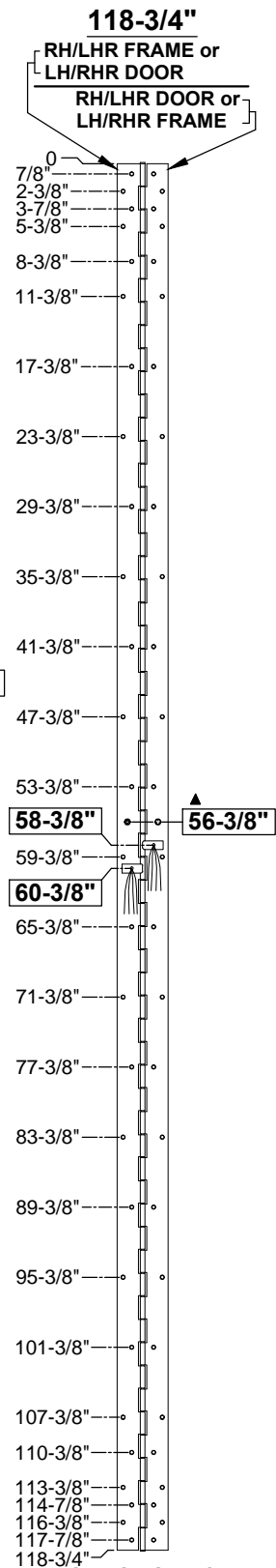
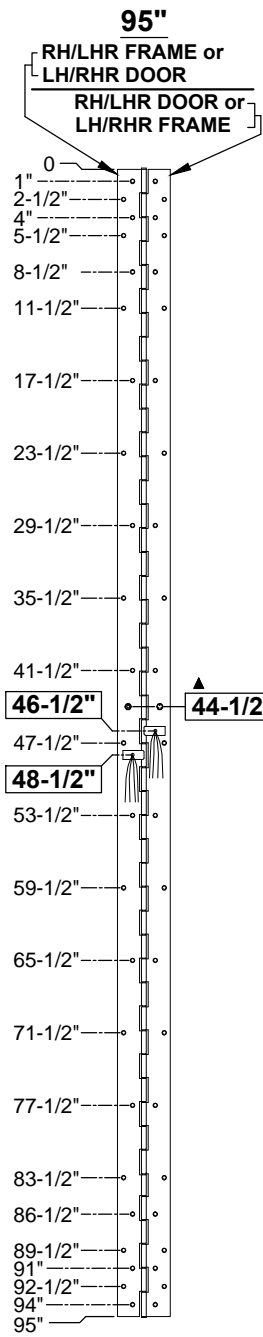
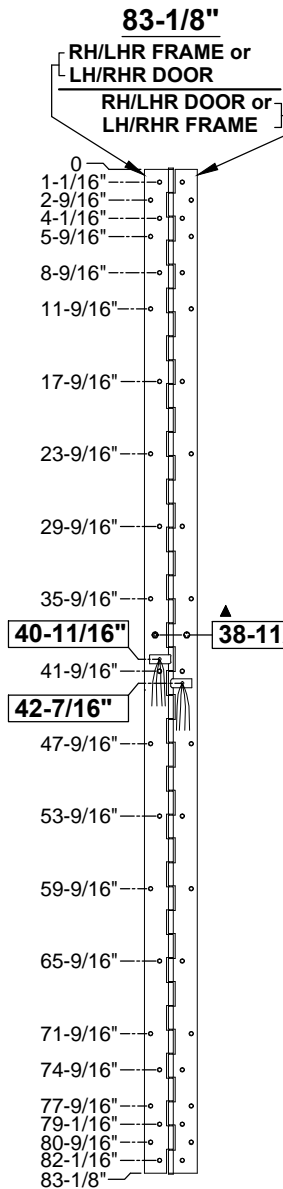
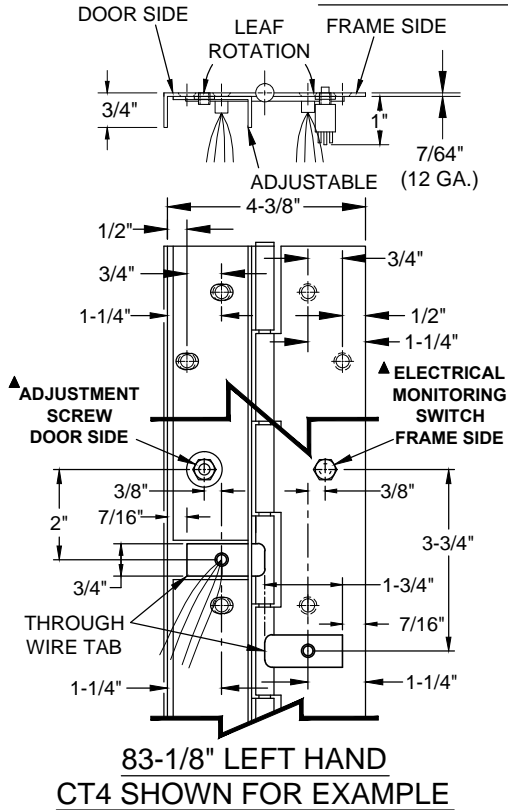


**A5505 - "CT" OPTION, THRU WIRE & MONITOR SWITCH, FULL CONCEALED,  
DUAL EDGE GUARD - 12 GA., STAINLESS STEEL HINGE**



▲ **MONITOR SWITCH LOCATION**

▲ **MONITOR SWITCH LOCATION**

▲ **MONITOR SWITCH LOCATION**

**NOTES:**

1. HINGES CUT TO CUSTOM LENGTH ARE CUT FROM BOTTOM OF HINGE.
2. SPECIFY HANDING WHEN ORDERING.
3. SPECIFY WIRE CONFIGURATION WHEN ORDERING, TEMPLATE REMAINS THE SAME.
  - CT4                      • CT4 x EZ \*
  - CT8                      • CT8 x EZ \*
  - CT12                     • CT12 x EZ \*
- \* SPECIFY ELECTRIFIED HARDWARE MANUFACTURER FOR CONNECTOR COMPATILITY
4. IF "M" OPTION (MOVEABLE PANEL) IS CHOSEN, TEMPLATE REMAINS THE SAME.
5. 30 AWG WIRES, APPROX. 4" LONG PER SIDE, RATED 2 AMP CONTINUOUS LOW VOLTAGE.
6. THRU WIRE & MONITOR SWITCH LOCATION DIMENSIONS +/- 1/16".

STANDARD HINGE SIZES & SCREW DETAIL			
NOMINAL DOOR HEIGHT	7'0"	8'0"	10'0"
ACTUAL HINGE HEIGHT	83-1/8"	95"	118-3/4"
12-24 x 1/2" PHILLIPS FLAT HEAD, UNDERCUT, MACHINE SCREW, S.S.	42	46	54

THIS DRAWING IS NOT TO SCALE.

A5505-CT OPTION, THRU WIRE & MONITOR SWITCH-1-01.DWG



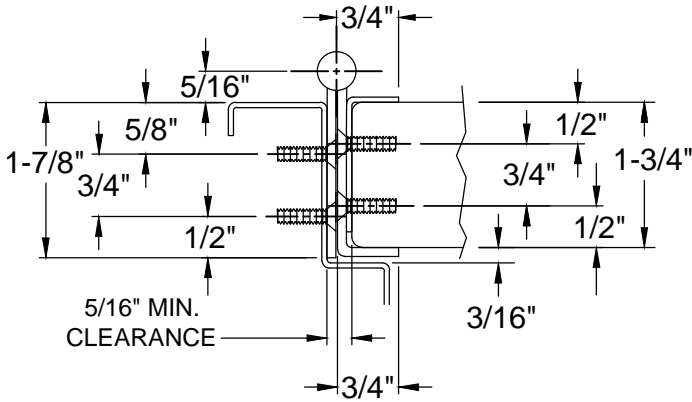
www.abhmfg.com  
E-mail: abhinfo@abhmfg.com  
Architectural Builders Hardware Mfg., Inc.  
1222 Ardmore Ave., Itasca, IL 60143  
630.875.9900; FAX 800.9FAXABH (932.9224)

**A5505 - "CT" OPTION  
THRU WIRE & MONITOR SWITCH  
12 GAUGE**

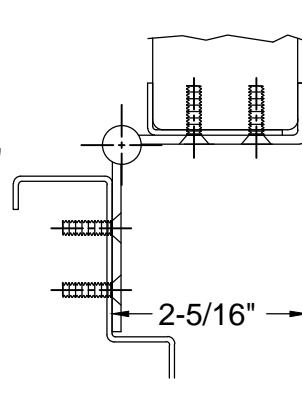
© 2018 ABH Mfg., Inc.  
printed in USA

PAGE 1 OF 2  
REVISED 11-14-16

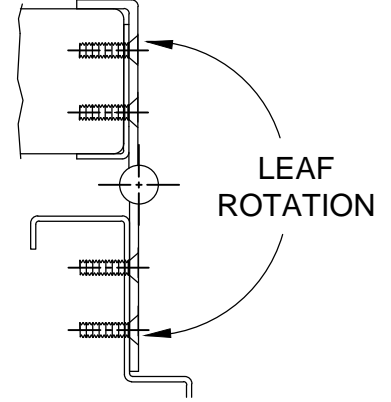
**A5505 - "CT" OPTION, THRU WIRE & MONITOR SWITCH, FULL CONCEALED,  
DUAL EDGE GUARD - 12 GA., STAINLESS STEEL HINGE**



**CLOSED POSITION**  
( WIRES NOT SHOWN)

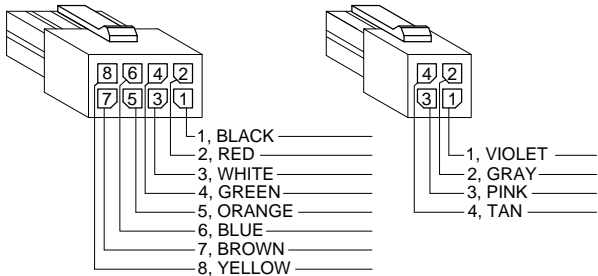


**90° OPEN POSITION**  
( WIRES NOT SHOWN)



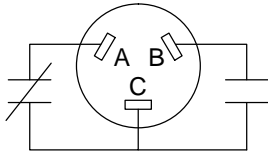
**180° OPEN POSITION**  
( WIRES NOT SHOWN)

**EZ CONNECT OPTION**



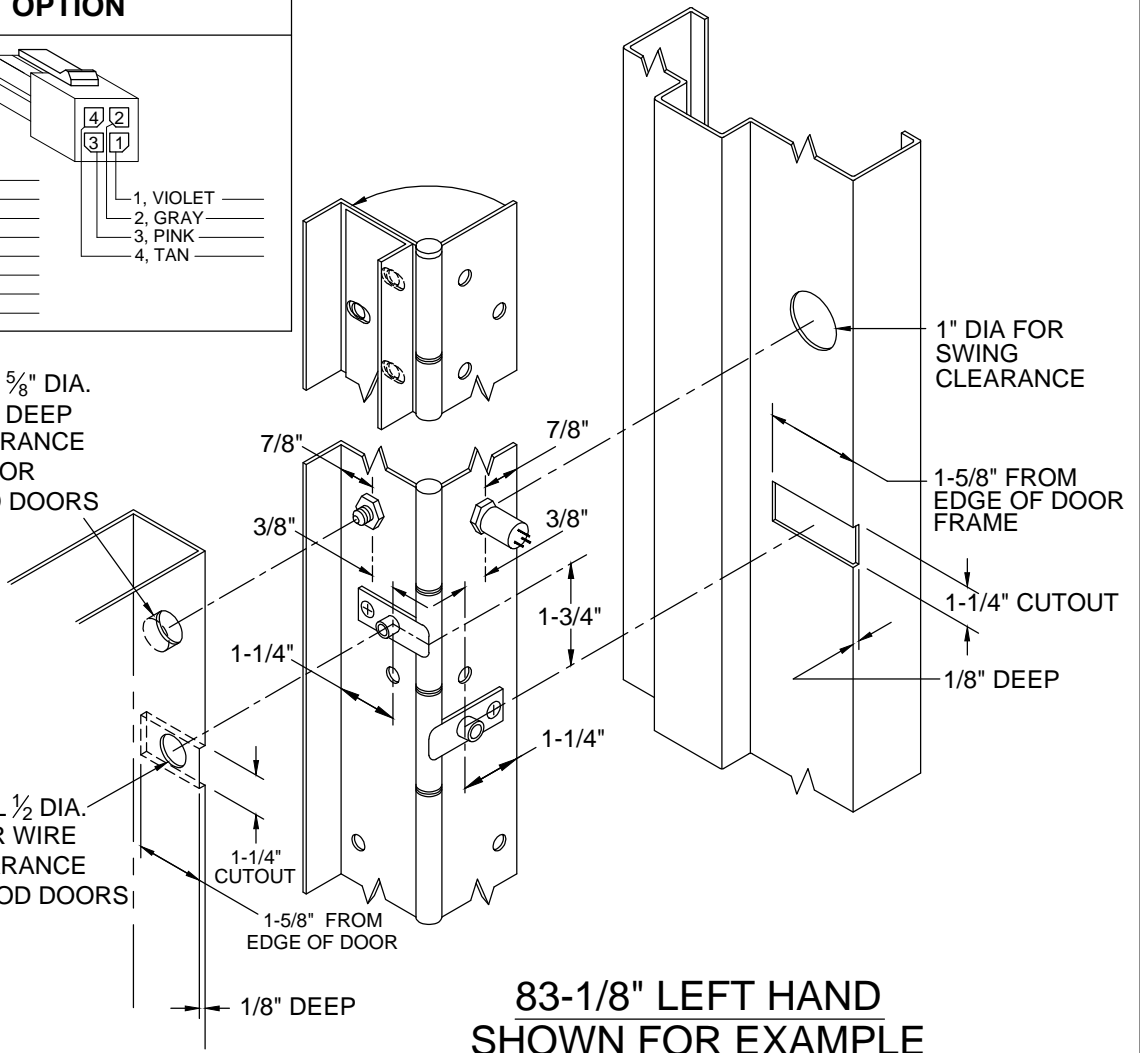
DRILL 5/8" DIA.  
x 3/8" DEEP  
CLEARANCE  
FOR  
WOOD DOORS

SWITCH  
SCHEMATIC



A & C = NORMALLY CLOSED  
B & C = NORMALLY OPEN

DRILL 1/2" DIA.  
FOR WIRE  
CLEARANCE  
FOR WOOD DOORS



**83-1/8" LEFT HAND  
SHOWN FOR EXAMPLE**



www.abhmfg.com  
E-mail: abhinfo@abhmfg.com  
Architectural Builders Hardware Mfg., Inc.  
1222 Ardmore Ave., Itasca, IL 60143  
630.875.9900; FAX 800.9FAXABH (932.9224)

A5505-CT OPTION, THRU WIRE & MONITOR SWITCH-2-01.DWG

**A5505 - "CT" OPTION  
THRU WIRE & MONITOR SWITCH  
12 GAUGE**

© 2018 ABH Mfg., Inc.  
printed in USA

PAGE 2 OF 2  
REVISED 11-14-16