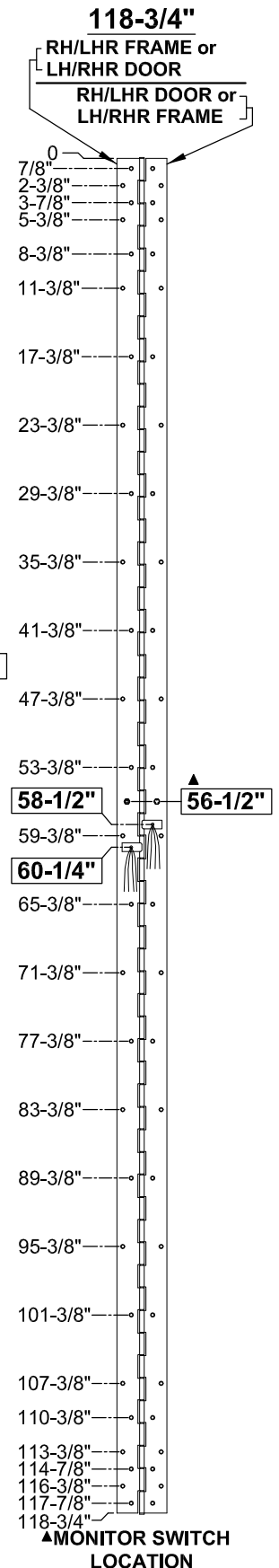
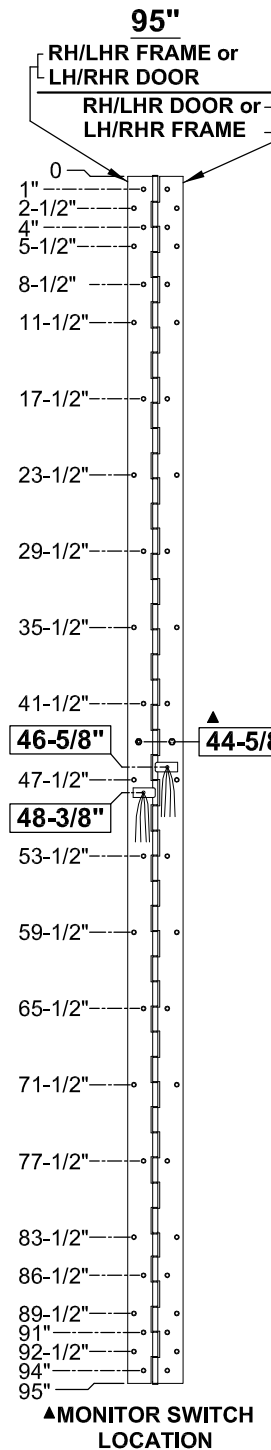
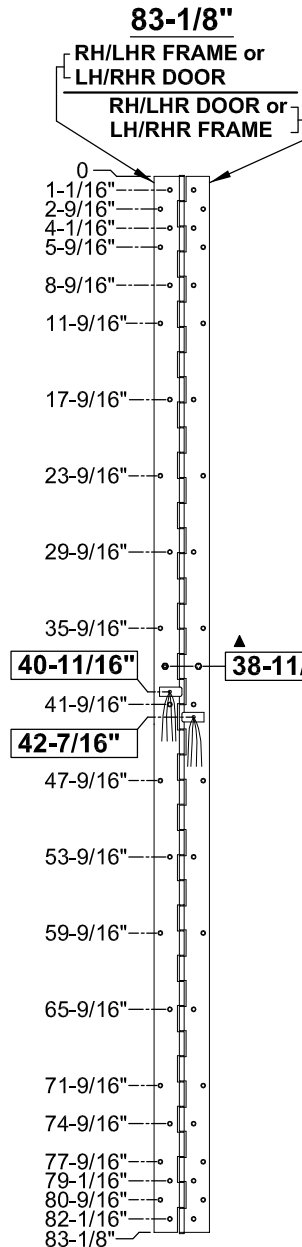
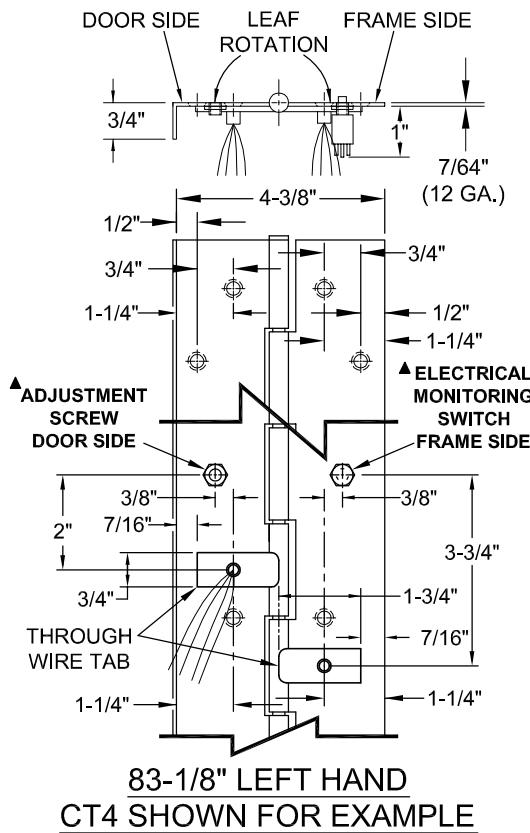


# A5515 - "CT" OPTION, THRU WIRE & MONITOR SWITCH, FULL CONCEALED, SINGLE EDGE GUARD - 12 GA., STAINLESS STEEL HINGE

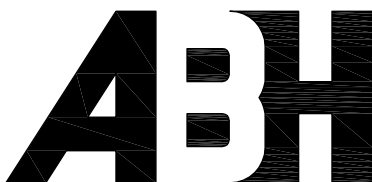


- NOTES:**
- HINGES CUT TO CUSTOM LENGTH ARE CUT FROM BOTTOM OF HINGE.
  - SPECIFY HANDING WHEN ORDERING.
  - SPECIFY WIRE CONFIGURATION WHEN ORDERING, TEMPLATE REMAINS THE SAME.
    - CT4                      CT4 x EZ \*
    - CT8                      CT8 x EZ \*
    - CT12                     CT12 x EZ \*
  - IF "M" OPTION (MOVEABLE PANEL) IS CHOSEN, TEMPLATE REMAINS THE SAME.
  - 30 AWG WIRES, APPROX. 4" LONG PER SIDE, RATED 2 AMP CONTINUOUS LOW VOLTAGE.
  - THRU WIRE & MONITOR SWITCH LOCATION DIMENSIONS +/- 1/16".

STANDARD HINGE SIZES & SCREW DETAIL			
NOMINAL DOOR HEIGHT	7'0"	8'0"	10'0"
ACTUAL HINGE HEIGHT	83-1/8"	95"	118-3/4"
12-24 x 1/2" PHILLIPS FLAT HEAD, UNDERCUT, MACHINE SCREW, S.S.	42	46	54

THIS DRAWING IS NOT TO SCALE.

A5515-CT OPTION, THRU WIRE & MONITOR SWITCH-1-00.DWG



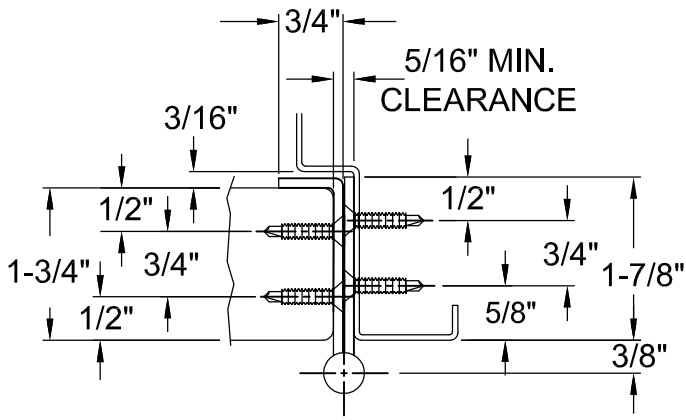
® www.abhmfg.com  
E-mail: abhinfo@abhmfg.com  
Architectural Builders Hardware Mfg., Inc.  
1222 Ardmore Ave., Itasca, IL 60143  
630.875.9900; FAX 800.9FAXABH (932.9224)

**A5515 - "CT" OPTION**  
THRU WIRE & MONITOR SWITCH  
12 GAUGE

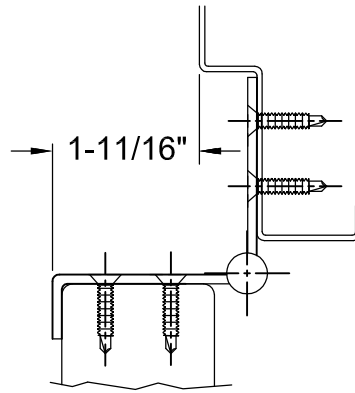
© 2016 ABH Mfg., Inc.  
printed in USA

PAGE 1 OF 2  
ISSUED 01-12-16

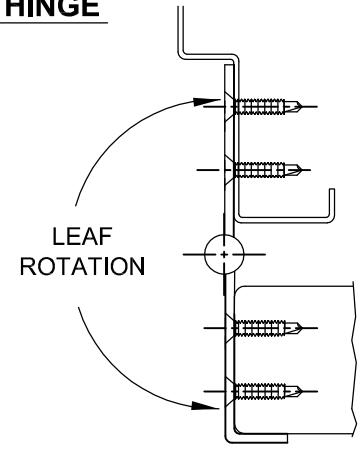
**A5515 - "CT" OPTION, THRU WIRE & MONITOR SWITCH, FULL CONCEALED,  
SINGLE EDGE GUARD - 12 GA., STAINLESS STEEL HINGE**



**CLOSED POSITION**  
( WIRES NOT SHOWN)

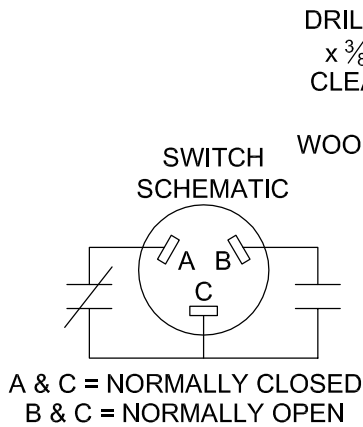
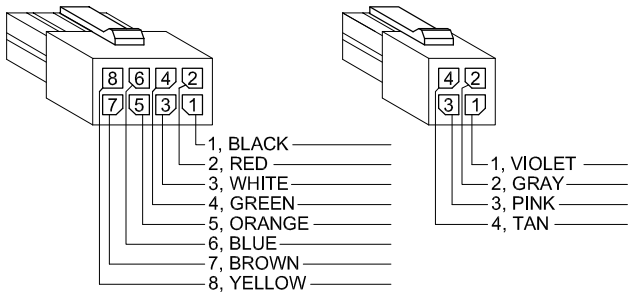


**90° OPEN POSITION**  
( WIRES NOT SHOWN)



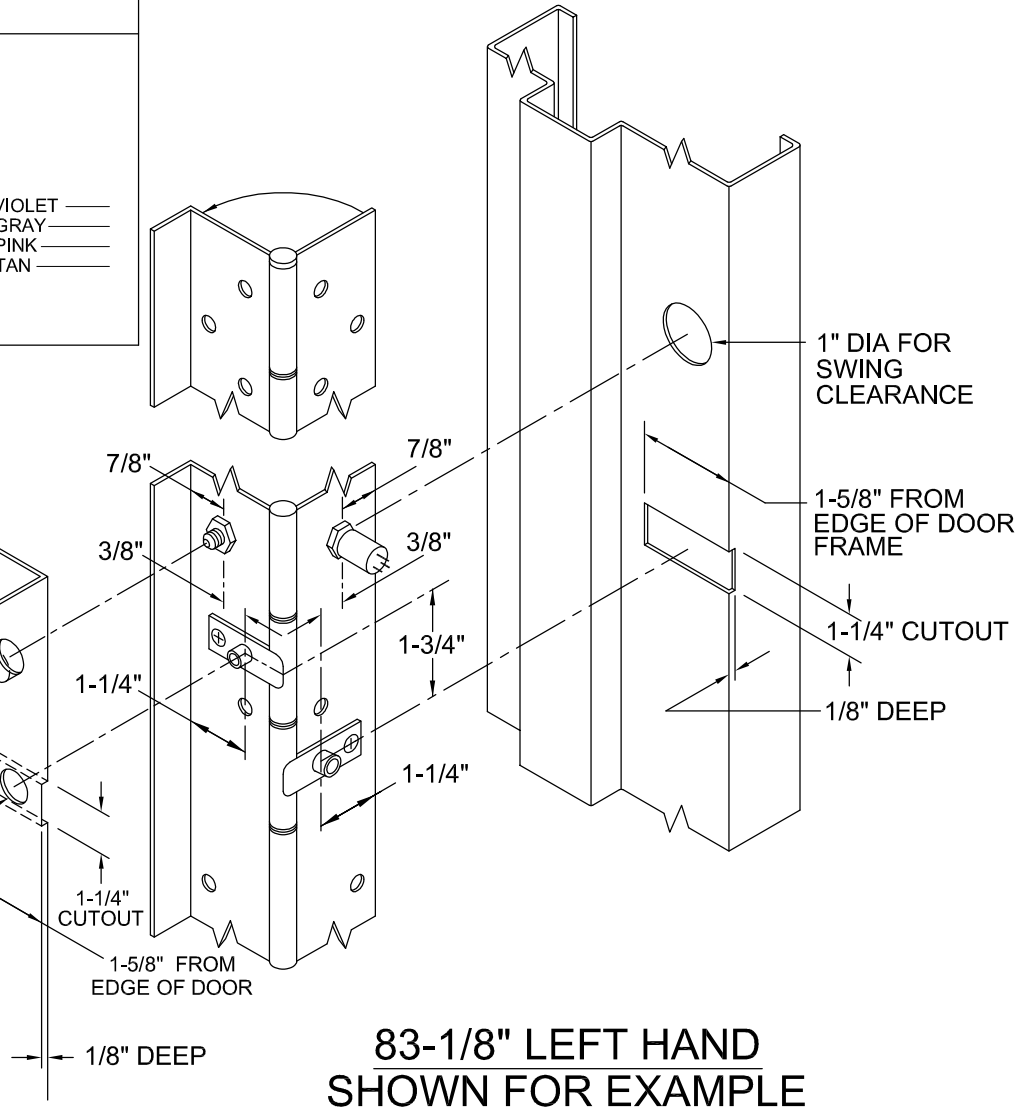
**180° OPEN POSITION**  
( WIRES NOT SHOWN)

**EZ CONNECT OPTION**



DRILL  $\frac{5}{8}$ " DIA.  
 $\times \frac{3}{8}$ " DEEP  
CLEARANCE  
FOR  
WOOD DOORS

DRILL  $\frac{1}{2}$ " DIA.  
FOR WIRE  
CLEARANCE  
FOR WOOD DOORS



**83-1/8" LEFT HAND  
SHOWN FOR EXAMPLE**

A5515-CT OPTION, THRU WIRE & MONITOR SWITCH-2-00.DWG



® [www.abhmfg.com](http://www.abhmfg.com)  
E-mail: [abhinfo@abhmfg.com](mailto:abhinfo@abhmfg.com)  
Architectural Builders Hardware Mfg., Inc.  
1222 Ardmore Ave., Itasca, IL 60143  
630.875.9900; FAX 800.9FAXABH (932.9224)

© 2016 ABH Mfg., Inc.  
printed in USA

**A5515 - "CT" OPTION**  
THRU WIRE & MONITOR SWITCH  
12 GAUGE

PAGE 2 OF 2  
ISSUED 01-12-16