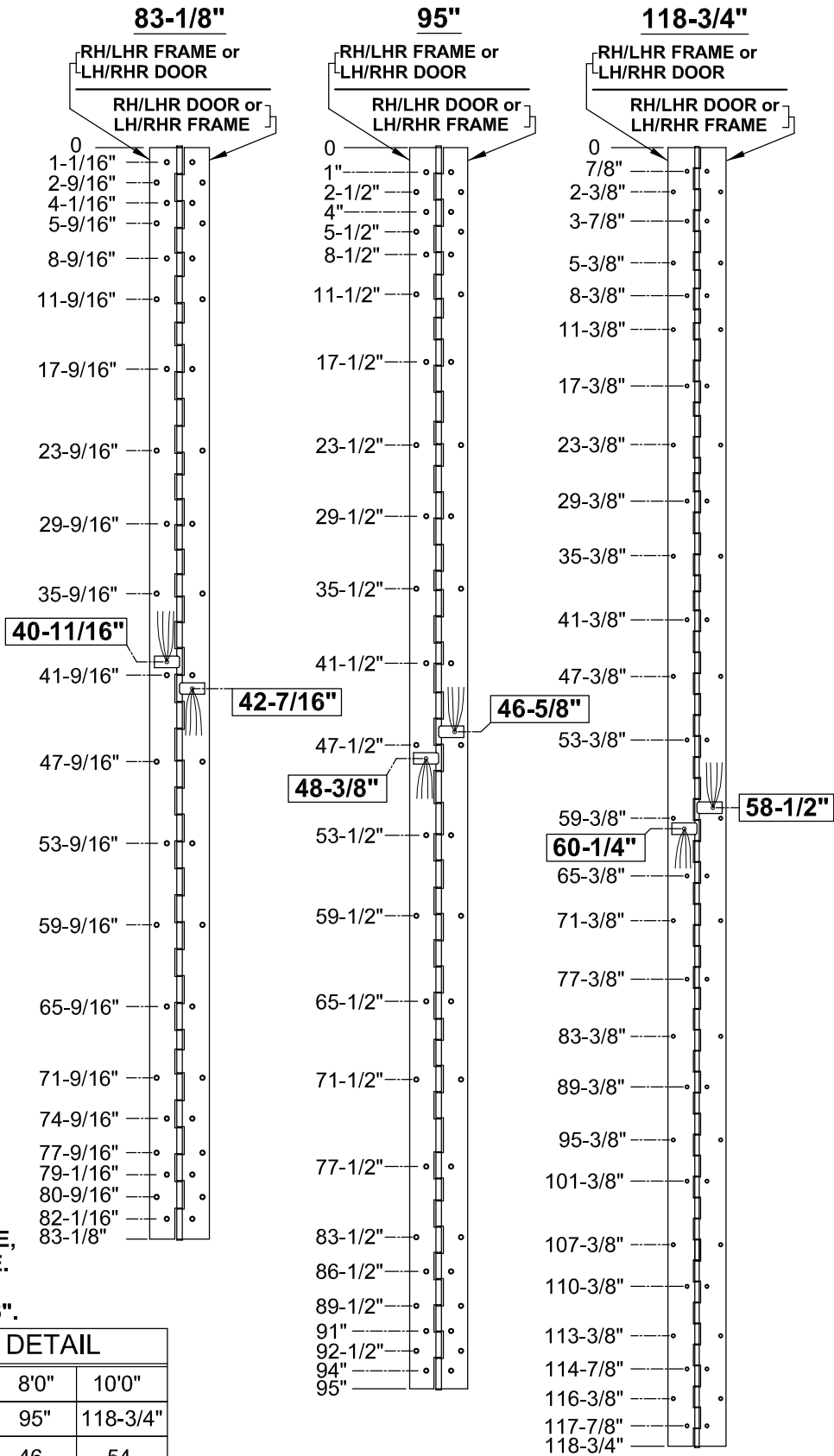
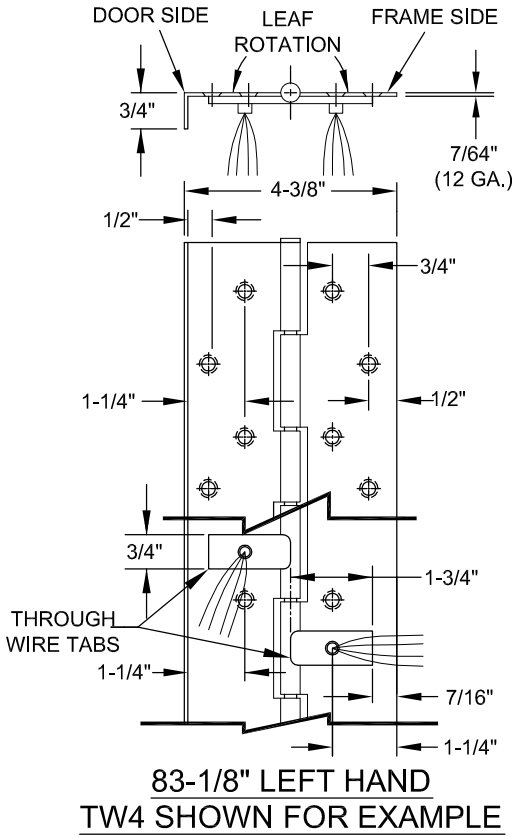


**A5515 - "TW" or "EZ" OPTION, CONCEALED ELECTRIFICATION, FULL CONCEALED,
SINGLE EDGE GUARD - 12 GA., STAINLESS STEEL HINGE**



NOTES:

1. HINGES CUT TO CUSTOM LENGTH ARE CUT FROM BOTTOM OF HINGE.
2. SPECIFY HANDING WHEN ORDERING.
3. SPECIFY WIRE CONFIGURATION WHEN ORDERING, TEMPLATE REMAINS THE SAME.
 - TW4 • EZ4 *
 - TW8 • EZ8 *
 - TW12 • EZ12 *
- * SPECIFY ELECTRIFIED HARDWARE MANUFACTURER FOR CONNECTOR COMPABILITY
4. IF "M" OPTION (MOVEABLE PANEL) IS CHOSEN, TEMPLATE REMAINS THE SAME.
5. 30 AWG WIRES, APPROX. 4" LONG PER SIDE, RATED 2 AMP CONTINUOUS LOW VOLTAGE.
6. THRU WIRE LOCATION DIMENSIONS +/- 1/16".

STANDARD HINGE SIZES & SCREW DETAIL

NOMINAL DOOR HEIGHT	7'0"	8'0"	10'0"
ACTUAL HINGE HEIGHT	83-1/8"	95"	118-3/4"
12-24 x 7/8" PHILLIPS FLAT HEAD, UNDERCUT, MACHINE SCREW, S.S.	42	46	54

THIS DRAWING IS NOT TO SCALE.

A5515-TW or EZ OPTION, CONCEALED ELECTRIFICATION-1-00.DWG

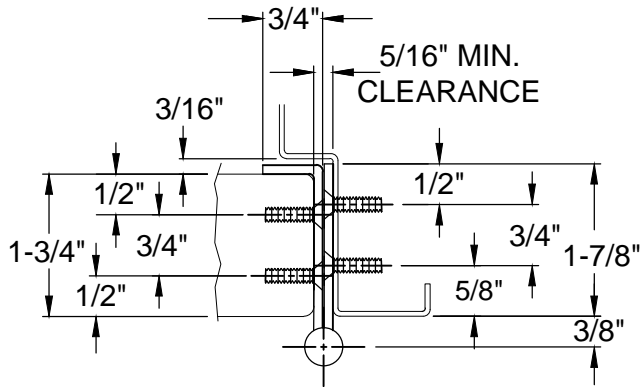


www.abhmfg.com
E-mail: abhinfo@abhmfg.com
Architectural Builders Hardware Mfg., Inc.
1222 Ardmore Ave., Itasca, IL 60143
630.875.9900; FAX 800.9FAXABH (932.9224)

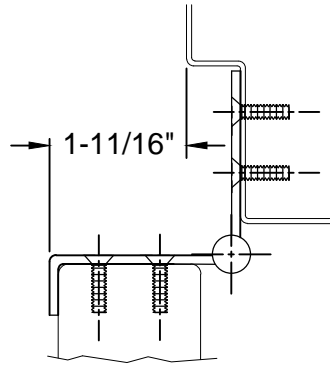
**A5515 - "TW" or "EZ" OPTION
CONCEALED ELECTRIFICATION
12 GAUGE**

© 2016 ABH Mfg., Inc.
printed in USA

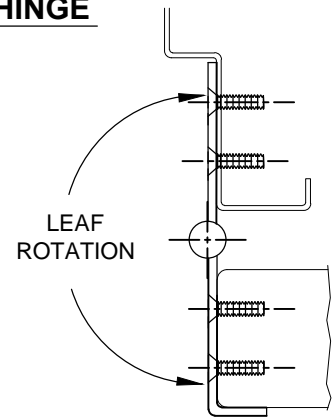
**A5515 - "TW" or "EZ" OPTION, CONCEALED ELECTRIFICATION, FULL CONCEALED,
SINGLE EDGE GUARD - 12 GA., STAINLESS STEEL HINGE**



CLOSED POSITION
(WIRES NOT SHOWN)

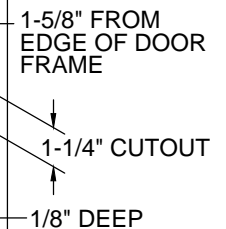
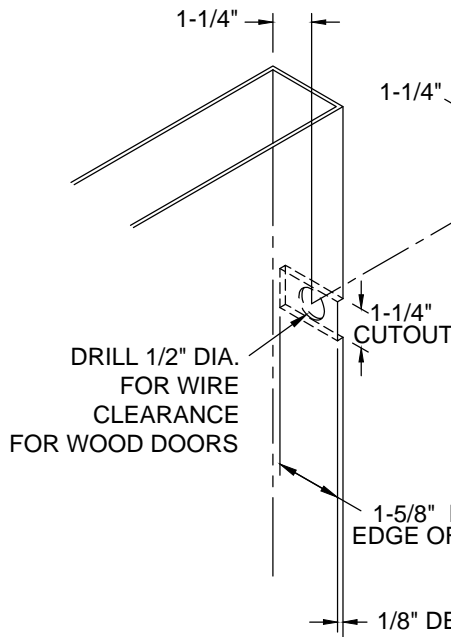
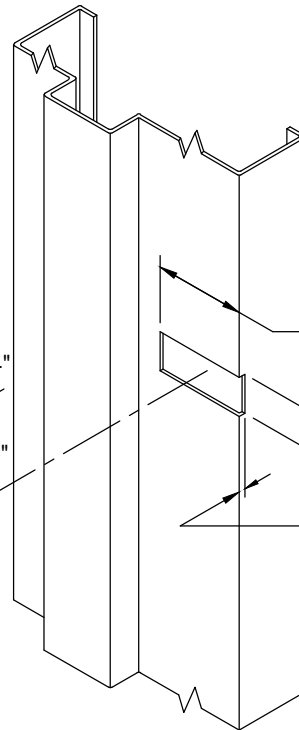
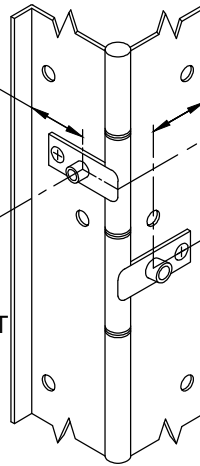
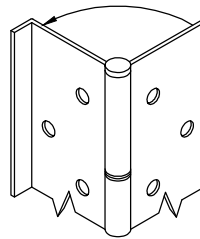
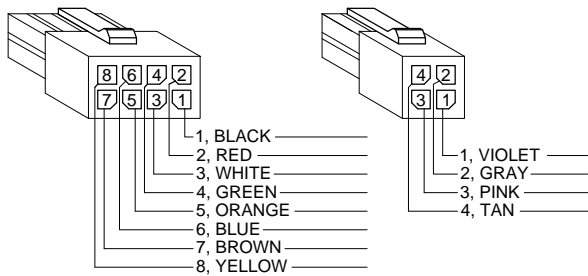


90° OPEN POSITION
(WIRES NOT SHOWN)



180° OPEN POSITION
(WIRES NOT SHOWN)

EZ CONNECT OPTION



**83-1/8" LEFT HAND
SHOWN FOR EXAMPLE**

A5515-TW or EZ OPTION, CONCEALED ELECTRIFICATION-2-00.DWG



www.abhmfg.com
E-mail: abhinfo@abhmfg.com
Architectural Builders Hardware Mfg., Inc.
1222 Ardmore Ave., Itasca, IL 60143
630.875.9900; FAX 800.9FAXABH (932.9224)

**A5515 - "TW" or "EZ" OPTION
CONCEALED ELECTRIFICATION
12 GAUGE**

©2016 ABH Mfg., Inc.
printed in USA

PAGE 2 OF 2
ISSUED 01-12-16