

A563

Spring Gate Hinge Full Mortise



Pin

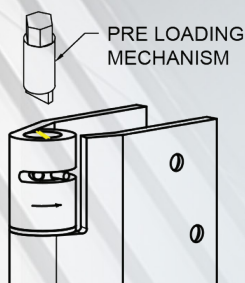
Type: Full Mortise Spring Hinge

LS Option: Less Spring (A561LS)

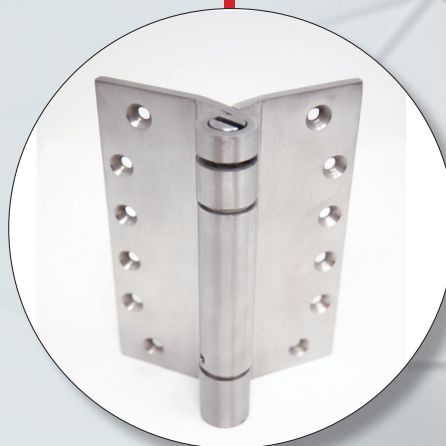
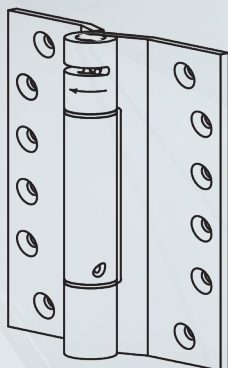
Material Thickness: 0.1875" (3/16") Stainless Steel

Door Width: 48" (maximum). Consult the ABH template for hinge quantity requirement.

Weight Capacity: 600 lbs. (maximum). Consult the ABH template for hinge requirement.



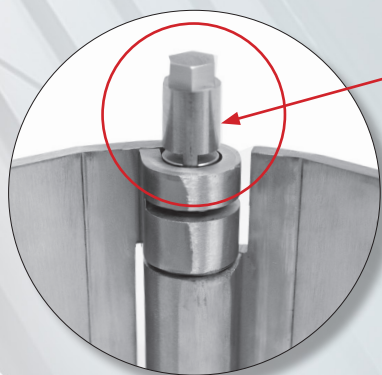
PRE LOADING
MECHANISM



Open



Closed



Tool to
Tighten/
Untightened

Material: (304) Stainless Steel

Spring Adjustability: Between 3 and 14 lbs.

Cycle Test: 2,500,000

Finishes: US3, US4, US9, US10, US10B, US32, US32D

Contact factory for custom finishes

Notes:

*Product ships as single, assembled piece.

*Not listed for fire-rated doors.