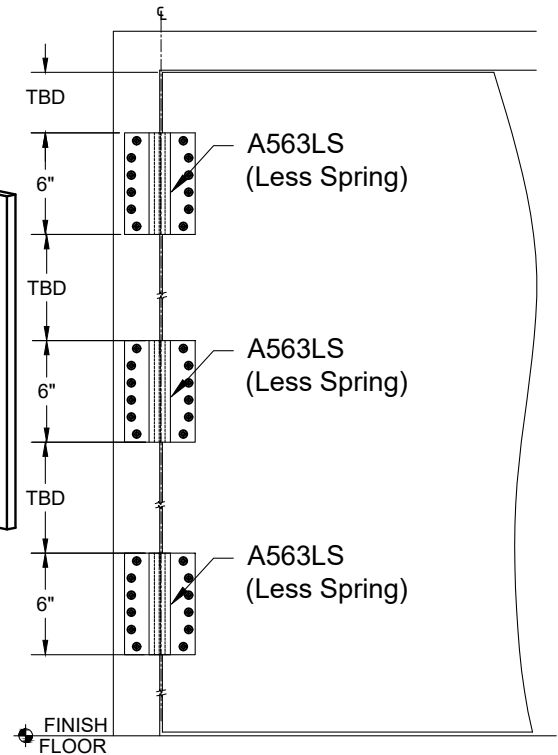
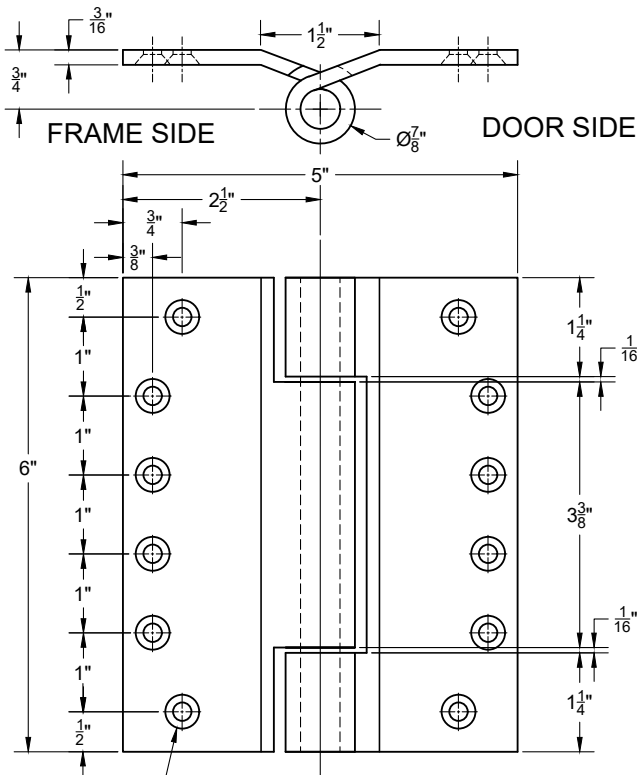
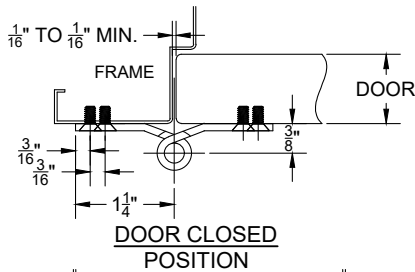


# A563LS (Less Spring) FULL SURFACE FLUSH MOUNT 6"x5" SQ. CORNER

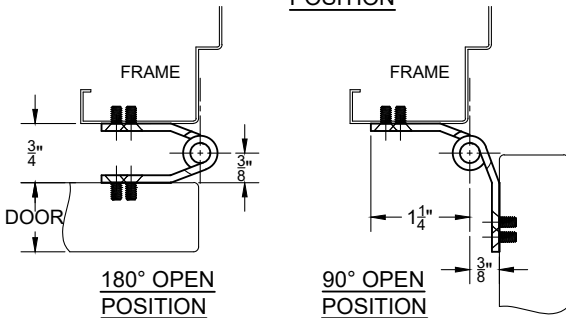


**Front view of Door  
Hinge Location for example**

DRILL & TAP  
FOR #12 FLAT  
HEAD SCREW  
(12 PLCS)

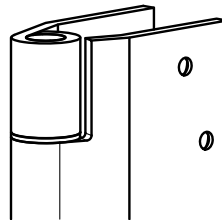


**DOOR CLOSED  
POSITION**



**180° OPEN  
POSITION**

**90° OPEN  
POSITION**



**Diagram-A**

**NOTES:**

1. HINGES ARE DESIGNED TO BE INSTALLED "FULL SURFACE".
2. CAN BE USED ON HOLLOW METAL OR WOOD FRAMES AND DOORS.
3. HINGES ARE NON-HANDED.
4. 1/32" TOLERANCE ON ALL PARTS
5. DO NOT SCALE DRAWING
6. INSTALL THE HINGE ON FACE OF FRAME AND DOOR, FLUSH MOUNT.
7. DIAGRAM-A SHOWS HINGE IN OPEN POSITION.

SCREW DETAIL	
QTY.	DESCRIPTION
12	12-24 x 3/4" PHILLIPS FLAT HEAD MACHINE SCREW, S.S.
12	#12 x 1-1/2" PHILLIPS FLAT HEAD SHEET METAL SCREW

A563LS(Less Spring) Self Closing Hinge.DWG



[www.abhmfg.com](http://www.abhmfg.com)  
 E-mail: [abhinfo@abhmfg.com](mailto:abhinfo@abhmfg.com)  
 Architectural Builders Hardware Mfg., Inc.  
 1222 Ardmore Ave., Itasca, IL 60143  
 630.875.9900; FAX 800.9FAXABH (932.9224)

**A563LS(Less Spring)**  
 Self-Closing Hinge

© 2020 ABH Mfg., Inc.  
printed in USA

ISSUED 04-27-20