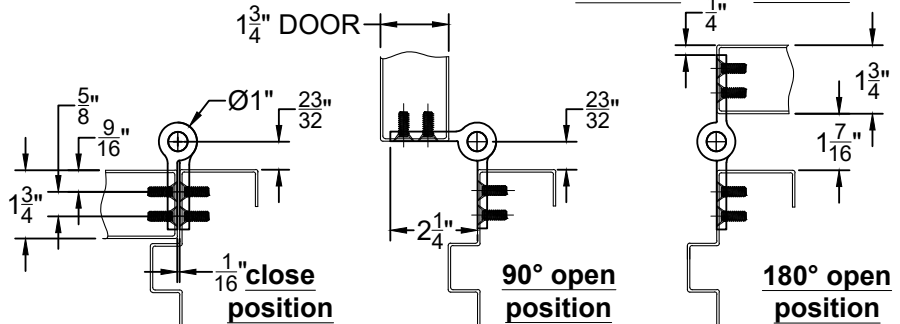
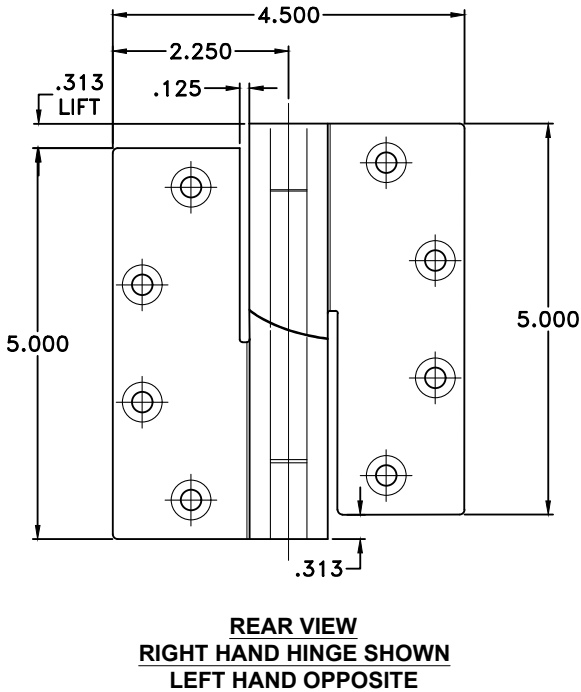
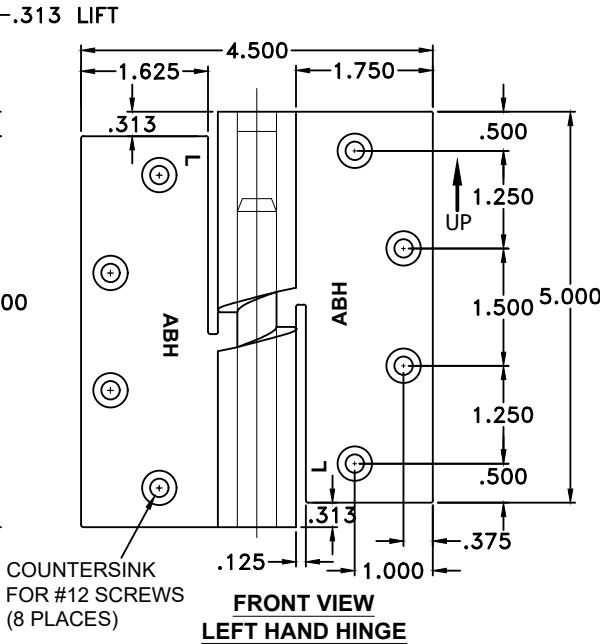
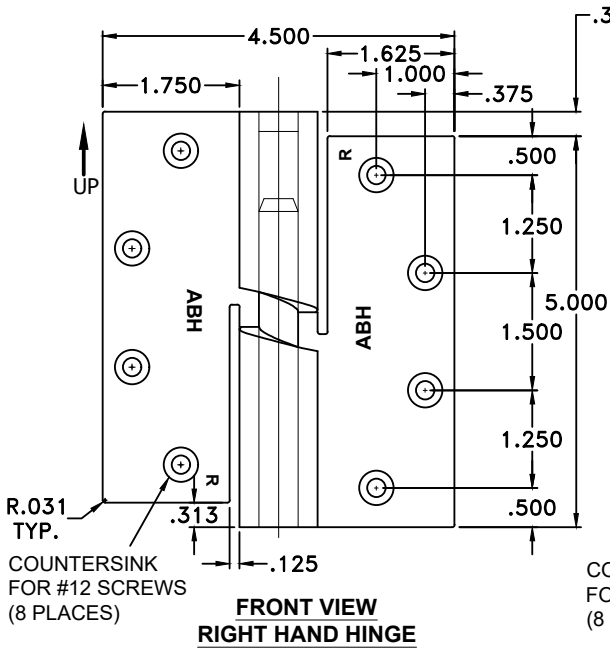
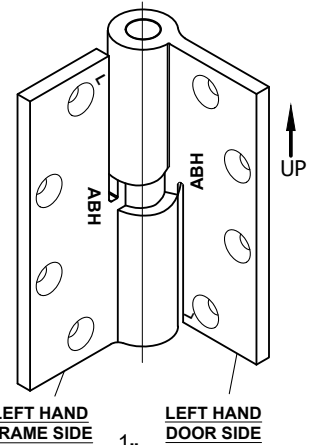
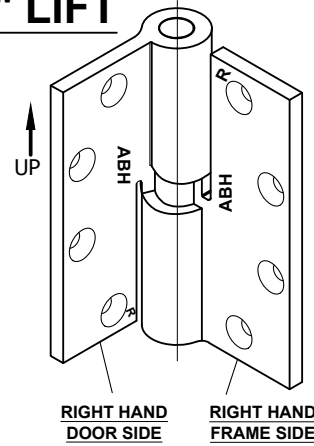
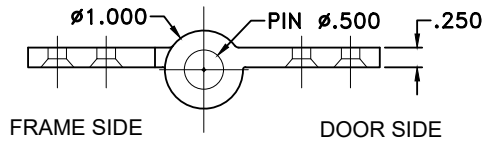
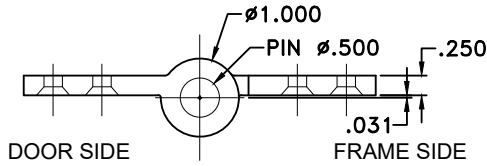


# A950 CAM LIFT HINGE - MORTISED, HANDED, 5/16" LIFT



## NOTES:

- CAM LIFT PIVOT HINGE IS STAINLESS STEEL HINGE, DESIGNED TO BE INSTALLED **MORTISE**.
- WHEN SWING OPEN THE DOOR RISES TO MAX. HEIGHT OF 5/16" AT 180°.
- DOOR RATING (1-1/2 PAIRS) UP TO 500 lbs.
- MINIMUM CLEARANCE AT HEAD OF FRAME IS 3/16", FOR DOOR GREATER THAN 1-3/4" THICK, CLEARANCE IS 1/4".
- CAN BE USED ON HOLLOW METAL OR WOOD FRAMES & DOORS.
- SCREW DETAILS ARE GIVEN BELOW. SCREWS MUST BE ENGAGED MINIMUM .345" IN STEEL REINFORCEMENT PER ASTM A-36.
- FOR USE WITH EM/RFI & SOUND INSULATING DOORS UTILIZING ACOUSTICAL SEALS.
- THE CAM FUNCTION IMPROVES THE SEALING CHARACTERISTICS ALONG THE DOOR PERIMETER, LIFTING AND LOWERING THE DOOR WITH THE SWING.
- HINGES ARE **HANDED**. SEE ABOVE PICTURE FOR RIGHT HAND & LEFT HAND.
  - LEFT HAND DOOR, USE "LEFT HAND" HINGE.
  - RIGHT HAND DOOR, USE "RIGHT HAND" HINGE
  - RIGHT HAND REVERSE DOOR, USE "LEFT HAND" HINGES
  - LEFT HAND REVERSE DOOR, USE "RIGHT HAND" HINGES
- 1/32" TOLERANCE ON ALL PARTS
- DO NOT SCALE DRAWING, ISOMETRIC VIEW IS FOR VISUAL REPRESENTATION.
- ALL DIMENSIONS ARE IN INCHES, UNLESS NOTED OTHERWISE.

SCREW DETAIL	
QTY	DESCRIPTION
8	12-24x3/4" PHILLIPS FLAT HEAD MACHINE SCREW, S.S.
8	#12 x1-1/2" PHILLIPS FLAT HEAD SHT. METAL SCREW, S.S.