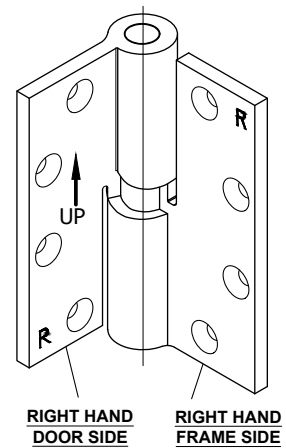
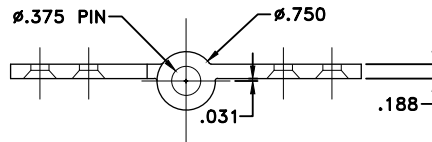
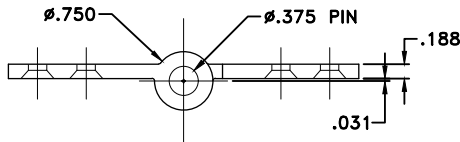
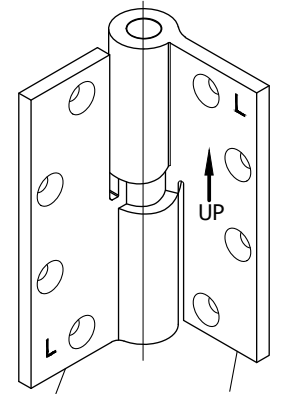


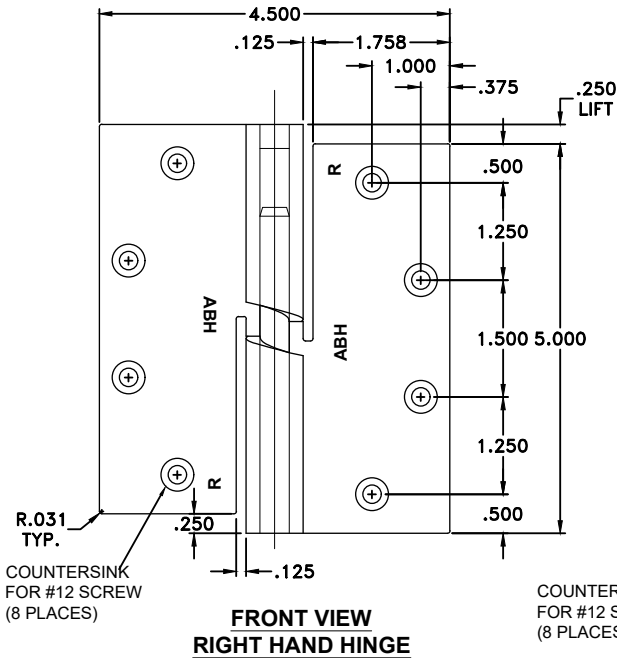
A953 CAM LIFT HINGE - HANDED, 1/4" LIFT



RIGHT HAND DOOR SIDE
RIGHT HAND FRAME SIDE

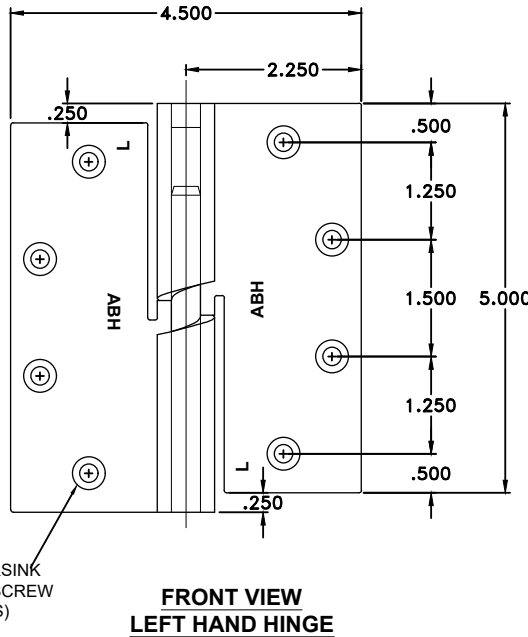


LEFT HAND FRAME SIDE
LEFT HAND DOOR SIDE



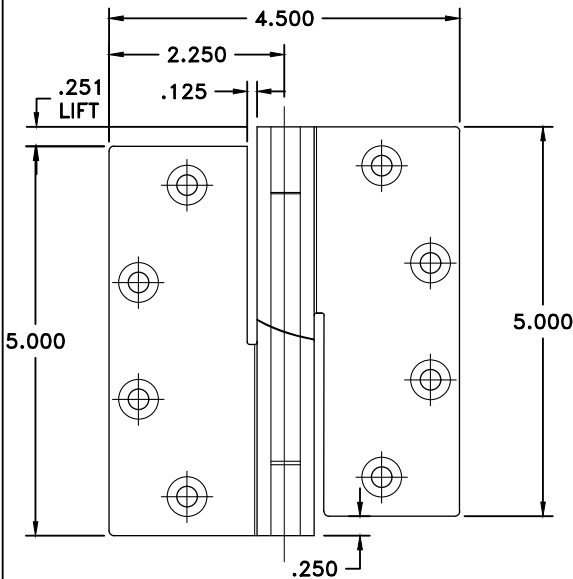
FRONT VIEW
RIGHT HAND HINGE

COUNTERSINK
FOR #12 SCREW
(8 PLACES)

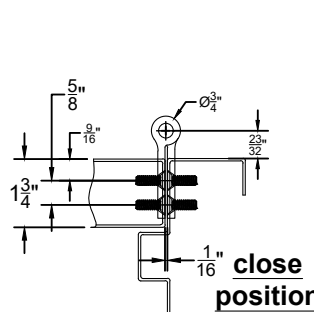


FRONT VIEW
LEFT HAND HINGE

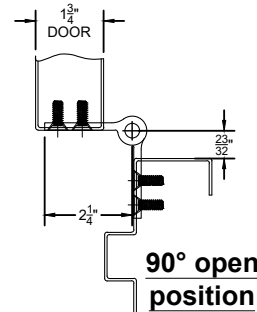
COUNTERSINK
FOR #12 SCREW
(8 PLACES)



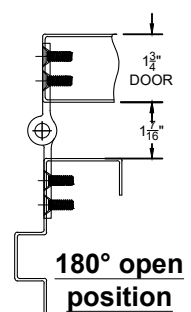
REAR VIEW
RIGHT HAND HINGE SHOWN
LEFT HAND OPPOSITE



close
position



90° open
position



180° open
position

NOTES:

- CAM LIFT PIVOT HINGE IS STAINLESS STEEL HINGE, DESIGNED TO BE INSTALLED **MORTISE**.
- WHEN SWING OPEN THE DOOR RISES TO MAX. HEIGHT OF 1/4" AT 180°.
- DOOR RATING (1-1/2 PAIRS) UP TO 300 lbs.
- MINIMUM CLEARANCE AT HEAD OF FRAME IS 3/16", FOR DOOR GREATER THAN 1-3/4", CLEARANCE IS 1/4".
- CAN BE USED ON HOLLOW METAL OR WOOD FRAMES & DOORS.
- SCREW DETAILS ARE GIVEN BELOW.
- FOR USE WITH EMI/RFI & SOUND INSULATING DOORS UTILIZING ACOUSTICAL SEALS.
- THE CAM FUNCTION IMPROVES THE SEALING CHARACTERISTICS ALONG THE DOOR PERIMETER, LIFTING AND LOWERING THE DOOR WITH THE SWING.
- HINGES ARE **HANDED**. SEE ABOVE PICTURE FOR RIGHT HAND & LEFT HAND.
 - LEFT HAND DOOR, USE "LEFT HAND" HINGE.
 - RIGHT HAND DOOR, USE "RIGHT HAND" HINGE
 - RIGHT HAND REVERSE DOOR, USE "LEFT HAND" HINGES
 - LEFT HAND REVERSE DOOR, USE "RIGHT HAND" HINGES
- 1/32" TOLERANCE ON ALL PARTS
- DO NOT SCALE DRAWING, ISOMETRIC VIEW IS FOR VISUAL REPRESENTATION.
- ALL DIMENSIONS ARE IN INCHES, UNLESS NOTED OTHERWISE.

SCREW DETAIL	
QTY	DESCRIPTION
8	12-24x3/4" PHILLIPS FLAT HEAD MACHINE SCREW, S.S.
8	#12 x1-1/2" PHILLIPS FLAT HEAD SHT. METAL SCREW, S.S.



www.abhmf.com
E-mail: abhinfo@abhmf.com
Architectural Builders Hardware Mfg., Inc.
1222 Ardmore Ave., Itasca, IL 60143
630.875.9900; FAX 800.9FAXABH (932.9224)

© 2020 ABH Mfg., Inc.
printed in USA

A953
CAM LIFT PIVOT HINGE

PAGE 1 OF 1
REVISED 06-09-22

A953 CAM LIFT PIVOT HINGE-01.DWG