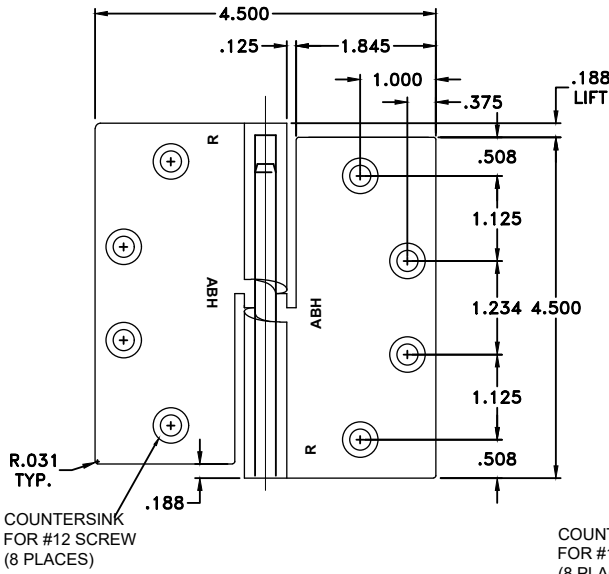
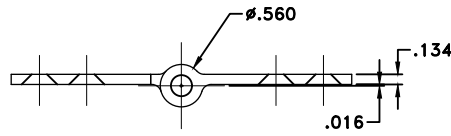
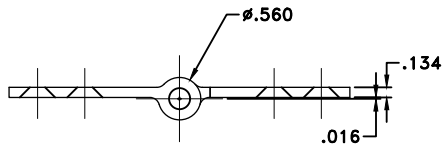
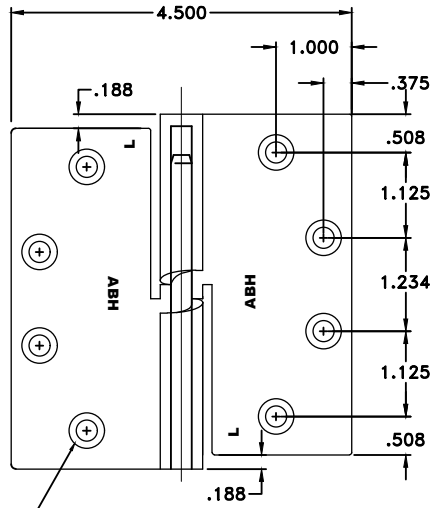


# A955 CAM LIFT HINGE - HANDED, 3/16" LIFT



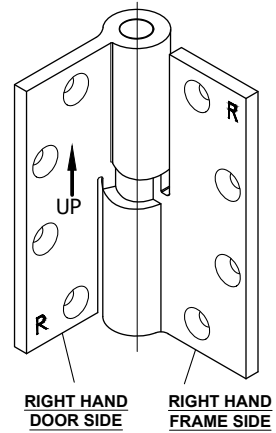
**FRONT VIEW  
RIGHT HAND HINGE**

SCALE: 1:1

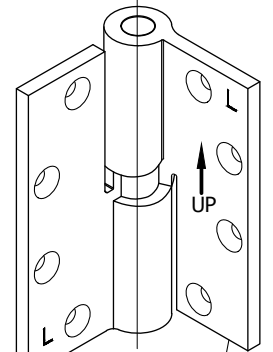


**FRONT VIEW  
LEFT HAND HINGE**

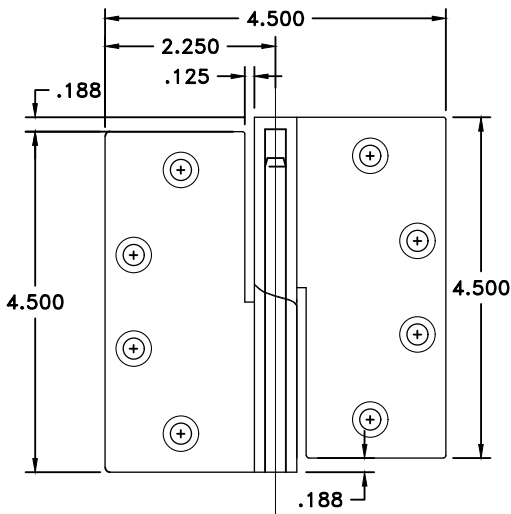
COUNTERSINK FOR #12 SCREW (8 PLACES)



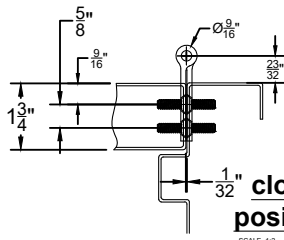
**RIGHT HAND DOOR SIDE  
RIGHT HAND FRAME SIDE**



**LEFT HAND FRAME SIDE  
LEFT HAND DOOR SIDE**

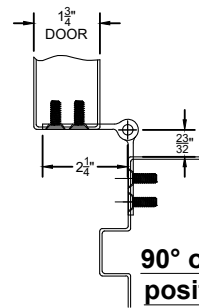


**REAR VIEW  
RIGHT HAND HINGE SHOWN  
LEFT HAND OPPOSITE**

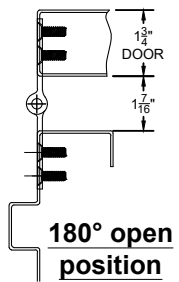


**close  
position**

SCALE: 1:2



**90° open  
position**



**180° open  
position**

**NOTES:**

- CAM LIFT PIVOT HINGE IS STAINLESS STEEL HINGE, DESIGNED TO BE INSTALLED **MORTISE**.
- WHEN SWING OPEN THE DOOR RISES TO MAX. HEIGHT OF 3/16" AT 180°.
- DOOR RATING (1-1/2 PAIRS) UP TO 200 lbs.
- MINIMUM CLEARANCE AT HEAD OF FRAME IS 3/16", FOR DOOR GREATER THAN 1-3/4", CLEARANCE IS 1/4".
- CAN BE USED ON HOLLOW METAL OR WOOD FRAMES & DOORS.
- SCREW DETAILS ARE GIVEN BELOW.
- FOR USE WITH EMI/RFI & SOUND INSULATING DOORS UTILIZING ACOUSTICAL SEALS.
- THE CAM FUNCTION IMPROVES THE SEALING CHARACTERISTICS ALONG THE DOOR PERIMETER, LIFTING AND LOWERING THE DOOR WITH THE SWING.
- HINGES ARE **HANDED**. SEE ABOVE PICTURE FOR RIGHT HAND & LEFT HAND.
  - LEFT HAND DOOR, USE "LEFT HAND" HINGE.
  - RIGHT HAND DOOR, USE "RIGHT HAND" HINGE
  - RIGHT HAND REVERSE DOOR, USE "LEFT HAND" HINGES
  - LEFT HAND REVERSE DOOR, USE "RIGHT HAND" HINGES
- 1/32" TOLERANCE ON ALL PARTS
- DO NOT SCALE DRAWING, ISOMETRIC VIEW IS FOR VISUAL REPRESENTATION.
- ALL DIMENSIONS ARE IN INCHES, UNLESS NOTED OTHERWISE.

SCREW DETAIL	
QTY	DESCRIPTION
8	12-24x3/4" PHILLIPS FLAT HEAD MACHINE SCREW, S.S.
8	#12 x1-1/2" PHILLIPS FLAT HEAD SHT. METAL SCREW, S.S.



www.abhmfg.com  
 E-mail: abhinfo@abhmfg.com  
 Architectural Builders Hardware Mfg., Inc.  
 1222 Ardmore Ave., Itasca, IL 60143  
 630.875.9900; FAX 800.9FAXABH (932.9224)

© 2020 ABH Mfg., Inc.  
 printed in USA

**A955  
CAM LIFT PIVOT HINGE**

PAGE 1 OF 1  
 REVISED 06-09-22

A955 CAM LIFT PIVOT HINGE-01.DWG