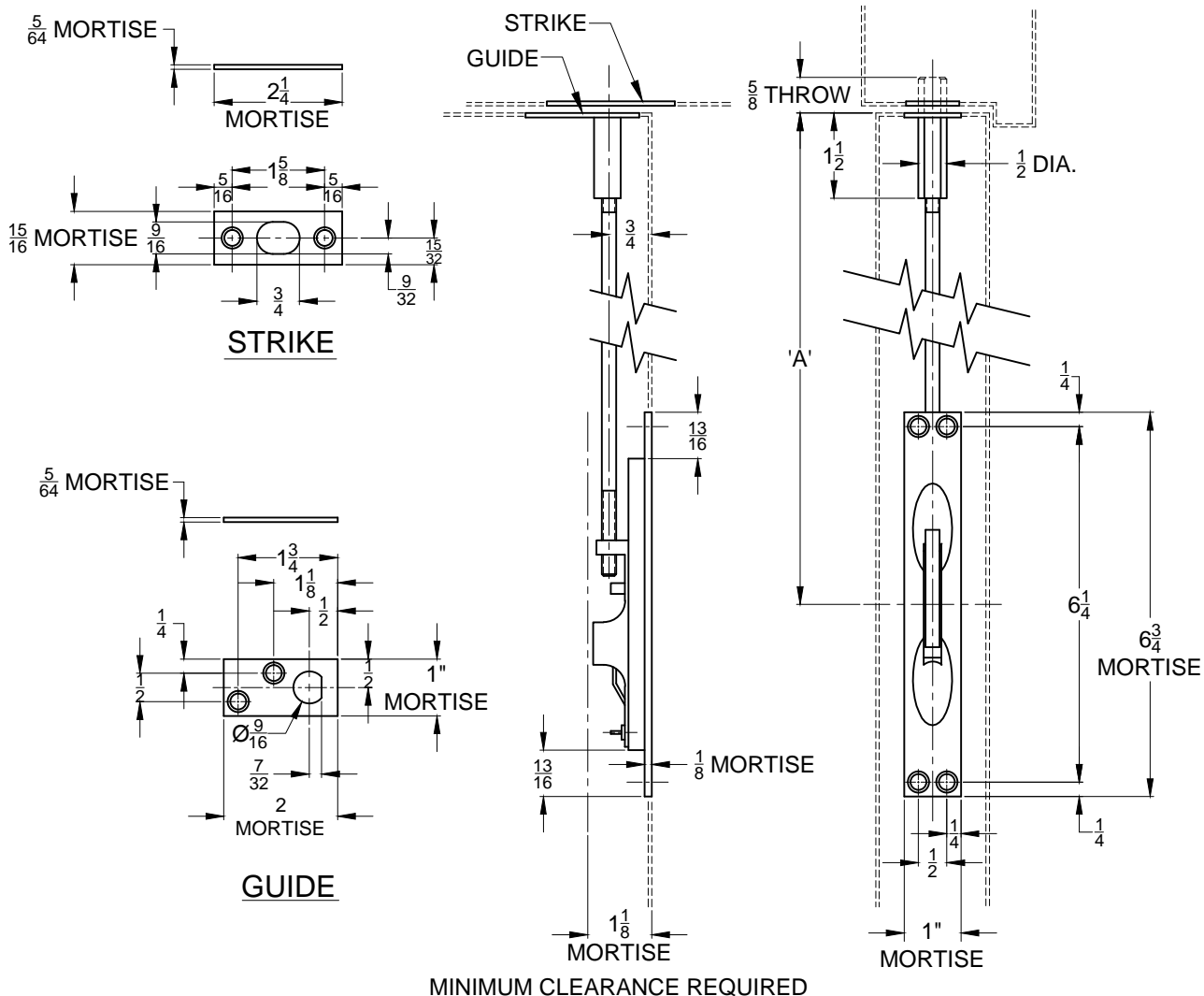


# 1855S MANUAL FLUSH BOLT

## TOP BOLT ONLY, METAL DOOR APPLICATION



<b>A</b>	<b>SPECIFY</b>						
	<b>6</b>	<b>9</b>	<b>12</b>	<b>18</b>	<b>24</b>	<b>30</b>	<b>36</b>

SCREW DETAILS: BOLT HOUSING - (4) 8 - 32 x 1-1/2" F.H. COMB SCREW  
 STRIKE - (2) 8-32 x 11/16" F.H. COMB SCREW  
 GUIDE - (2) 8-32 x 11/16" F.H. COMB SCREW



[www.abhmfg.com](http://www.abhmfg.com)  
 E-mail: [abhinfo@abhmfg.com](mailto:abhinfo@abhmfg.com)  
 Architectural Builders Hardware Mfg., Inc.  
 1222 Ardmore Ave., Itasca, IL 60143  
 630.875.9900; FAX 800.9FAXABH (932.9224)

©2016 ABH Mfg., Inc.  
 printed in USA

1855S-00.DWG

# 1855S

PAGE 1 OF 1  
 ISSUED 06-17-16