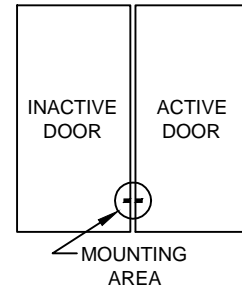
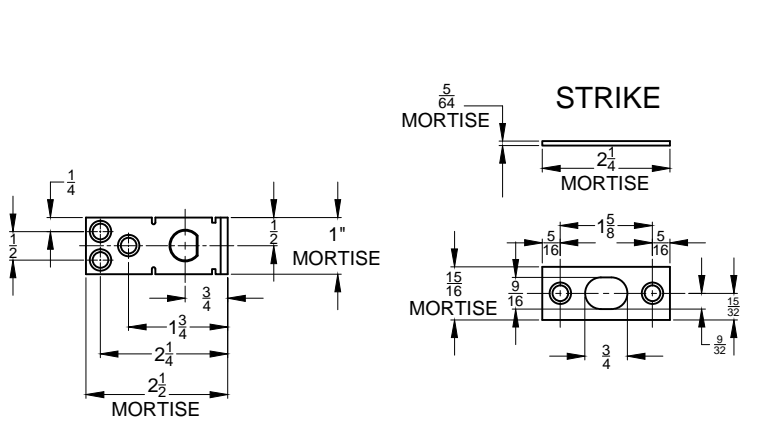
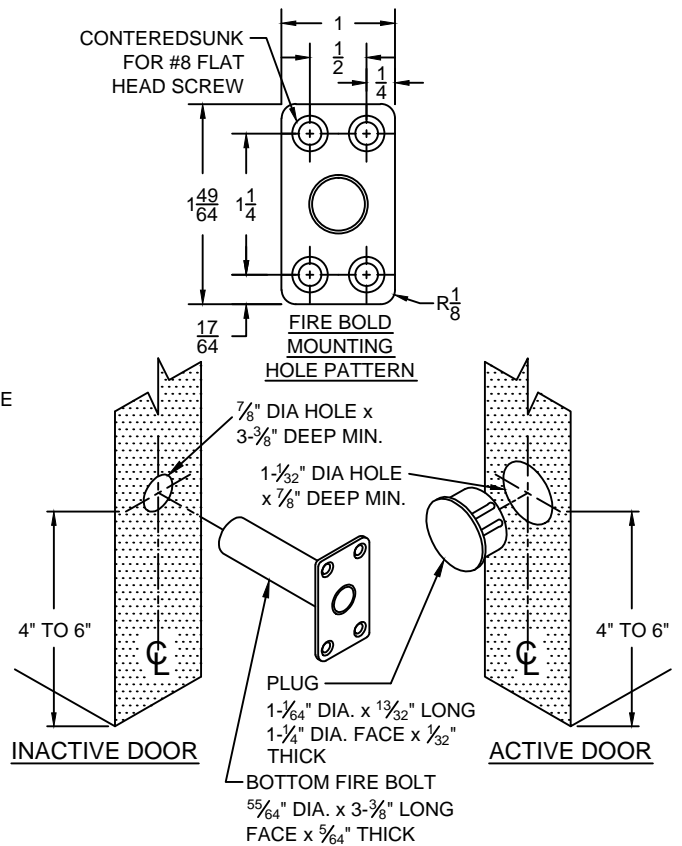
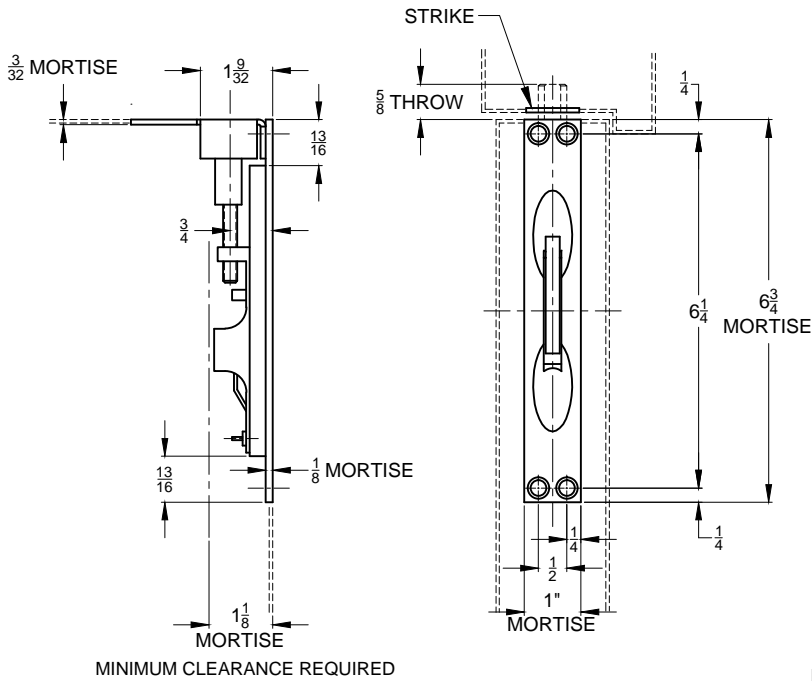


# 1856 MANUAL FLUSH BOLT TOP BOLT ONLY WITH FIRE BOLT (WOOD DOOR APPLICATION)



## 1858 BOTTOM FIRE BOLT



**IMPORTANT: THE 1858 WILL PROJECT DURING A FIRE.  
DO NOT COVER WITH ANY EDGE MOUNTED DOOR HARDWARE.**

SCREW DETAILS: BOLT HOUSING - (5) 8-32 x 1-1/2" F.H. COMB SCREW  
STRIKE - (2) 8-32 x 11/16" F.H. COMB SCREW



® www.abhmfg.com  
E-mail: abhinfo@abhmfg.com  
Architectural Builders Hardware Mfg., Inc.  
1222 Ardmore Ave., Itasca, IL 60143  
630.875.9900; FAX 800.9FAXABH (932.9224)

©2016 ABH Mfg., Inc.  
printed in USA

1856-00.DWG

# 1856

PAGE 1 OF 1  
ISSUED 06-17-16