

1858 UNIVERSAL BOTTOM FIRE BOLT FOR WOOD & METAL DOORS

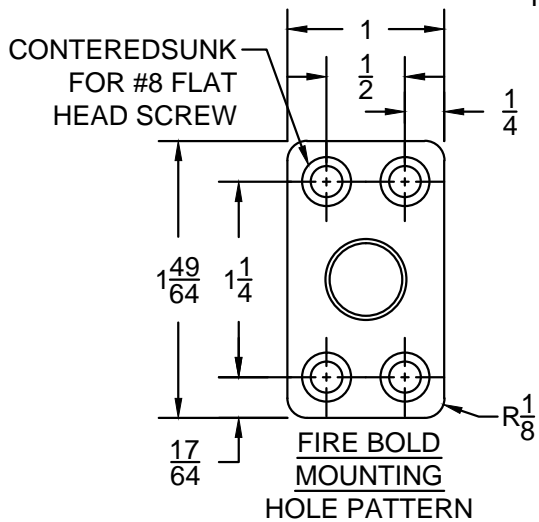
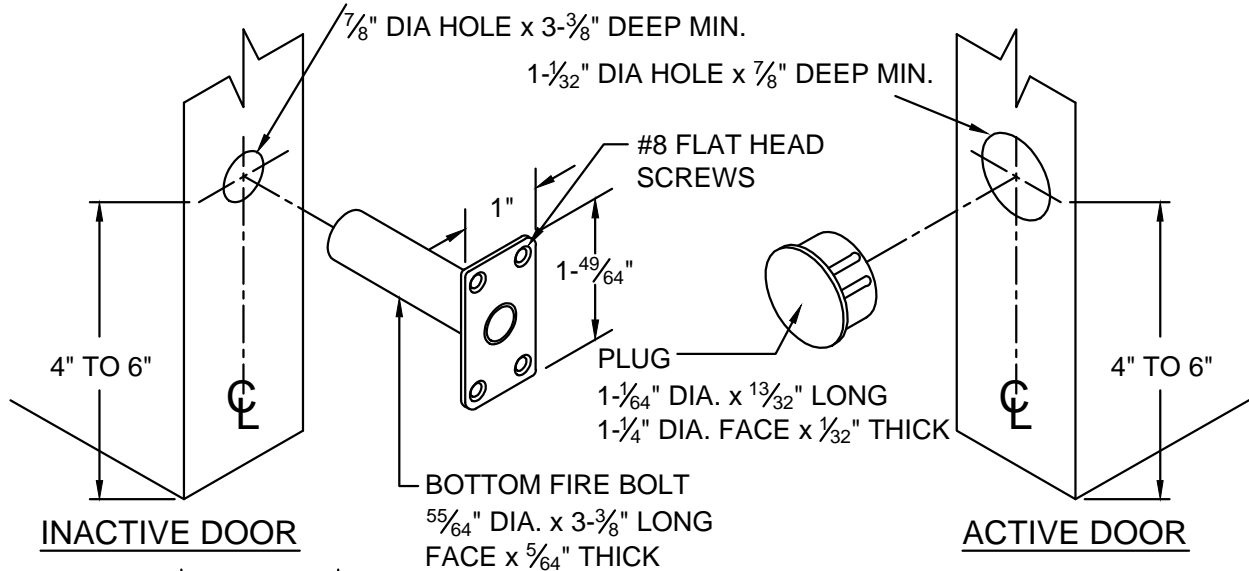
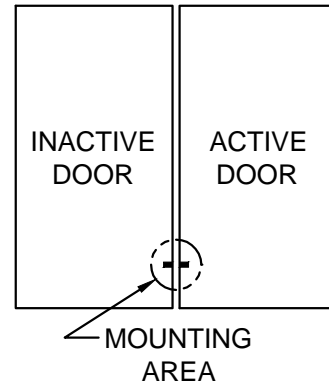
INSTALLATION INSTRUCTION

INACTIVE DOOR

1. MEASURE 4" TO 6" FROM BOTTOM OF THE INACTIVE DOOR.
2. DRILL A $\frac{7}{8}$ " DIA. HOLE x $3\text{-}\frac{3}{8}$ " DEEP FOR BOTTOM FIRE BOLT.
3. INSTALL BOTTOM FIRE BOLT BY USING (4) #8 FLAT HEAD SCREWS.

ACTIVE DOOR

1. DRILL A $1\text{-}\frac{1}{32}$ " DIA. HOLE x $\frac{7}{8}$ " DEEP FOR PLUG AT THE SAME HEIGHT AS THE BOTTOM FIRE BOLT.
2. INSTALL PLUG IN DOOR BY STRIKING WITH A HAMMER.



NOTE:
THERMAL PIN TO BE CENTERED IN DOOR THICKNESS; GAP BETWEEN THERMAL PIN AND RECEIVING HOLE $\frac{1}{2}$ " MAX.

SPECIFICATIONS:
MATERIAL: STAINLESS STEEL

FEATURES:

- ELIMINATES THE BOTTOM AUTOMATIC FLUSH BOLT AND DUST PROOF STRIKE.
- WHEN DOOR IS SUBJECT TO 230°F THE PLUG AND BLACK PLASTIC COVER WILL MELT ALLOWING THE BOLT TO PROJECT, LOCKING THE LEAVES TOGETHER.
- UL LISTED ONLY WHEN USED WITH AUTOMATIC TOP BOLT.

AVAILABLE FINISHES:

US26D / 626	US26 / 625
US10B / 613	US10 / 612
US4 / 606	US3 / 605

IMPORTANT: THE 1858 WILL PROJECT DURING A FIRE.
DO NOT COVER WITH ANY EDGE MOUNTED DOOR HARDWARE.

SCREW DETAILS:

#8 - 32 x $\frac{3}{4}$ " AB - UNDERCUT FLAT COUNTERSUNK HEAD, DUAL PURPOSE MACHINE/TAPPING SCREW, TOTAL 4 PCS.



www.abhmfg.com
E-mail: abhinfo@abhmfg.com
Architectural Builders Hardware Mfg., Inc.
1222 Ardmore Ave., Itasca, IL 60143
630.875.9900; FAX 800.9FAXABH (932.9224)

©2016 ABH Mfg., Inc.
printed in USA

1858-00.DWG

1858

PAGE 1 OF 1
ISSUED 06-17-16