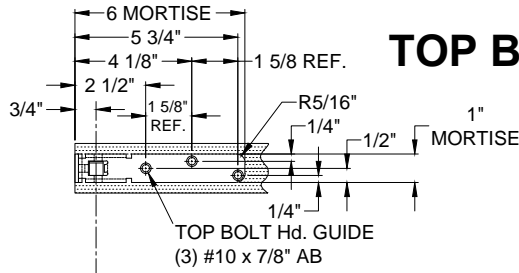
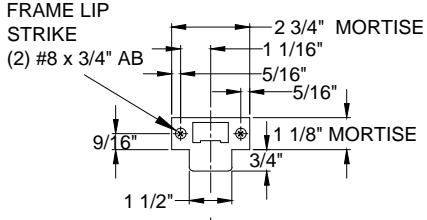
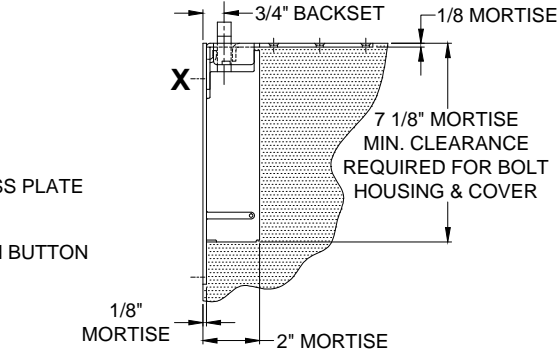
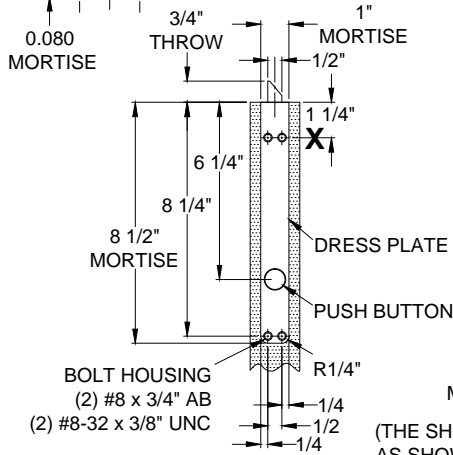


# 1864P COMBINATION FLUSH BOLT SET

## CONSTANT LATCHING TOP & AUTOMATIC LATCHING BOTTOM, WOOD DOOR APPLICATION



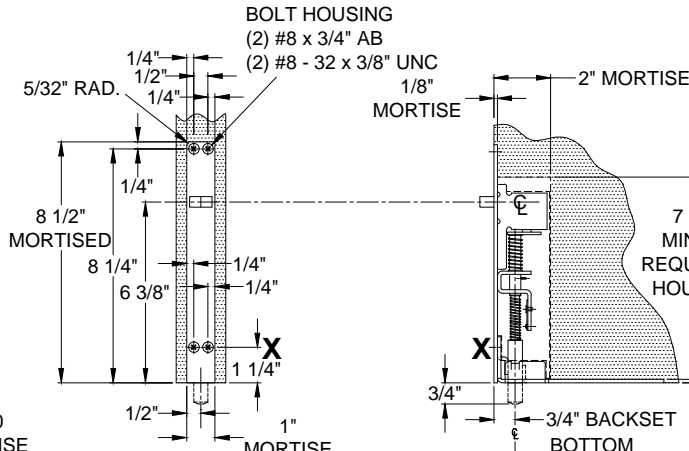
### TOP BOLT SHOWN



NOTE:  
WHEN TWO POINT LATCH ENGAGING ACTION IS REQUIRED, IT IS RECOMMENDED THAT ONE CONSTANT SELF LATCHING FLUSH BOLT BE USED WITH ONE AUTOMATIC FLUSH BOLT. CONSTANT LATCHING FLUSH BOLT SHOULD BE INSTALLED AT THE TOP OF THE DOOR & THE AUTOMATIC LATCHING FLUSH BOLT BE MOUNTED AT BOTTOM OF DOOR.

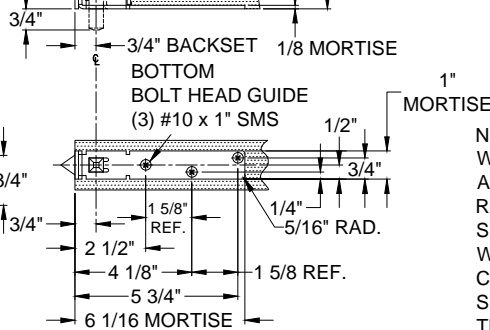
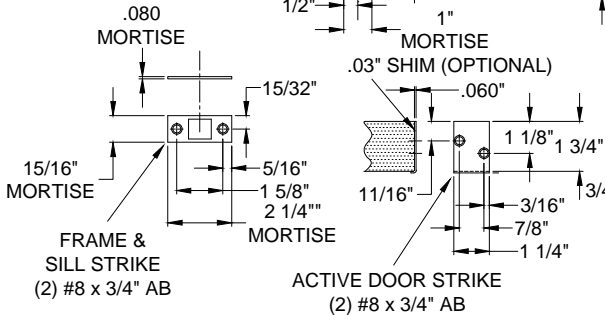
**SCREW DETAILS:**

- #8-32 x 3/8" UNC - FLAT COUNTERSUNK HEAD MACHINE SCREW, TOTAL 2 PCS.
- #8-32 x 3/4" AB - UNDERCUT FLAT COUNTERSUNK HEAD, DUAL PURPOSE MACHINE/TAPPING SCREW, TOTAL 4 PCS.
- #10 x 7/8" AB - FLAT COUNTERSUNK HEAD TAPPING SCREW, TOTAL 3 PCS.



NOTE:  
THE SHORT SCREWS ARE SEATED INTO THE HOLES OF THE BOLT HOUSING AS SHOWN MARKED "X", WHERE FACES THE BOLT EXTENSION ROD.

### BOTTOM BOLT SHOWN



NOTE:  
WHEN TWO POINT LATCH ENGAGING ACTION IS REQUIRED, IT IS RECOMMENDED THAT ONE CONSTANT SELF LATCHING FLUSH BOLT BE USED WITH ONE AUTOMATIC FLUSH BOLT. CONSTANT LATCHING FLUSH BOLT SHOULD BE INSTALLED AT THE TOP OF THE DOOR & THE AUTOMATIC LATCHING FLUSH BOLT BE MOUNTED AT BOTTOM OF DOOR.

**SCREW DETAILS:**

- #8 - 32 x 3/8" UNC - FLAT COUNTERSUNK HEAD MACHINE SCREW, TOTAL 2 PCS.
- #8 - 32 x 3/4" AB - UNDERCUT FLAT COUNTERSUNK HEAD, DUAL PURPOSE MACHINE/TAPPING SCREW, TOTAL 6 PCS.
- #10 - 32 x 3/4" AB - FLAT COUNTERSUNK HEAD TAPPING SCREW, TOTAL 3 PCS.



www.abhmfg.com

E-mail: abhinfo@abhmfg.com

Architectural Builders Hardware Mfg., Inc.

1222 Ardmore Ave., Itasca, IL 60143

630.875.9900; FAX 800.9FAXABH (932.9224)

©2017 ABH Mfg., Inc.  
printed in USA

1864P

PAGE 1 OF 1  
ISSUED 01-18-17

1864P-01.DWG