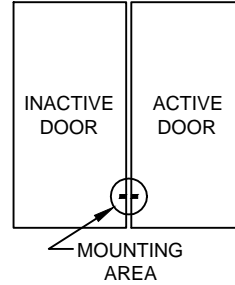
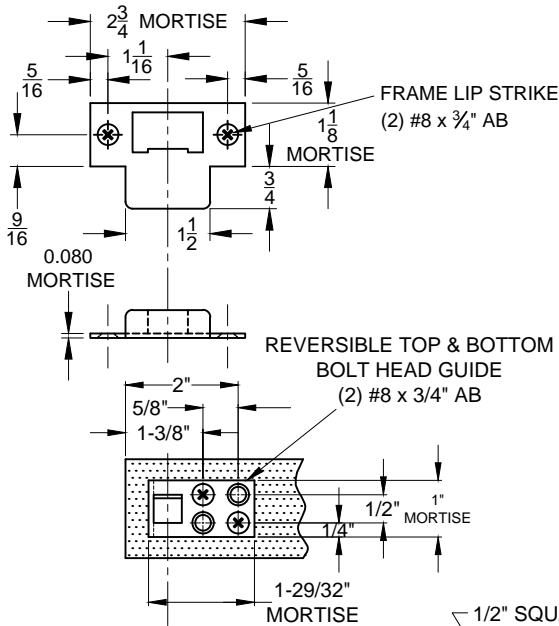
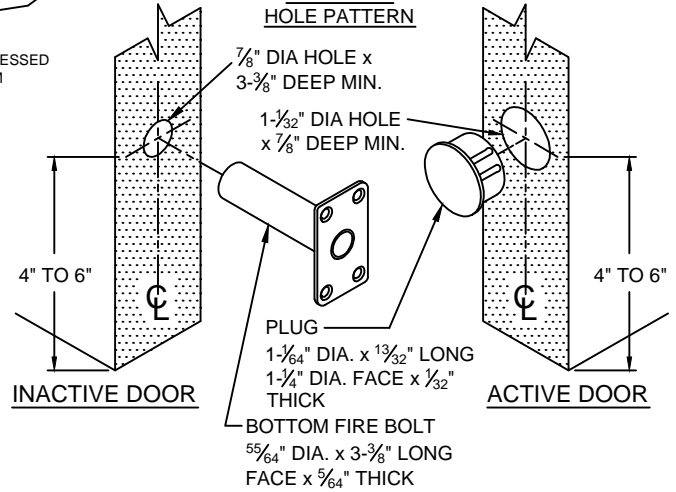
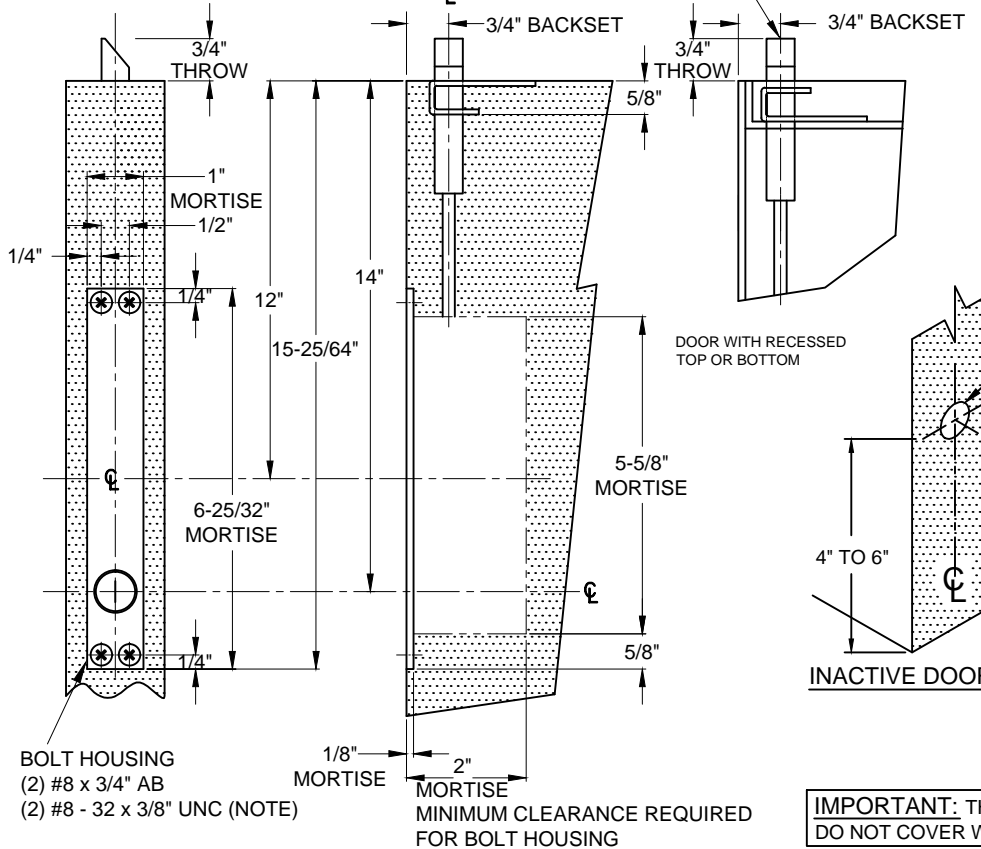
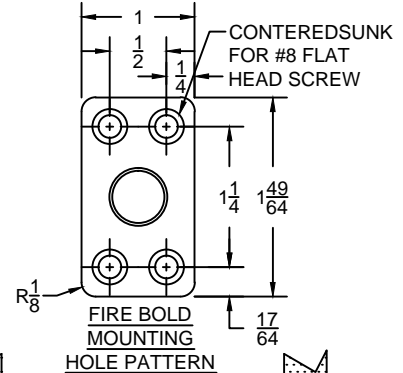


1865 CONSTANT LATCHING TOP BOLT ONLY WITH BOTTOM FIRE BOLT (FOR METAL DOOR APPLICATION)

NOTE:
WHEN TWO POINT LATCH ENGAGING ACTION IS REQUIRED, IT IS RECOMMENDED THAT ONE CONSTANT SELF LATCHING FLUSH BOLT BE USED WITH ONE AUTOMATIC FLUSH BOLT. CONSTANT LATCHING FLUSH BOLT SHOULD BE INSTALLED AT THE TOP OF THE DOOR & THE AUTOMATIC LATCHING FLUSH BOLT BE MOUNTED AT BOTTOM OF DOOR.



1858 BOTTOM FIRE BOLT



IMPORTANT: THE 1858 WILL PROJECT DURING A FIRE. DO NOT COVER WITH ANY EDGE MOUNTED DOOR HARDWARE.

SCREW DETAILS: #8 - 32 x 3/8" UNC - FLAT COUNTERSUNK HEAD MACHINE SCREW, TOTAL 2 PCS.

#8 - 32 x 3/4" AB - UNDERCUT FLAT COUNTERSUNK HEAD, DUAL PURPOSE MACHINE/TAPPING SCREW, TOTAL 12 PCS.



® www.abhmfg.com
E-mail: abhinfo@abhmfg.com
Architectural Builders Hardware Mfg., Inc.
1222 Ardmore Ave., Itasca, IL 60143
630.875.9900; FAX 800.9FAXABH (932.9224)

©2016 ABH Mfg., Inc.
printed in USA

1865-00.DWG

1865

PAGE 1 OF 1
ISSUED 06-17-16