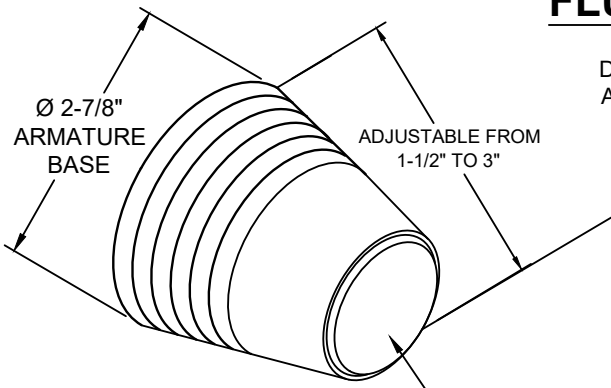
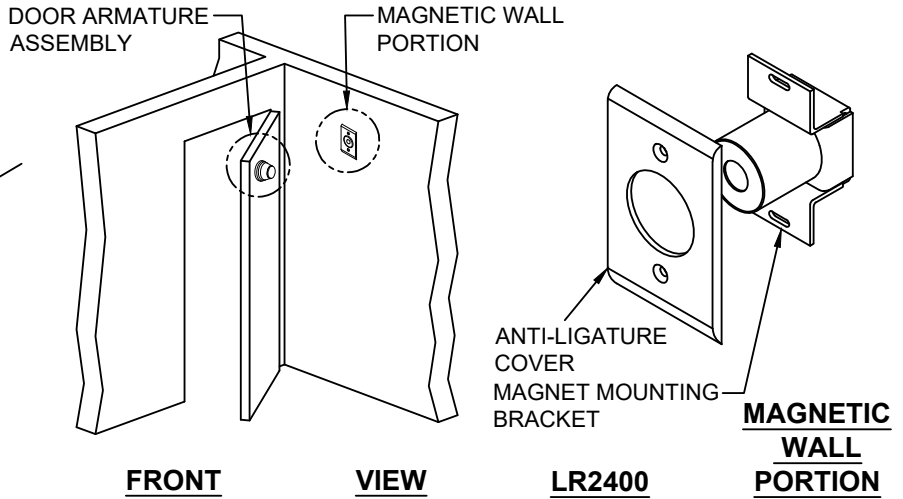


2400LR LIGATURE-RESISTANT ELECTROMAGNETIC DOOR HOLDER, FLUSH WALL MOUNT



ARMATURE HEAD HAS 6° ADJUSTMENT BUILT-IN FOR MAXIMUM FLEXIBILITY FOR UNEVEN WALL CONDITIONS

DOOR ARMATURE ASSEMBLY

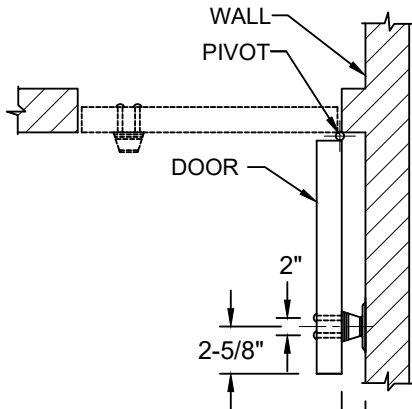


FRONT VIEW

LR2400

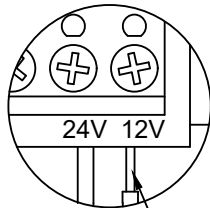
MAGNETIC WALL PORTION

MAGNETIC WALL PORTION



3-1/4" MAX. (6) EXT'S. ADDED OR
1-3/4" MIN. (6) EXT'S. REMOVED

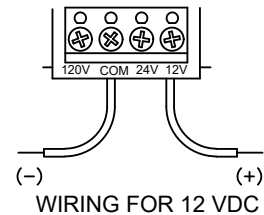
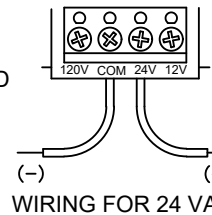
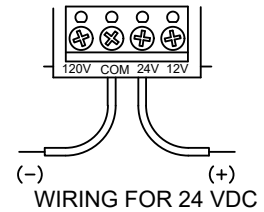
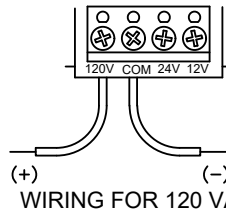
TOP VIEW



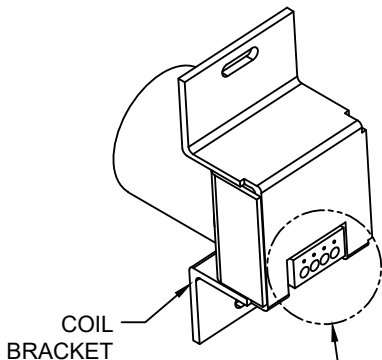
ELECTRICAL DATA:

THIS PRODUCT IS AN ELECTROMAGNETIC HOLDING DEVICE, INTENDED FOR USE IN FIRE DOOR APPLICATIONS, BUT CAN BE USED FOR OTHER MAGNETIC APPLICATIONS. WIRE INTO PROPER TERMINALS AS NOTED BELOW:

SERIES	VOLTAGE	DC/mA	DC/VA	AC/mA	AC/VA	TERMINALS
LR2400	12 DC	60	.72			Com & 12 v
	24 AC/DC	30	.72	30	.72	Com & 24 v
	120 AC			30	3.60	Com & 120 v



CAUTION:
DO NOT LEAVE WIRE EXPOSED



SEE DIAGRAMS TO THE RIGHT FOR APPROPRIATE WIRING

SCREW DETAIL		
	QTY	SCREW
MAGNETIC WALL PORTION	2	6-32 x 1" OVAL HEAD MACHINE SCREW
MAGNETIC COVER	2	6-32 x 3/4" S.S. PIN TORX FLAT HEAD MACHINE SCREW
DOOR ARMATURE	2	1/4-20 x 2" S.S. PIN TORX ROUND HEAD MACHINE SCREW

2400LR-1-02.DWG

ABH
MANUFACTURING INC.

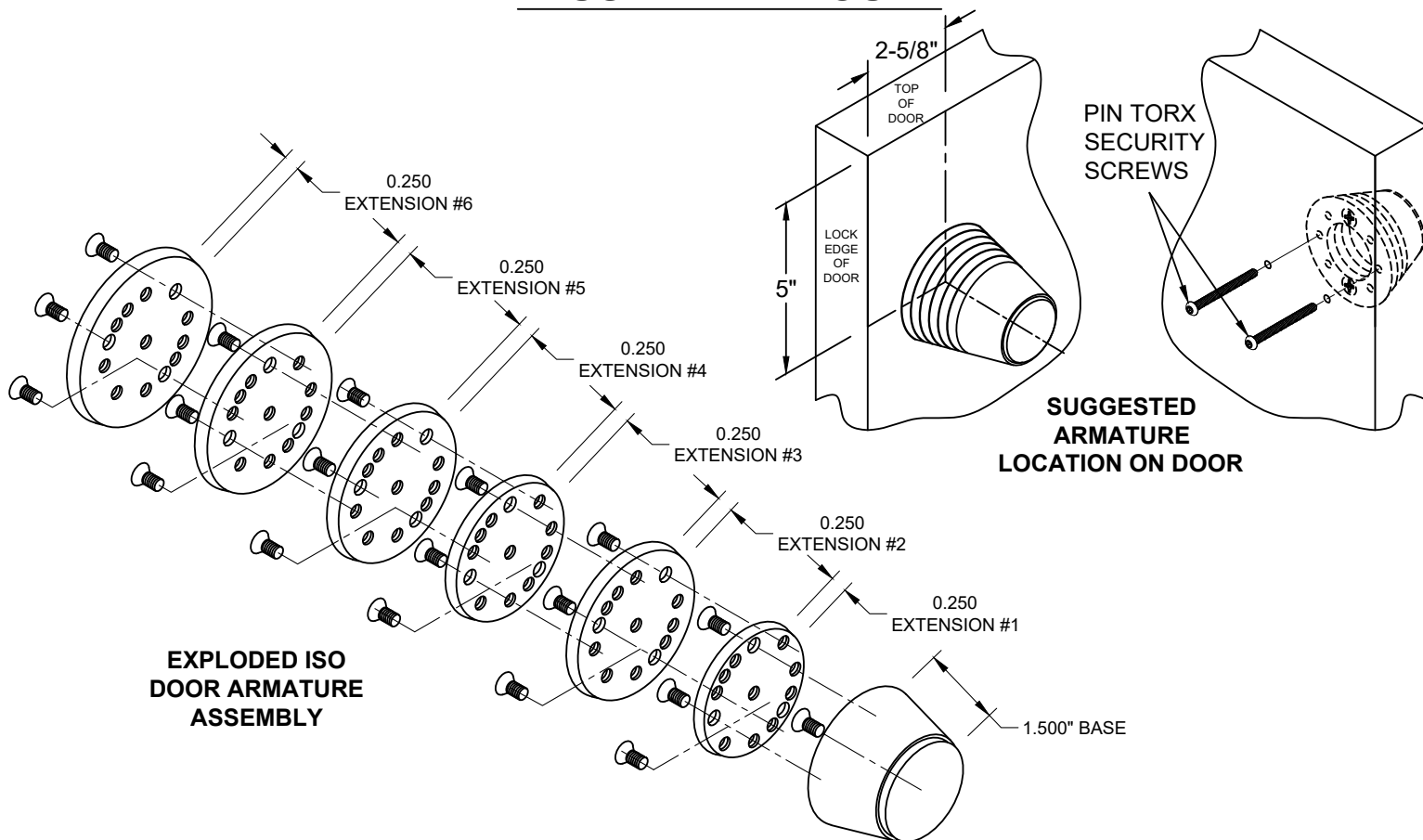
www.abhmfmg.com
E-mail: abhinfo@abhmfmg.com
Architectural Builders Hardware Mfg., Inc.
1222 Ardmore Ave., Itasca, IL 60143
630.875.9900; FAX 800.9FAXABH (932.9224)

© 2022 ABH Mfg., Inc.
printed in USA

2400LR

PAGE 1 OF 2
REVISED 01-05-22

2400LR LIGATURE-RESISTANT ELECTROMAGNETIC DOOR HOLDER, FLUSH WALL MOUNT



WALL PORTION INSTALLATION:

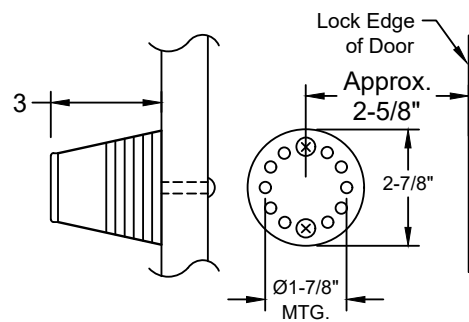
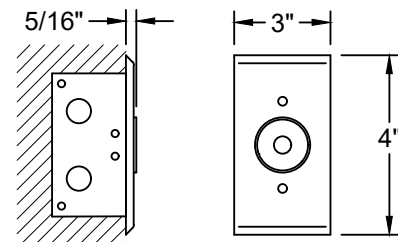
1. Distance from door to wall dimension to be between 3-1/4" to 1-1/2".
2. Suggested vertical location is on top approximately 5" from top of the door.
3. Total projection of door hardware must not be more than 1-1/2" to 3-1/4" on the pull side of door. depending on how many extensions are removed.
4. Proper electrical wire routing must be done before installing electrical box.
5. The electrical box should be installed with reinforcement to withstand a minimum 50 lb. pull (not provided with unit).

IMPORTANT : a. Check that power voltage equals one of the voltages labeled on back of magnet.
b. Consult " ELECTRICAL DATA" on page 1.

DOOR ARMATURE INSTALLATION:

1. Place and center the door armature on the surface of the magnet.
2. Close the door so the base lays flat against the door.
3. While keeping slight pressure on the door, mark the circumference of the armature base.
4. Draw a horizontal line across the door armature base mark.
5. Measure 7/16" for the first hole and then 1-7/8" for the second hole.
6. Drill through the door where the two marks are located with 5/16" drill. Fasten armature with the (2) 1/4-20 machine screws provided.

NOTE: 1. All dimensions are provided in inches, unless noted otherwise.



2400LR-2-02.DWG

ABH
MANUFACTURING INC.

www.abhmfg.com
E-mail: abhinfo@abhmfg.com
Architectural Builders Hardware Mfg., Inc.
1222 Ardmore Ave., Itasca, IL 60143
630.875.9900; FAX 800.9FAXABH (932.9224)

© 2022 ABH Mfg., Inc.
printed in USA

2400LR

PAGE 2 OF 2
REVISED 01-05-22